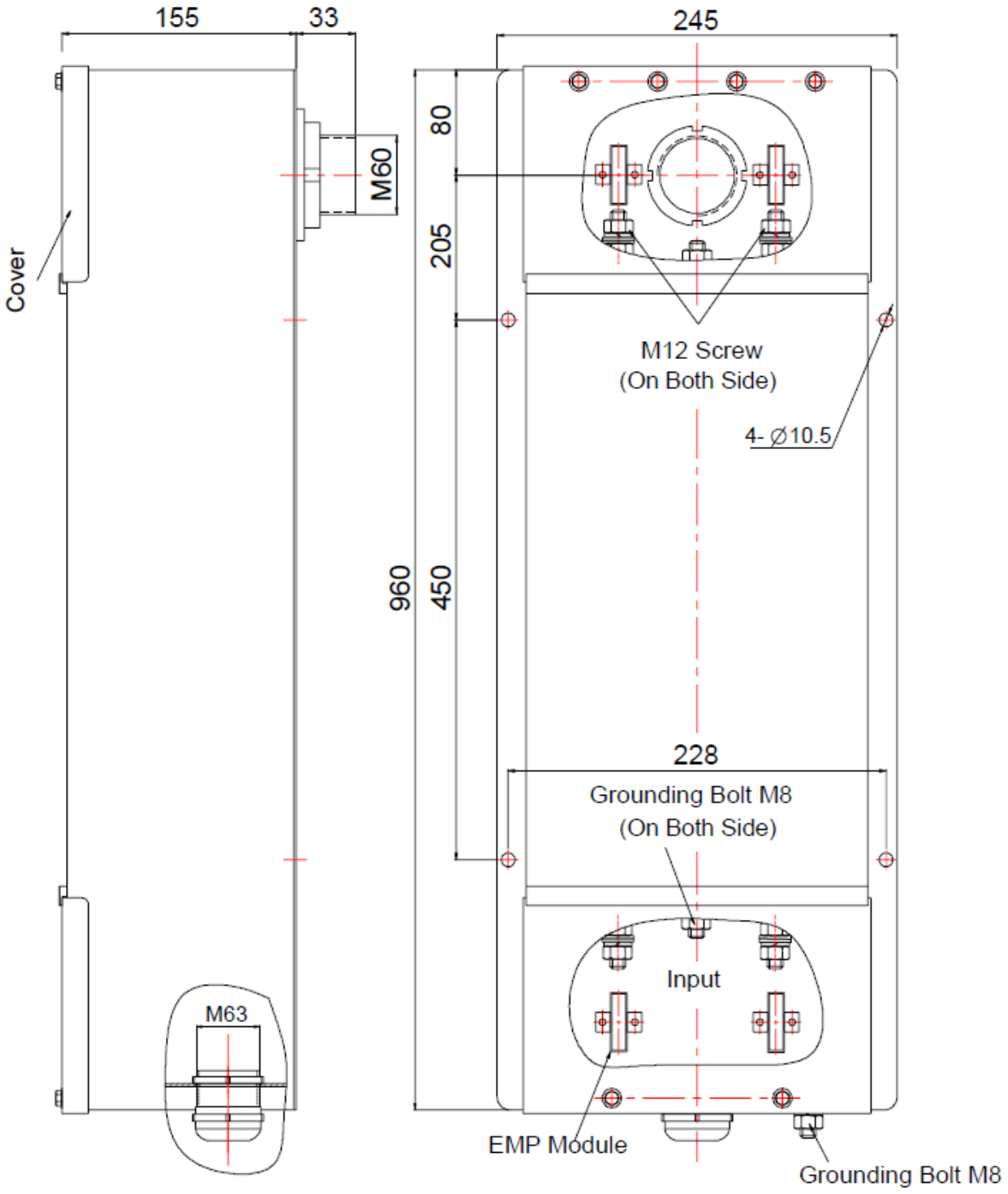




E86C2x250

Power Line EMI Filter

1. Dimensions (mm)





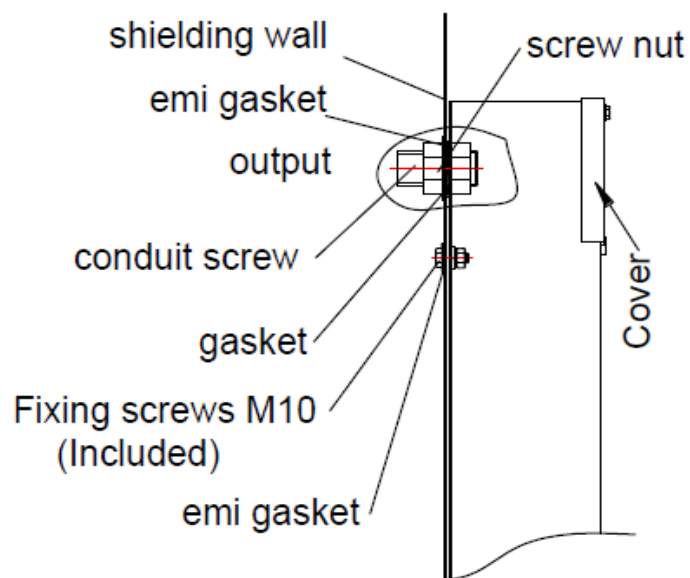
2. Specifications

Rated Voltage	277VAC/500VDC
Operating Frequency	0-60Hz
Rated Current	2x250A
Shielding Effectiveness	100dB, 14kHz-40GHz
Climatic Category	25/085/21

3. Typical Applications

Designed to meet point-of-entry requirements of MIL-STD-188-125-1 for short and intermediate pulses, in addition to high insertion loss performance and/or shielding effectiveness for SCIF or TEMPEST.

4. Installation Diagram





5. Accessories List

- ① M60 Conduit Screw: 1pc
- ② Gasket 60: 1pc
- ③ M60 Screw Nut: 1pc
- ④ EMI Gasket 60: 1pc
- ⑤ Certificate: 1pc
- ⑥ Cable Gland M63: 1pc