

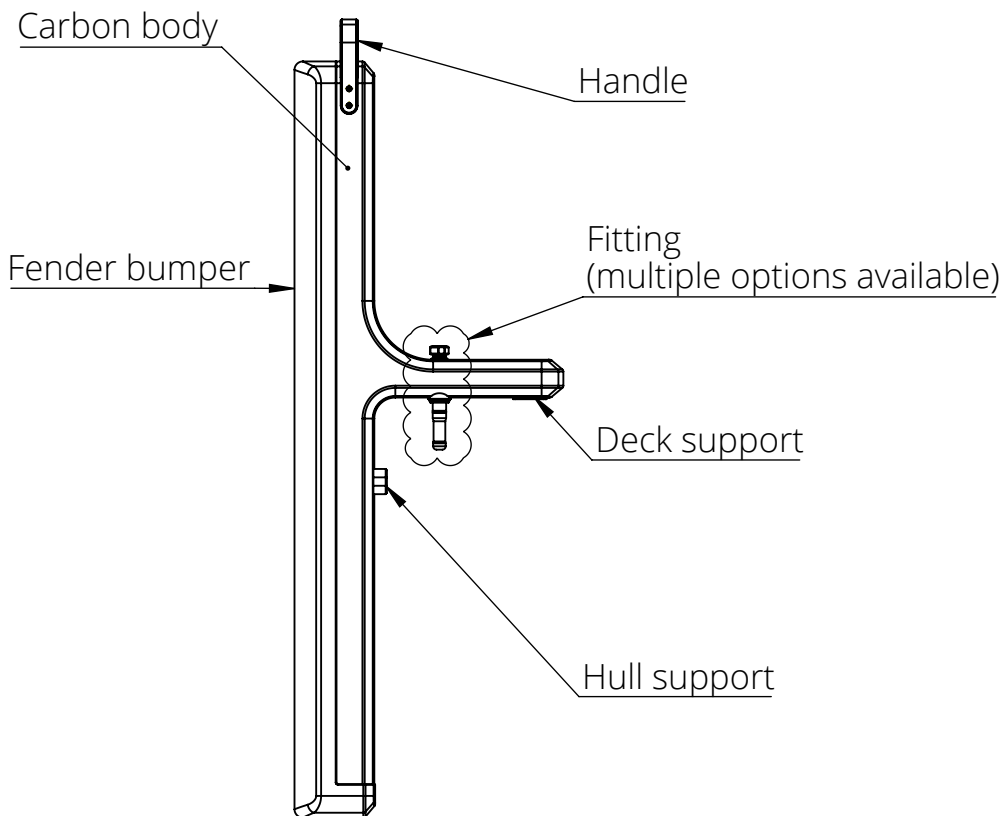
Essential Fender standard

Material: Carbon fiber

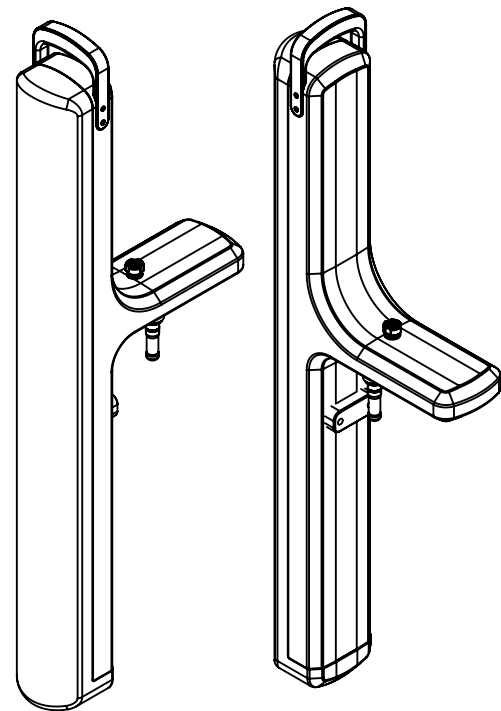
2000002798

Description

The essential fender is our most versatile fender option. Its installation setup can be adapted to many deck situations and the design allows for a custom leg length, may the default reach of 1meter below deck be not be sufficient or too long for the intended use.



Side view



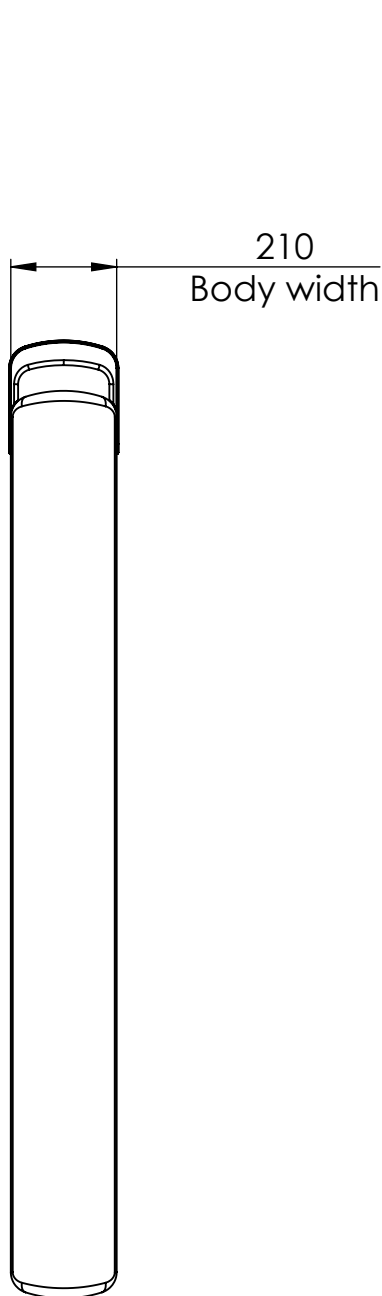
Isometric views

see drawing on next page for dimensions

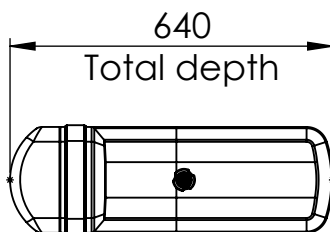
Essential Fender standard

Material: Stainless Steel 316L

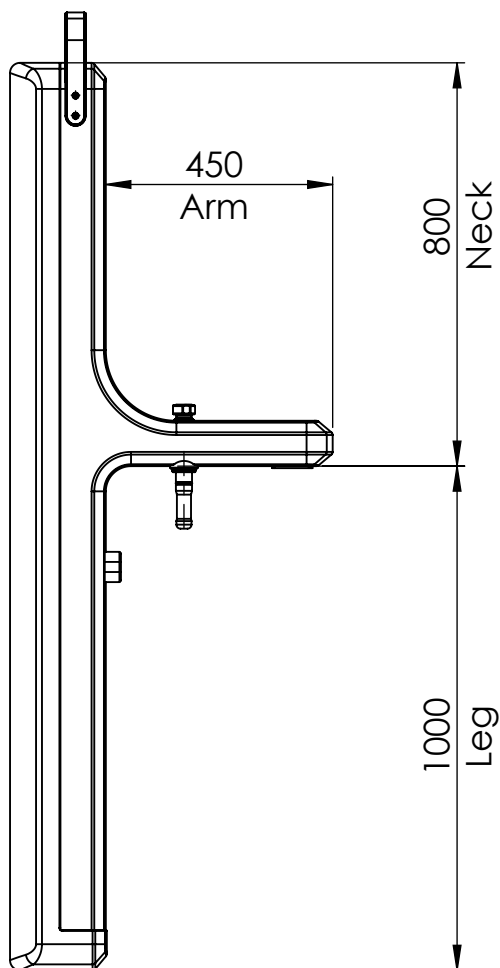
2000002798



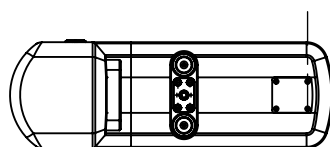
Front view



Top view



Side view



Bottom view