

OCULUS | SDI® 4/BIOM® 5

Wide Angle Observation



 OCULUS®

We focus on progress

The OCULUS BIOM® 5

Perfect View for Non-Contact Wide Angle Observation

- > The OCULUS BIOM® was a revolution in vitreoretinal surgery and forever changed fundus viewing.
 - > Now, 25 years later, the evolution continues.
- > The BIOM® 5 series continuously incorporates the principle of indirect ophthalmoscopy in the operating microscope.

Enlarge Your
Perspective!



The Next Evolution in Non-Contact Wide Angle Observation



> Intelligent activation of the SDI® 4c

Efficiency Meets Function

Surgeons appreciate the easy handling of the new BIOM® 5. While observing the vitreous and the fundus the BIOM® 5 is aligned coaxially with the operating microscope. During extraocular phases of surgery it is swung out of the observation beam while the inverting action of the SDI® is neutralised: Automatically, by a surgeon controlled footswitch or manually.

Intelligent

The convenience of automatic inversion provided by the SDI® 4c ensures the surgeon's view is always orientated properly. This is accomplished by OCULUS' patented design, utilising a fully autoclavable micro switch.

BIOM® 5c (With Electronic Focus)

When used with the SDI® 4c the BIOM® 5c offers the convenience of electronic foot pedal focusing and intelligent and automatic image inversion.



> BIOM® 5c in working position

OCULUS BIOM® 5

The Advantages



Slim and Sleek

The slim and open design is lightweight and increases accessibility for the surgeon's hands and instruments as well as reprocessing. Space consumption in the operating field is also minimised.



Optimized Surgical Efficiency

The new reduction lens is designed to optimise the view of the retina and the limbus without the need to refocus during extraocular phases of surgery.



Precision Engineered for Maximum Accuracy

OCULUS' high design and manufacturing standards ensure greater stability and precision. Selected materials, including titanium, offer increased durability, with excellent resistance to today's rigorous and sometimes harsh sterilisation methods.



Wide-Field in High Definition

The new OCULUS BIOM® HD Disposable Lens is designed to provide superior clarity with wide-angle viewing. This unique design also provides high definition during high magnification, reducing the necessity of a separate lens for macula work.



Compatibility and Continuity

The BIOM® 5 is interchangeable with most accessories of the earlier BIOM® 3 and BIOM® 4 versions.

Still the Best: OCULUS SDI® 4

Stereoscopic Diagonal Inverter

- > High transmission glass optics
 - > Slim design for reduced microscope stack height
- > Integrates into most ophthalmic microscopes

Automatic Inversion

- Intelligent automatic inversion activated by the position of the BIOM® 5c
- Surgeon controlled electronic focus when combined with the BIOM® 5c
- Multiple BIOM® connectors for increased flexibility and convenience



> SDI® 4c

Motorised Inversion

- Surgeon controlled electronic inversion
- Integration into most microscope foot pedals
- For use with the BIOM® 5m



> SDI® 4e

Manual Inversion

- For use with the BIOM® 5m
- No power supply, cables or foot pedal required



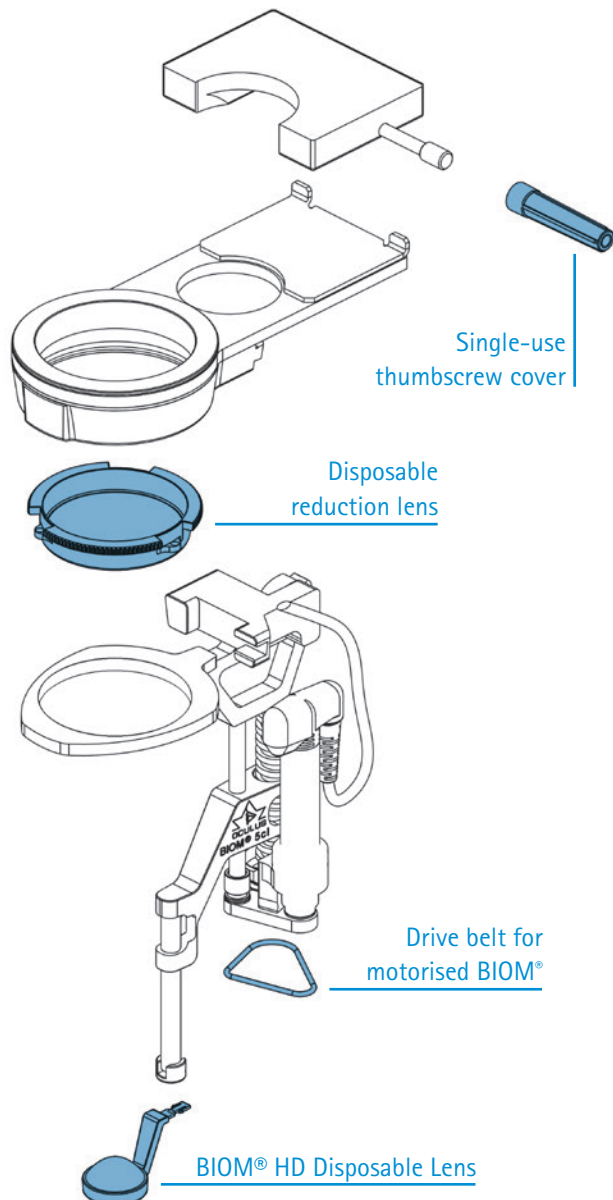
> SDI® 4m

The New OCULUS BIOM[®] Optic Set

Now Available

The new OCULUS BIOM[®] HD Disposable Lens combines an extremely wide field of view with high definition clarity. This makes it ideal for all stages of vitreoretinal surgery including macula viewing under high magnification.

- New innovative single-use design by OCULUS ensures a perfect view in every case
- 130° wide angle field of view
- Outstanding resolution in periphery – whether in a fluid filled eye or under air
- HD clarity under high magnification reduces the need for a contact lens when working in the macula region
- Superb depth of field – even under high magnification
- Single-use design for increased O.R. efficiency and lower costs
- Compatible with all OCULUS BIOM[®] 3/4/5



> The convenient and sterile blister package is easy to handle. It includes thumbscrew cover and drive belts for the motorised BIOM[®] version.

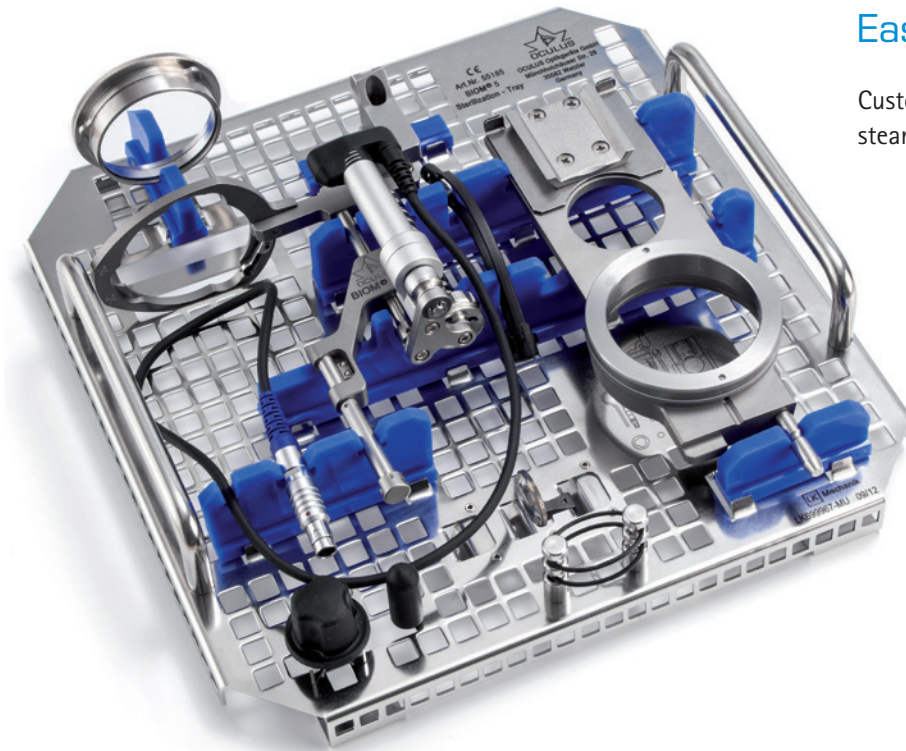


> BIOM[®] HD Disposable Lens: New innovative design ensures a perfect view in every case.

BIOM® 5 Accessories

Easy Sterilisation

Customized sterilisation tray for all steam autoclavable BIOM® 5 parts.



> Complete sterilisation container packed with BIOM® 5

OCULUS SDI® 4 / BIOM® 5

Wide Variety of BIOM® Lenses

	Max. observation angle	Outer diameter	Steam autoclavable with temperature of	Features
Mini Wide Field Lens	approx. 70°	12 mm	134° C	small / deep seated or infants' eye
Hi Res Macula Lens	approx. 60°	19 mm	134° C	for high magnification
90 D Lens	approx. 90°	19 mm	134° C	intermediate field
Wide Field Enhanced Lens	approx. 120°	19 mm	134° C	wide field
Wide Field High Definition Lens	approx. 60° - 125°	20 mm	134° C	high resolution combined with wide field of view

Combinations of BIOM® Optic Sets (disposable)

Objective lens	BIOM®	BIOM® Optic Set (disposable)
f = 175 mm	BIOM® 3 m/c, 4 m/c, 5 m/c	HD Professional for f = 175 mm
f = 200 mm	BIOM® 3 ml/cl, 4 ml/cl, 5 ml/cl	HD Professional for f = 200 mm
	BIOM® 3 m/c, 4 m/c, 5 m/c	HD Flex

Adaptions

SDI® 4/BIOM® 5 adaptations are currently available for the following microscope types:	
Kaps	SOM
Leica	M500/M501, M620, M650, M690, M841, M820, M822*, M844*
Möller	Ophtamic 900, Hi-R 900, EOS 900, Allegra 900, Allegra 590
Takagi	OM-18, OM-8
Topcon	OMS-110, OMS-600, OMS-610, OMS-650, OMS-710, OMS-800 Standard, OMS-800 Pro, OMS-850 Standard, OMS-850 Pro
Zeiss	OPMI VISU 150/160, VISU 200/210, Lumera 700, Lumera T, Lumera i, OPMI CS with Retrolux 1/3/CS or with Retroskop 1/2/CS, OPMI MDI/MDO/MDU, OPMI 1/6
Alcon	LuxOR*

* Specific: All SDI® 4c/BIOM® 5c functions can be controlled with the foot pedal of Leica M844/M822 surgical microscope and ALCON LuxOR™ Ophthalmic microscope.

CE in accordance with Medical Device Directive 93/42/EEG

WWW.OCULUS.DE



OCULUS is certified by TÜV according to DIN EN ISO 13485

OCULUS Optikgeräte GmbH
 Postfach • 35549 Wetzlar • GERMANY
 Tel. +49-641-2005-0 • Fax +49-641-2005-295
 Email: export@oculus.de • www.oculus.de

- OCULUS USA, info@oculusurgical.com
- OCULUS Asia, info@oculus.hk
- OCULUS Czechia, oculus@oculus.cz
- OCULUS Iberia, info@oculus.es
- OCULUS Poland, biuro@oculus.pl

The availability of products and features may vary by country. OCULUS reserves the right to change product specifications and design.

19/0314/EN/HA
P/SP/002/EN

