



LKX SURV-TEC

Pan-Tilt Dual Lens Camera optimized for security

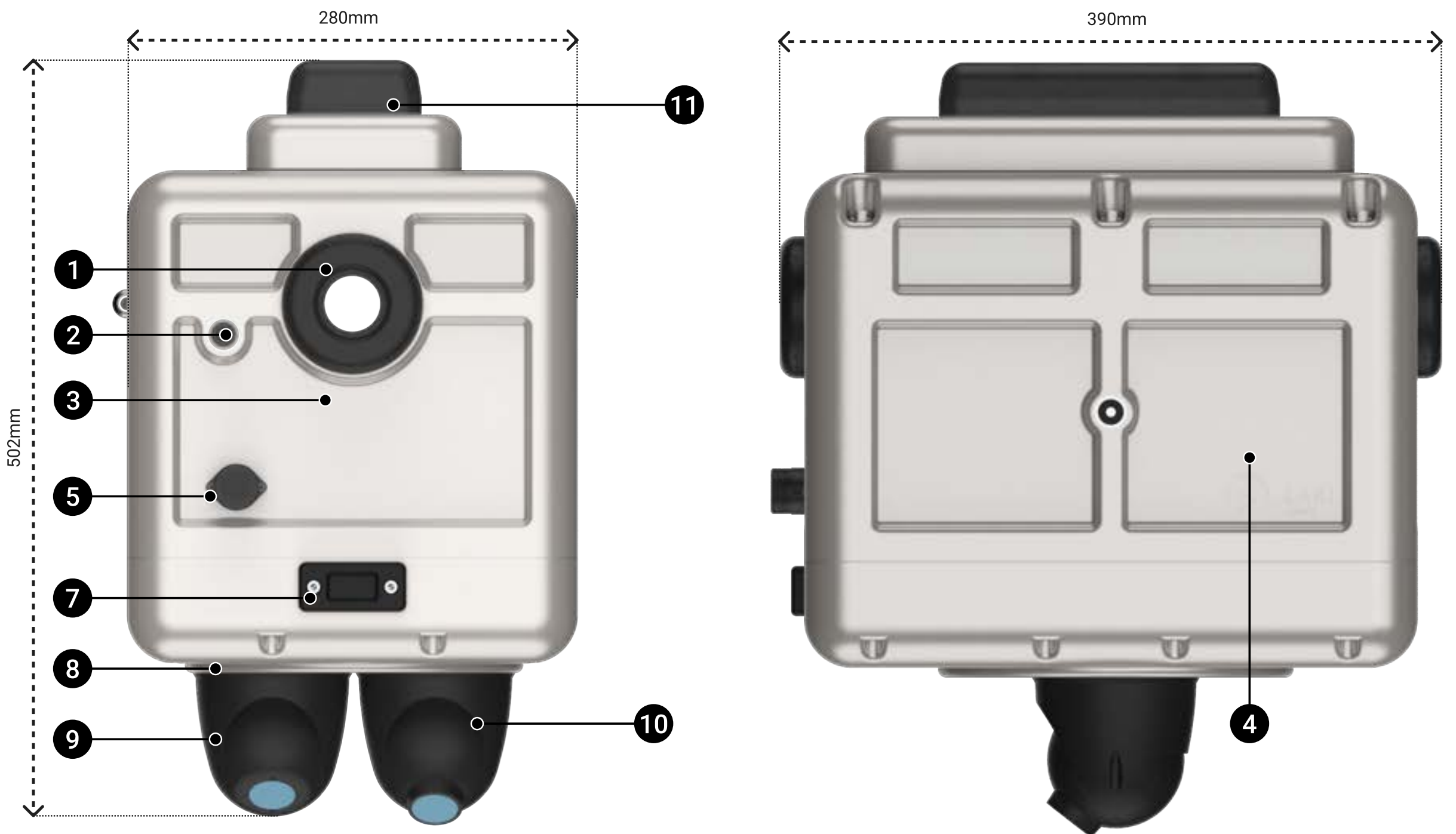
Featuring optical and thermal sensors with pan-tilt flexibility during installation and selection between long-range or close up lenses our camera enable surveillance with zero blind spots.



Feature Highlights

- ✓ **Easy Installation**
Designed for simplicity, the LKX SEC can be set up in minutes via a bucket truck, with flexibility for various overhead line setups.
- ✓ **Thermal Electric Cooling**
The LKX SURV station incorporates a high-efficiency thermoelectric cooling unit, maintaining stable operation under high ambient temperatures without compromising component longevity.
- ✓ **Dual Camera Monitoring**
Equipped with optical cameras for high-res daytime surveillance and thermal cameras for night vision, ensuring 24/7 security.
- ✓ **Pan & Tilt mounts**
Choose between close-up and long-range lenses to cater to your specific monitoring needs. 360° pan and 0-90° tilt for full directional coverage. Easily adjust during installation to optimize your viewing angle.

Product Features



1 Conductor Sensors
Current and temperature

2 Salinity Sensor
Measures surface resistance

3 Accelerometer
Tilt, roll, movement

4 External Power Input
Only for testing

5 Meteorological Sensor
Temperature, humidity and barometric pressure

6 Pan/tilt Mount
Configurable during installation

7 Optical Camera
4K resolution

8 Thermal Camera
Night vision

9 Communication Antenna
LTE/UMTS/GSM

Technical Specifications



Optical Camera	
Max Resolution	3840x2160px
Max Video FPS	9 fps (With Thermal installed)
Pan/tilt adjustment	Configurable during setup

Thermal Camera	
Max Resolution	640x480px
Max Video FPS	9 fps
Pan/tilt adjustment	Configurable during setup

Communication Options	
Mobile	LTE/UMTS/GSM
Optical Fiber Connection	Optional

Conductor Requirements	
Max Line Voltage	550kV
Max/Min Sub-Cond. Current	1600A / 60A
Max Sub-Conductor Diameter	56mm (2.2 inch)
Max Sub-Conductor Temp	150°C (302°F)

Operation and Shipping	
Maintenance	Fully autonomous operation. No user maintenance.
Operating Temperature	-40°C to +70°C (With cooling)
Dimensions	430mm x 390mm x 280mm
Unit Weight	38kg (84lbs)
Gross Shipping weight	60kg (132lbs)