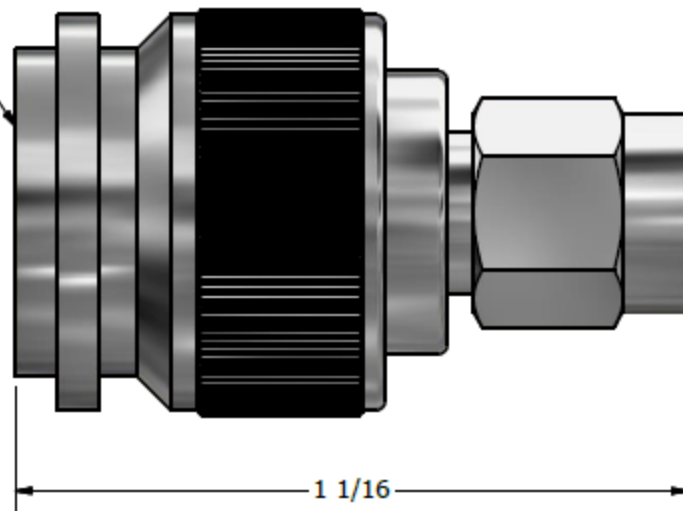
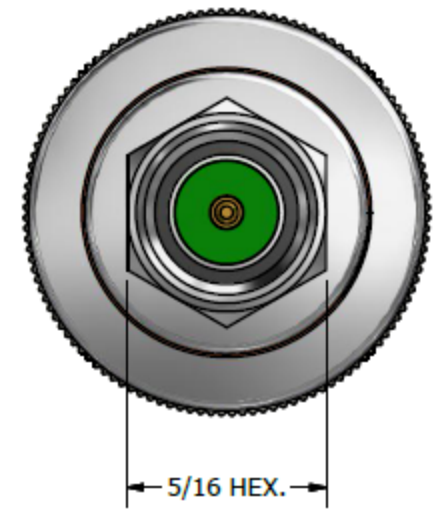


TNC MALE




SMA MALE



<b>UNLESS OTHERWISE SPECIFIED</b>		
ALL DIMENSIONS ARE BEFORE PLATE DIMENSIONS ARE IN INCHES TOLERANCES ON		
FRACTIONS ± 1/64	DECIMALS 3PL ± .005	DECIMALS 2PL ±.010
SURFACE TEXTURE: REMOVE ALL BURRS & SHARP EDGES		
THREADS: PLATING ALLOWANCES ARE .0002 MIN. .0003 MAX.		
MATERIAL:		

DRAWN Steve	8/27/2015
CHECKED	
QA	
MFG	
APPROVED	
AREA: 7.081 in <sup>2</sup>	
MASS: 16.206 g	

 TED MANUFACTURING CORP.		TITLE	
		TNC MALE TO SMA MALE ADAPTER	
SIZE A3	DWG NO 5-70- SERIES	REV 1	
SCALE:	SHEET 1 OF 1		