

### General information

Name	ChargeUP 20 C
Description	ChargeUP USB C 20.0W PD

### Basics

Model nr	3503UP	
Customs nr (HS-code)	8536.69.90.99	
Color	SKU	EAN
Tele gray	2U-449122	8718868449122

### Dimensions

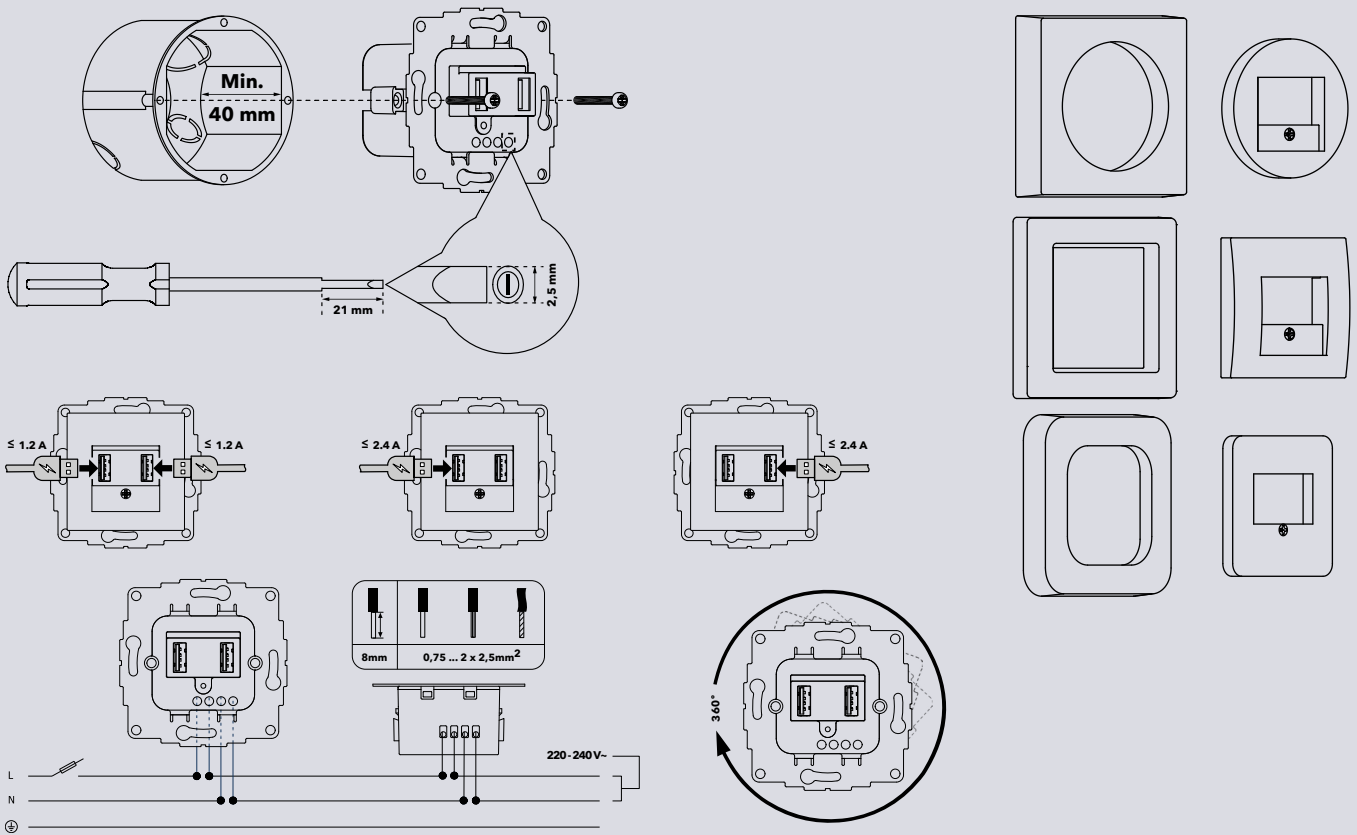
Depth (mm)	32
Height (mm)	45
Width (mm)	32
Nett weight (gram)	73
Gross weight (gram)	110
Mounting depth (mm)	32

### Certifications & Reports

CB report
KEMA-KEUR

### Technical specifications

Rated voltage	220-250 V AC
Rated frequency	50 Hz
Rated current	16A
Rated load	3680W
Input current	Max. 500 mA
Input terminals	Screws
Input wiring	1,5mm <sup>2</sup> - 2*2,5mm <sup>2</sup> rigid, rigid-stranded or flexible
Stripping length (mm)	11
Overvoltage category (OVC)	II
Socket type IEC	[ ]
Output ports	USB-C
USB protocollen:	PD (power delivery)
<b>Output current</b>	
USB-C	2.22 A/9.0 V DC, 3.0 A/5.0 V DC
Output power	20.0W
Energy efficiency (%)	>=80%
Stand-by power (mW)	<= 50
Expected lifetime at full load (h)	20000
Operating temperature	0 - +40°C
Storage temperatures	-20°C - +80°C



### Compliance (CE & UKCA)

Directives	Reference standards	National Norm
EMC	EN 50032:2015	
ErP (EcoDesign)	2009/125/EC & (EU) 2019/1782	
LVD	EN 62368-1:2014	
REACH	Regulation (EC) No 1907/2006	
REACH	Regulation (EC) No 1272/2008	
RoHS	Directive 2011/65/EU	
RoHS	Directive 2015/863	