



POWER LINE FILTERS FOR SHIELDED ROOM

✧ TYPICAL APPLICATIONS

For anechoic chamber, shielded room, cabinet and shelter, where the effective suppression of radiation emission required.



✧ TECHNICAL DATA

Rate voltage VR for two-line filters	277VAC / 500VDC	Line-Line or Line-Case
Rate voltage VR for four-line filters	480VAC	Line-Line
	277VAC	Line-Case
Rated Frequency fR	DC-60Hz	
Rated Current IR	See characteristics	Referred to +40°C ambient temperature
Number of lines	2 or 4	
Test Voltage	1200VDC/2s	Line-Line or Line-Case
Voltage Drop/ Phase ΔV	<1%	Of VR at 50Hz and IR
Leakage Current ILeakage	See characteristics	@250VAC, 50Hz
Reactive Current IReactive	See characteristics	@250VAC, 50Hz
Discharge Time to Below 34V	30s	
Climatic Category	25/085/21	



✧ PRODUCT RANGE

TYPE	I _R (A)	I _{LEAKAGE} (A)*	I _{REACTIVE} (A)	TERMINAL CONNECTION	INSERTION LOSS (dB)
U86C2x16	2x16	0.02	1.7	M6 Screw	100dB, 14k~40GHz
U86C2x32	2x32	0.02	1.7	M6 Screw	
U86C2x63	2x63	0.02	1.7	M6 Screw	
U86C2x100	2x100	0.02	7.0	M12 Screw	
U86C2x200	2x150	0.02	7.0	M12 Screw	
U86C2x400	2x400	0.30	7.0	Bus bar	
U86C2x630	2x630	0.45	7.0	Bus bar	
U86C2x1000	2x1000	0.58	7.0	Bus bar	
U86C4x16	4x16	0.005	1.7	M6 Screw	
U86C4x32	4x32	0.005	1.7	M6 Screw	
U86C4x63	4x63	0.005	1.7	M6 Screw	
U86C4x100	4x100	0.005	7.0	M12 Screw	
U86C2x200	4x200	0.005	7.0	M12 Screw	
U86C4x400	4x400	0.08	7.0	Bus bar	
U86C4x630	4x630	0.10	7.0	Bus bar	
U86C4x1000	4x1000	0.12	7.0	Bus bar	
U86C4x1200	4x1200	0.18	7.0	Bus bar	

- If voltage between neutral and earth is 0V
- One-phase and three-phase filters. Ratings are available up to 3500VDC / 25KVAC and 5000A. Single, dual, multi-stage design.

✧ DIMENSIONAL DIAGRAMS

Diagram 1

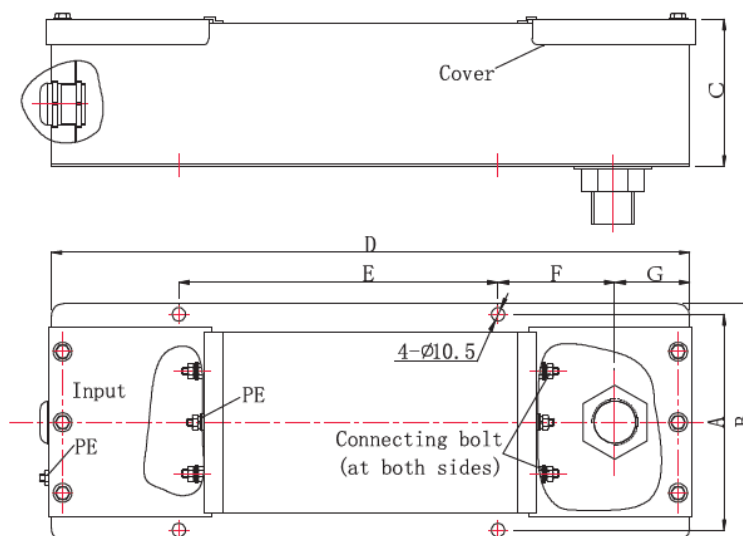




Diagram 2

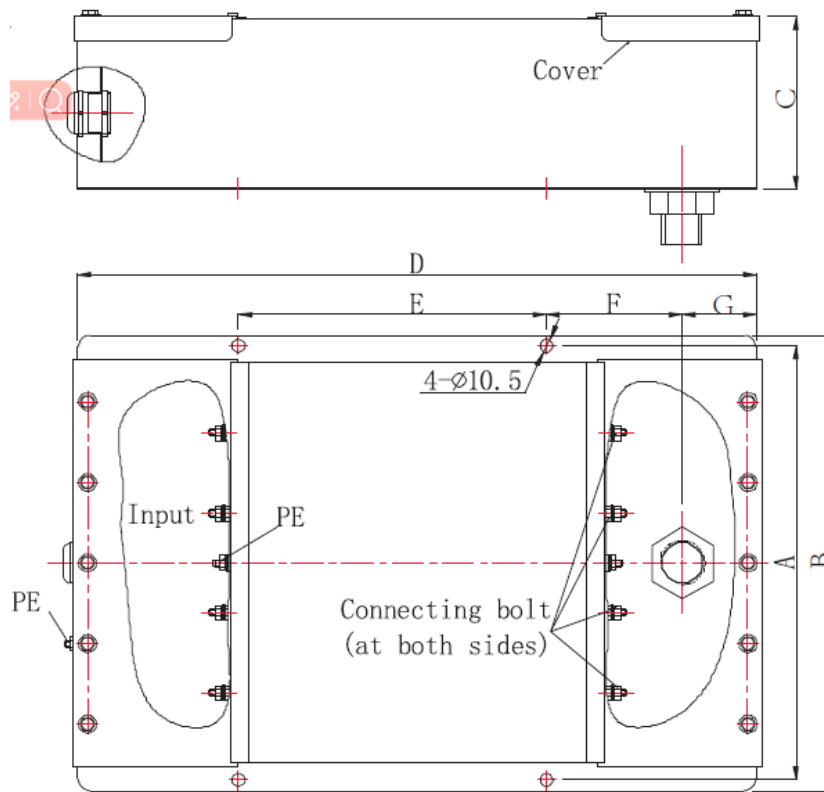


Diagram 3

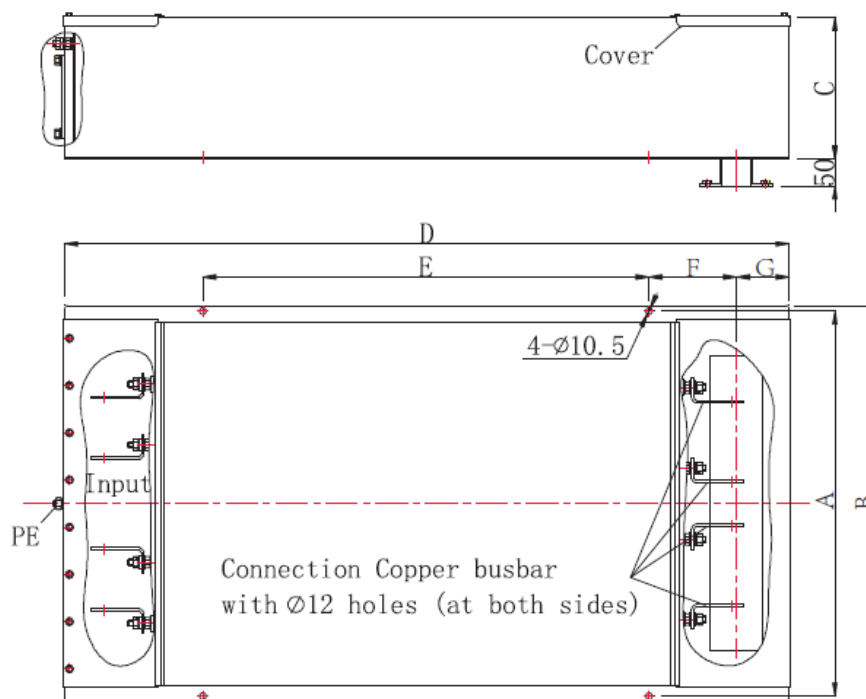
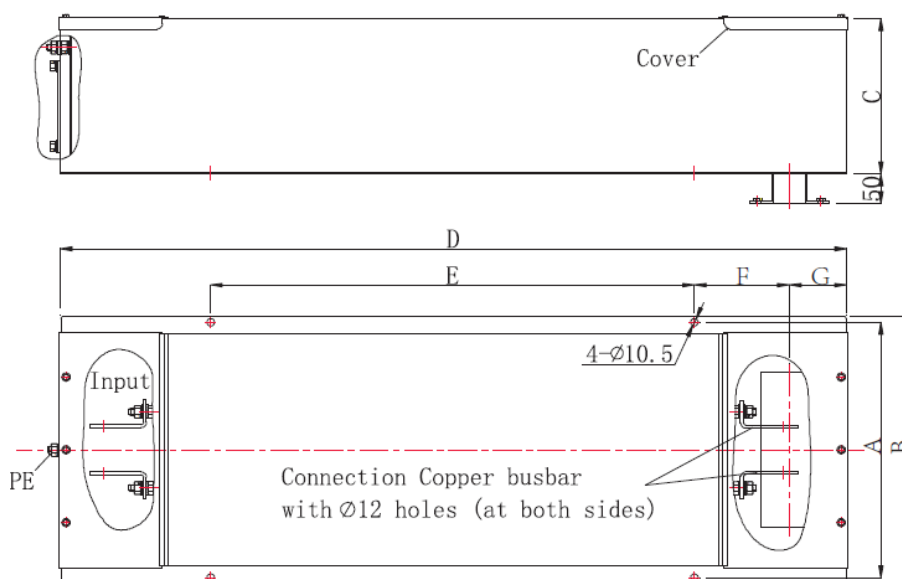




Diagram 4



✧ AVAILABLE DIMENSIONS (mm)

TYPE	A	B	C	D	E	F	G	PENETRATION	OUTLINE DRAWING
U86C2x16	188	205	120	750	450	110	80	M24 conduit screw	1
U86C2x32									
U86C2x63	188	205	140	920	620	110	80	M33 conduit screw	1
U86C2x100	228	245	155	960	450	205	80	M60 conduit screw	1
U86C2x200									
U86C2x400	336	356	205	1330	850	140	120	Flange	4
U86C2x630	370	390	225	1300	800	170	105		4
U86C2x1000	510	530	255	1450	900	185	115		4
U86C4x16	228	305	120	750	450	110	80	M33 conduit screw	2
U86C4x32									
U86C4x63	348	365	140	920	620	110	80	M33 conduit screw	2
U86C4x100	348	365	155	960	450	205	80	M60 conduit screw	2
U86C2x200									
U86C4x400	536	556	205	1360	850	170	120	Flange	3
U86C4x630	670	690	225	1300	800	170	105		3
U86C4x1000	945	965	255	1470	900	205	115		3
U86C4x1200	910	930	275	1800	1200	278	112		3

- All filter dimensions can be adjusted according to customer requirements. For more details, please contact our technical department.