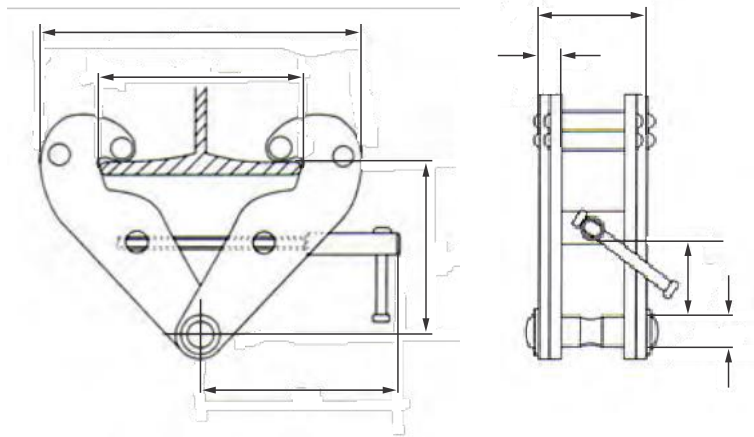


BEAM CLAMPS

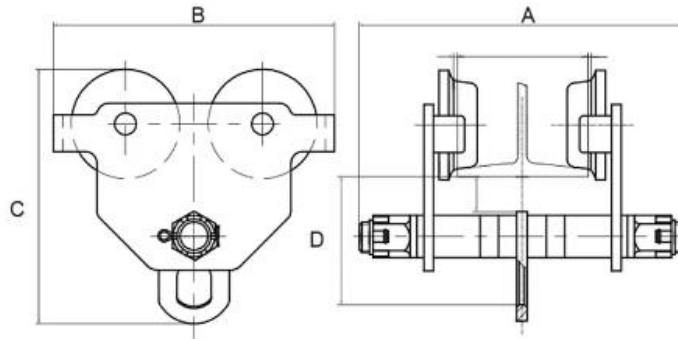


Working loadlimit	Jaw opening	A		B		C	D	E	F		G	H	Net weight
		Min	Max	Min	Max								
[t]	[mm]	[mm]	[mm]	[mm]	[mm]	[mm]	[mm]	[mm]	[mm]	[mm]	[mm]	[mm]	[kg]
1.0	75~220	260	180	360	64	5	215	102	155	25	22	4.5	
2.0	75~220	260	180	360	74	6	215	102	155	25	22	5.0	
3.0	80~320	354	235	480	103	8	260	140	225	45	24	10.5	
5.0	80~320	354	235	490	110	10	260	140	225	45	28	11.0	
10.0	80~350	400	250	520	120	12	280	160	230	70	44	16.0	



BEAM CRAWL

Plain

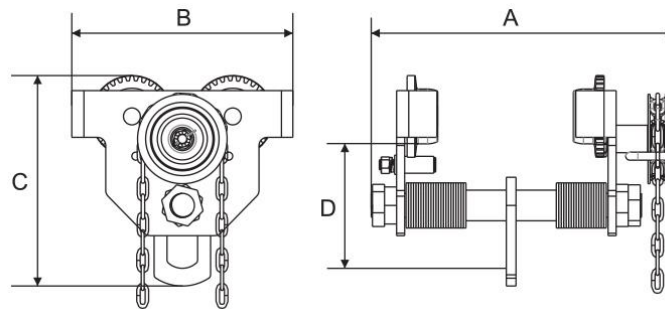


CAPACITY	I-BEAM WIDTH	A mm	B mm	C mm	D mm	N.W./KGS
0.5T	68-140 mm	220	196	177	97	4.8
1T	80-146mm	230	213	191	107	7
2T	80-168mm	275	255	233	128	13
3T	88-168 mm	285	300	285	153	20.2
5T	100-203mm	368	340	345	191	34
10T	122-203mm	375	454	477	262	79



BEAM CRAWL

Geared



CAPACITY	I-BEAM WIDTH	A mm	B mm	C mm	H mm	N.W./KGS
0.5T	68-140 mm	262	196	177	97	7.9
1T	80-146mm	266	213	191	107	10.4
2T	80-168mm	312	255	233	128	15.8
3T	88-168 mm	324	300	285	153	23.5
5T	100-203mm	401	340	345	191	36.6
10T	122-203mm	412	454	477	262	82

