

**NORTH
COAST
FIBREGLASS**

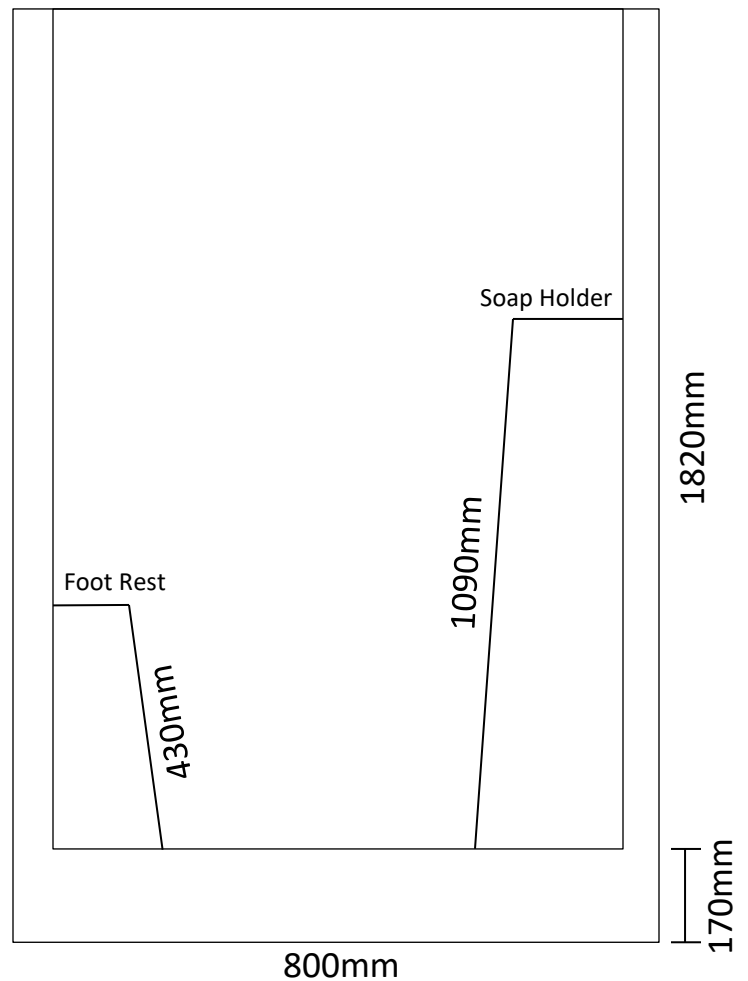
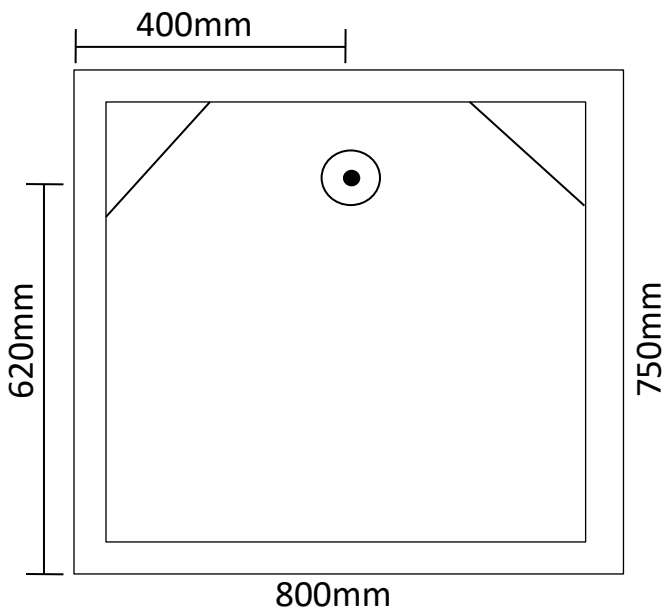
**PRODUCT
BROCHURE**

ASS
specialists

Showers Cubicles

800 x 750 x 1820 (Rear Waste)

Transportable Homes
Staff Showers
Renovations
Shed Showers
Ablutions
Pool Showers



Please Note: Measurements are taken externally, please allow for variations within the manufacturing process. Drawings are a guide only. We recommend having the shower on site prior to commencement of works.

North Coast Fibreglass

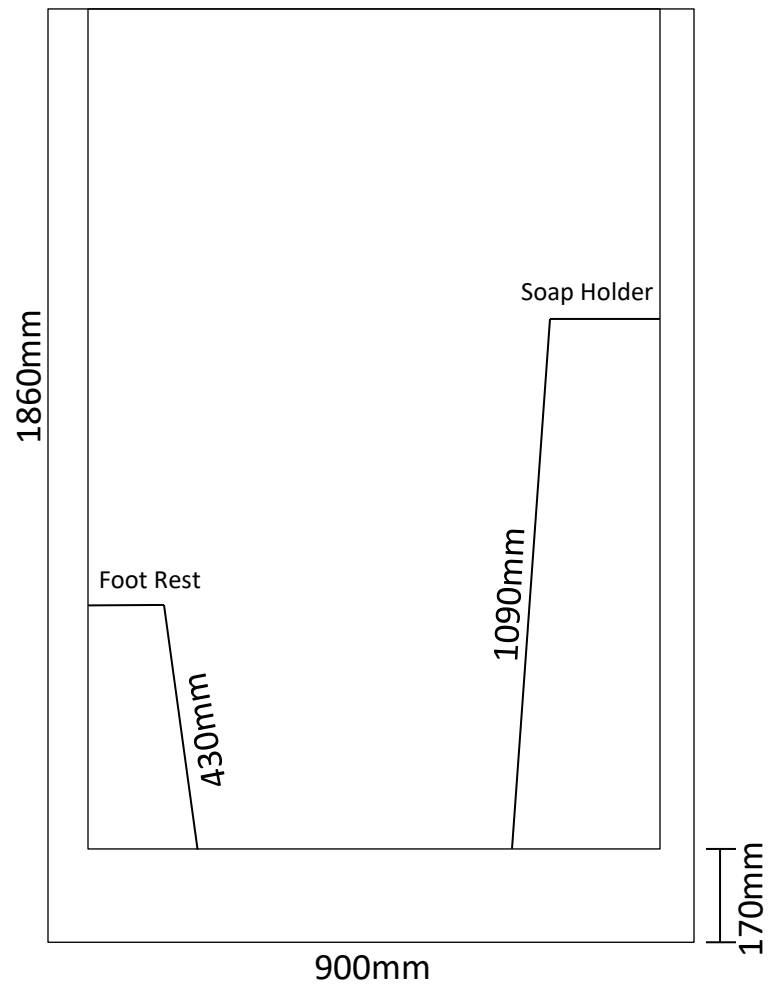
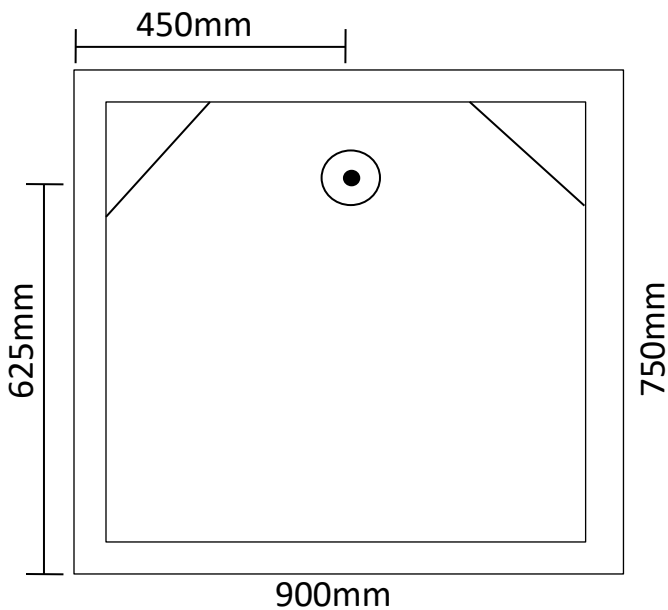
Phone 9404 8000 | Email info@northcoastfibreglass.com.au

33 Greenwich Parade, Neerabup WA 6031

Showers Cubicles

900 x 750 x 1860 (Rear Waste)

Transportable Homes
Staff Showers
Renovations
Shed Showers
Ablutions
Pool Showers



Please Note: Measurements are taken externally, please allow for variations within the manufacturing process. Drawings are a guide only. We recommend having the shower on site prior to commencement of works.

North Coast Fibreglass

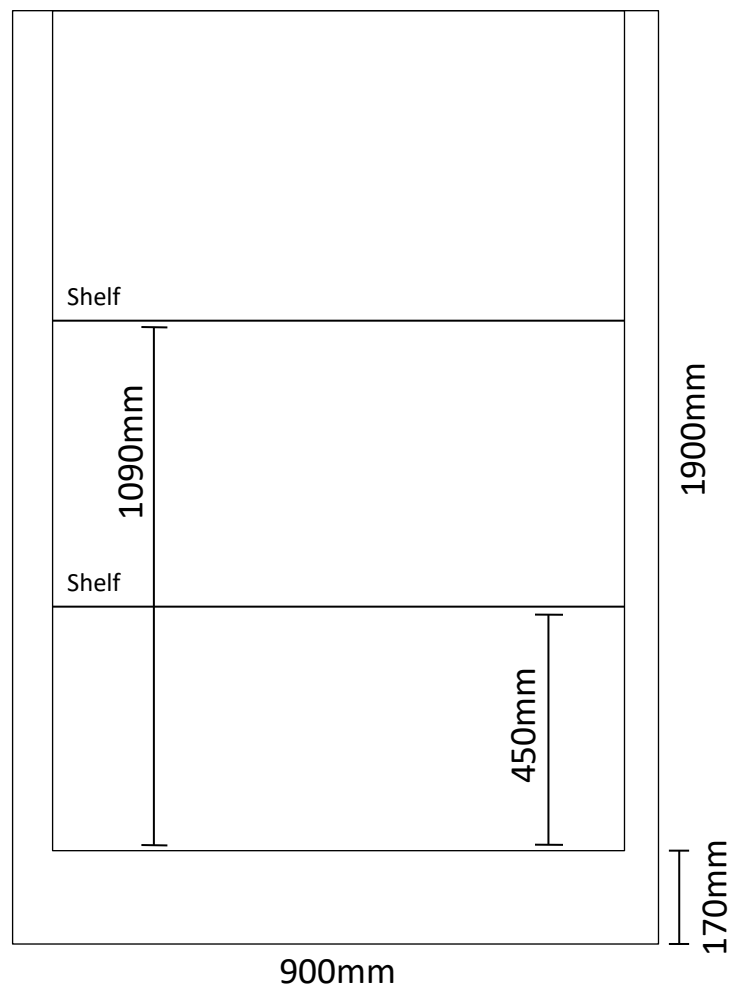
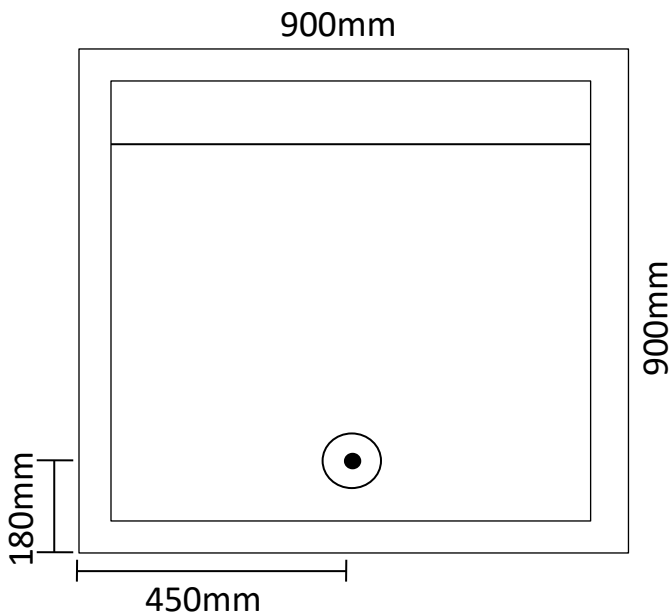
Phone 9404 8000 | Email info@northcoastfibreglass.com.au

33 Greenwich Parade, Neerabup WA 6031

Showers Cubicles

900 x 900 x 1900 (Front Waste)

Transportable Homes
Staff Showers
Renovations
Shed Showers
Ablutions
Pool Showers



Please Note: Measurements are taken externally, please allow for variations within the manufacturing process. Drawings are a guide only. We recommend having the shower on site prior to commencement of works.

North Coast Fibreglass

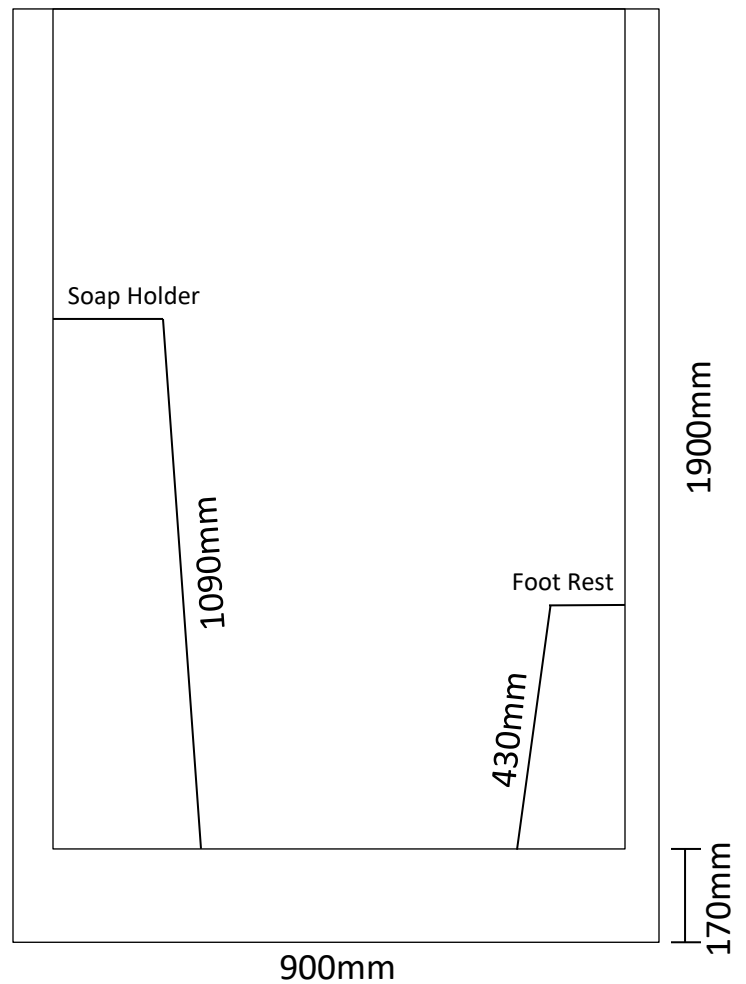
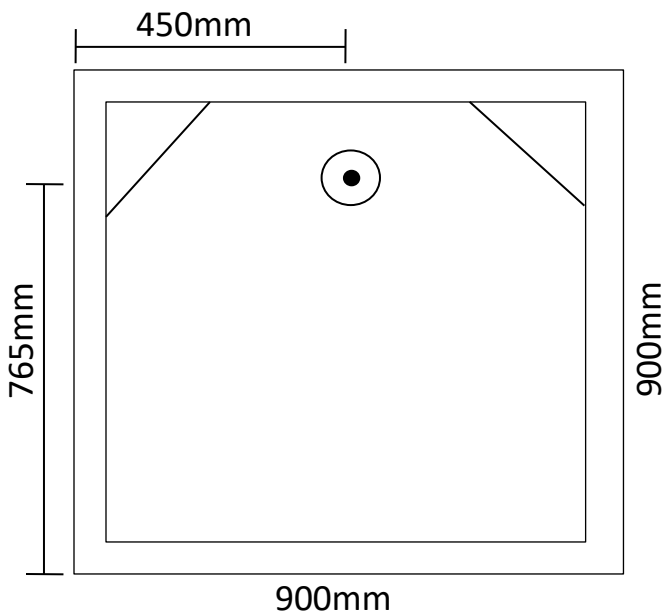
Phone 9404 8000 | Email info@northcoastfibreglass.com.au

33 Greenwich Parade, Neerabup WA 6031

Showers Cubicles

900 x 900 x 1900 (Rear Waste)

Transportable Homes
Staff Showers
Renovations
Shed Showers
Ablutions
Pool Showers



Please Note: Measurements are taken externally, please allow for variations within the manufacturing process. Drawings are a guide only. We recommend having the shower on site prior to commencement of works.

North Coast Fibreglass

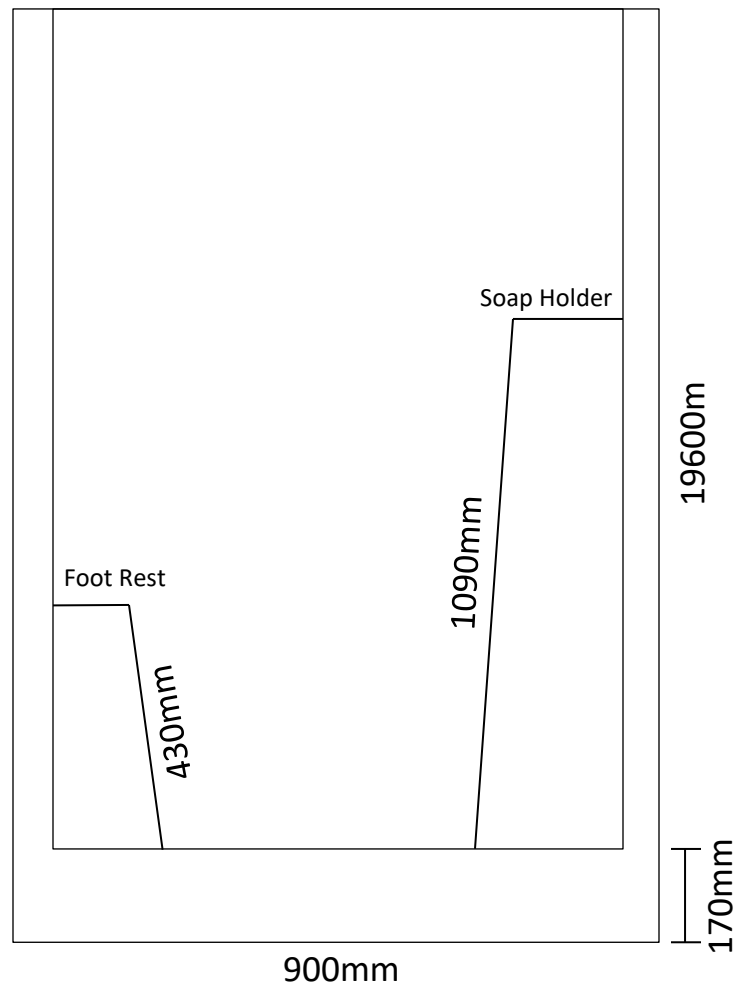
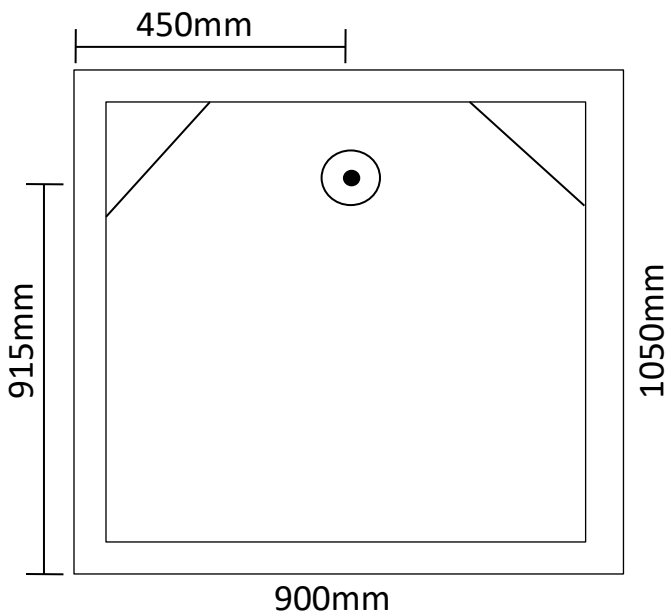
Phone 9404 8000 | Email info@northcoastfibreglass.com.au

33 Greenwich Parade, Neerabup WA 6031

Showers Cubicles

900 x 1050 x 1960 with lip (Rear Waste)

Transportable Homes
Staff Showers
Renovations
Shed Showers
Ablutions
Pool Showers



Please Note: Measurements are taken externally, please allow for variations within the manufacturing process. Drawings are a guide only. We recommend having the shower on site prior to commencement of works.

North Coast Fibreglass

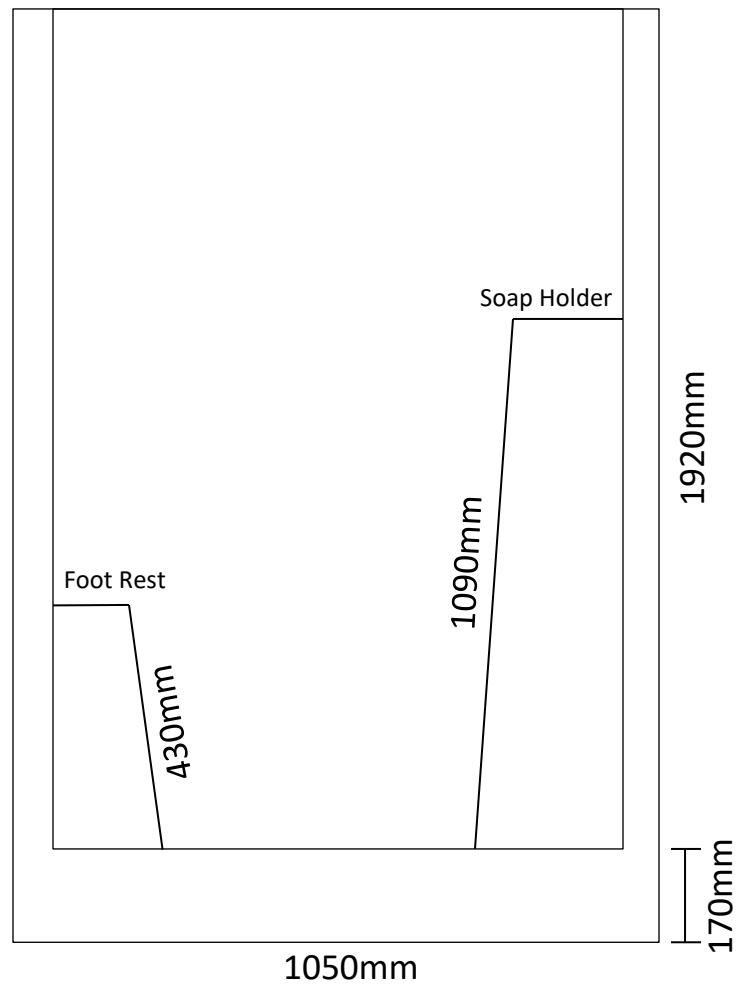
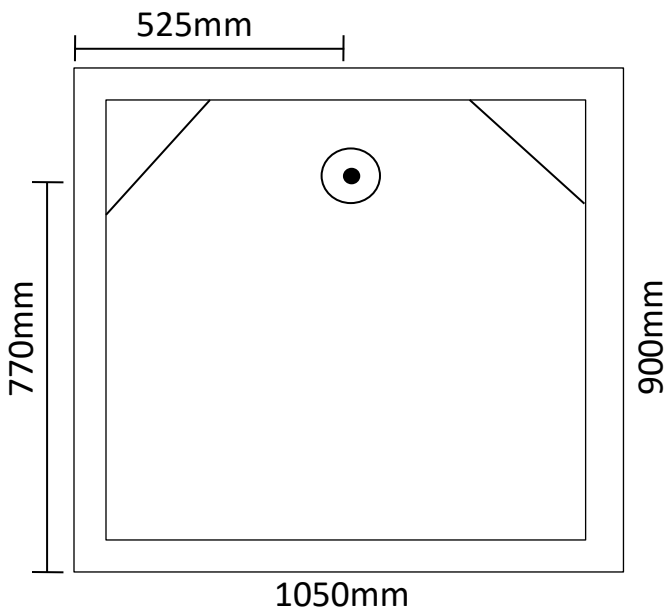
Phone 9404 8000 | Email info@northcoastfibreglass.com.au

33 Greenwich Parade, Neerabup WA 6031

Showers Cubicles

1050 x 900 x 1920 with or without lip (Rear Waste)

Transportable Homes
Staff Showers
Renovations
Shed Showers
Ablutions
Pool Showers



Please Note: Measurements are taken externally, please allow for variations within the manufacturing process. Drawings are a guide only. We recommend having the shower on site prior to commencement of works.

North Coast Fibreglass

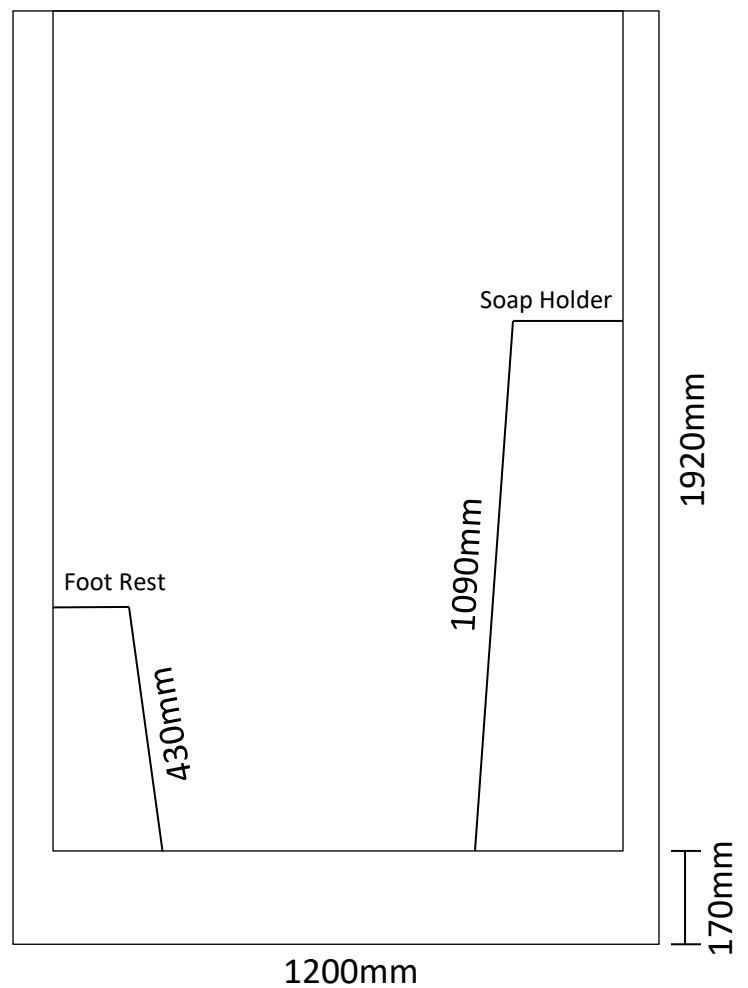
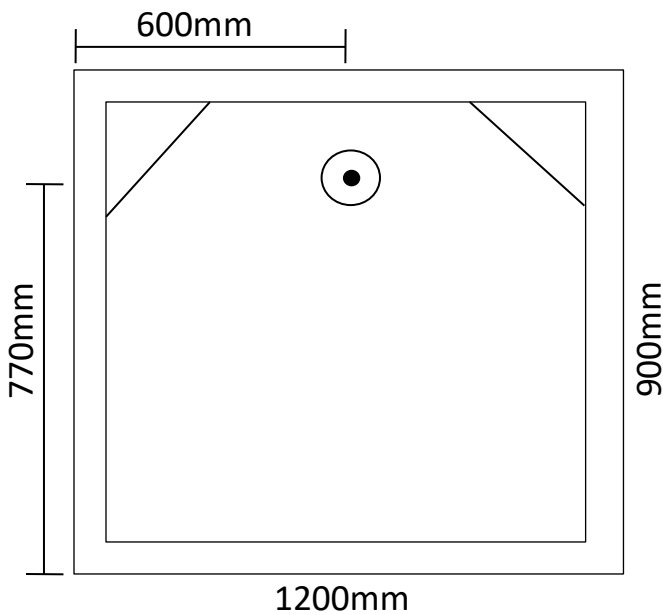
Phone 9404 8000 | Email info@northcoastfibreglass.com.au

33 Greenwich Parade, Neerabup WA 6031

Showers Cubicles

1200 x 900 x 1920 (Rear Waste)

Transportable Homes
Staff Showers
Renovations
Shed Showers
Ablutions
Pool Showers



Please Note: Measurements are taken externally, please allow for variations within the manufacturing process. Drawings are a guide only. We recommend having the shower on site prior to commencement of works.

North Coast Fibreglass

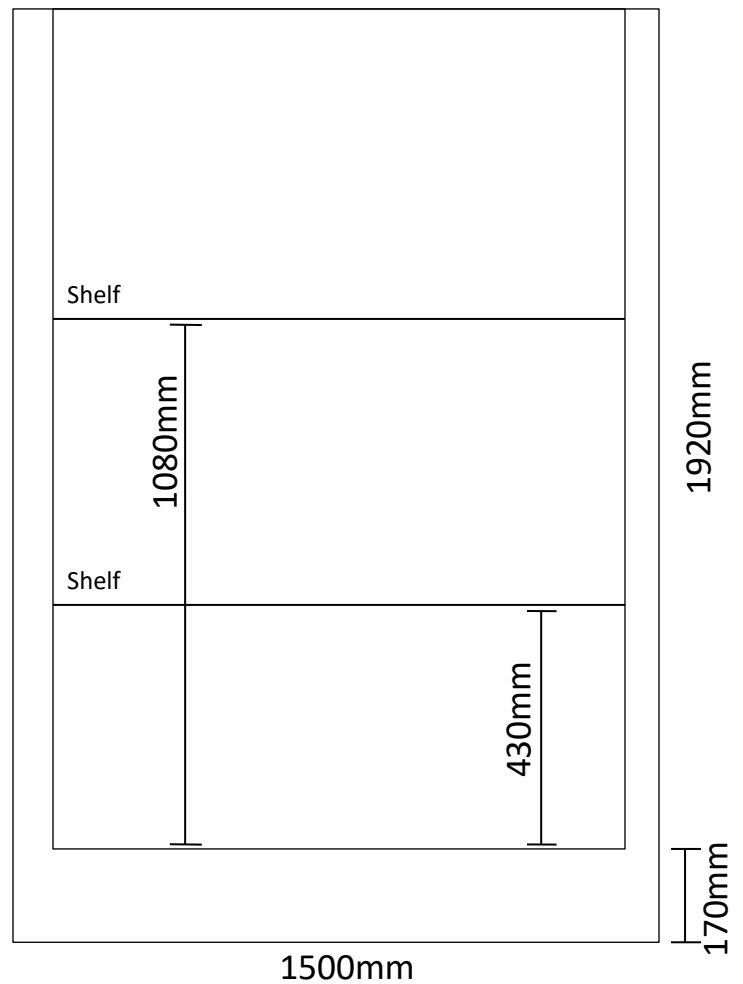
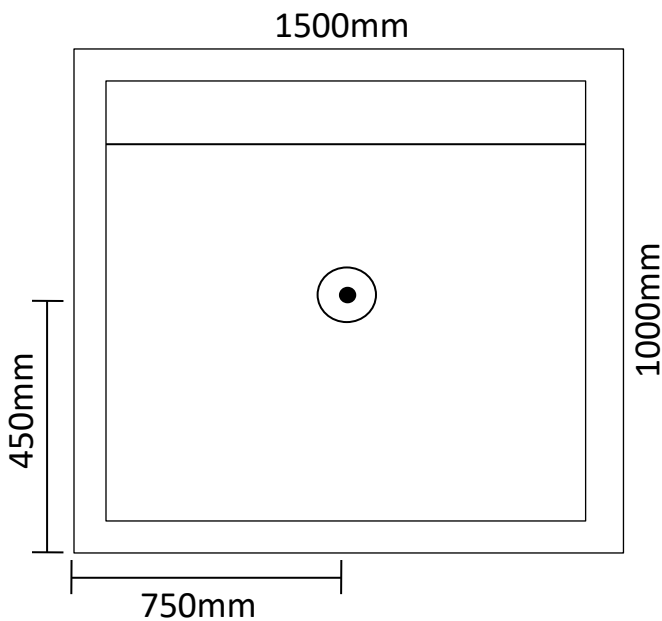
Phone 9404 8000 | Email info@northcoastfibreglass.com.au

33 Greenwich Parade, Neerabup WA 6031

Showers Cubicles

1500 x 1000 x 1920 (Centre Waste)

Transportable Homes
Staff Showers
Renovations
Shed Showers
Ablutions
Pool Showers



Please Note: Measurements are taken externally, please allow for variations within the manufacturing process. Drawings are a guide only. We recommend having the shower on site prior to commencement of works.

North Coast Fibreglass

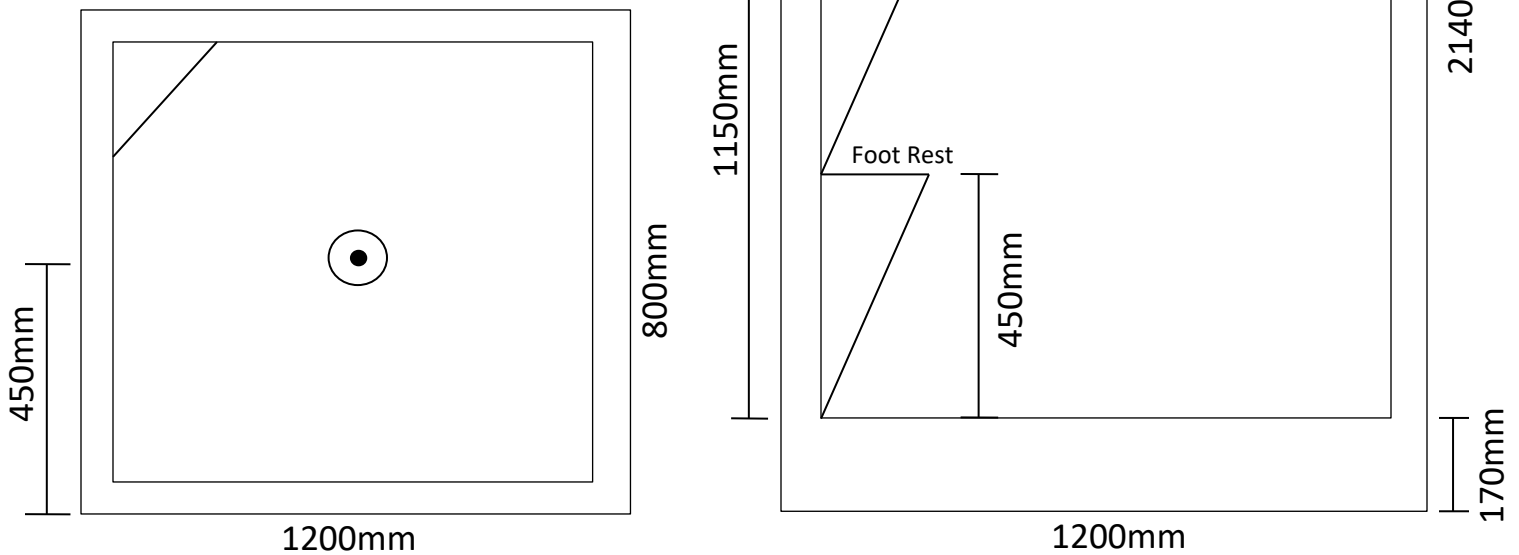
Phone 9404 8000 | Email info@northcoastfibreglass.com.au

33 Greenwich Parade, Neerabup WA 6031

Showers Cubicles

1200 x 800 x 2140 (Centre Waste)

Transportable Homes
Staff Showers
Renovations
Shed Showers
Ablutions
Pool Showers



Please Note: Measurements are taken externally, please allow for variations within the manufacturing process. Drawings are a guide only. We recommend having the shower on site prior to commencement of works.

North Coast Fibreglass

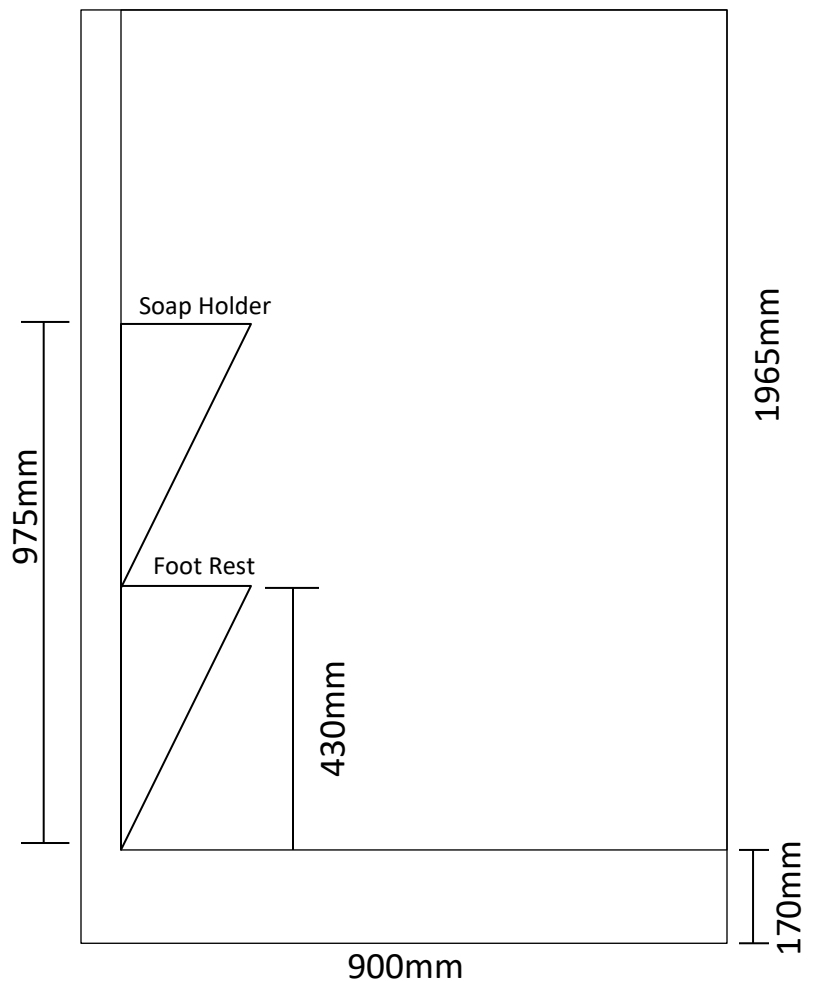
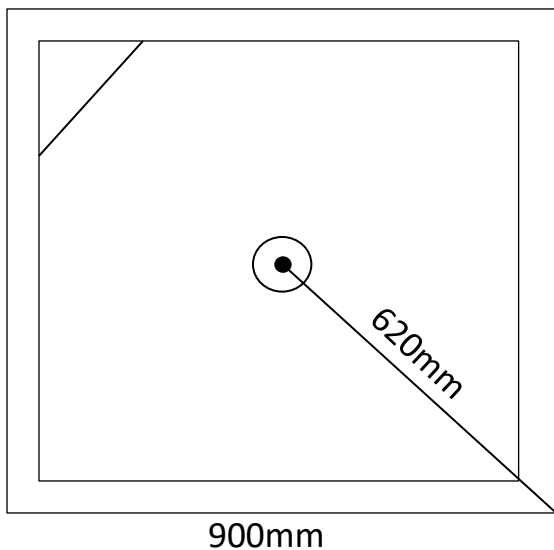
Phone 9404 8000 | Email info@northcoastfibreglass.com.au

33 Greenwich Parade, Neerabup WA 6031

Corner Showers

900 x 900 x 1965 (Centre Waste)

Transportable Homes
Staff Showers
Renovations
Shed Showers
Ablutions
Pool Showers



Please Note: Measurements are taken externally, please allow for variations within the manufacturing process. Drawings are a guide only. We recommend having the shower on site prior to commencement of works.

North Coast Fibreglass

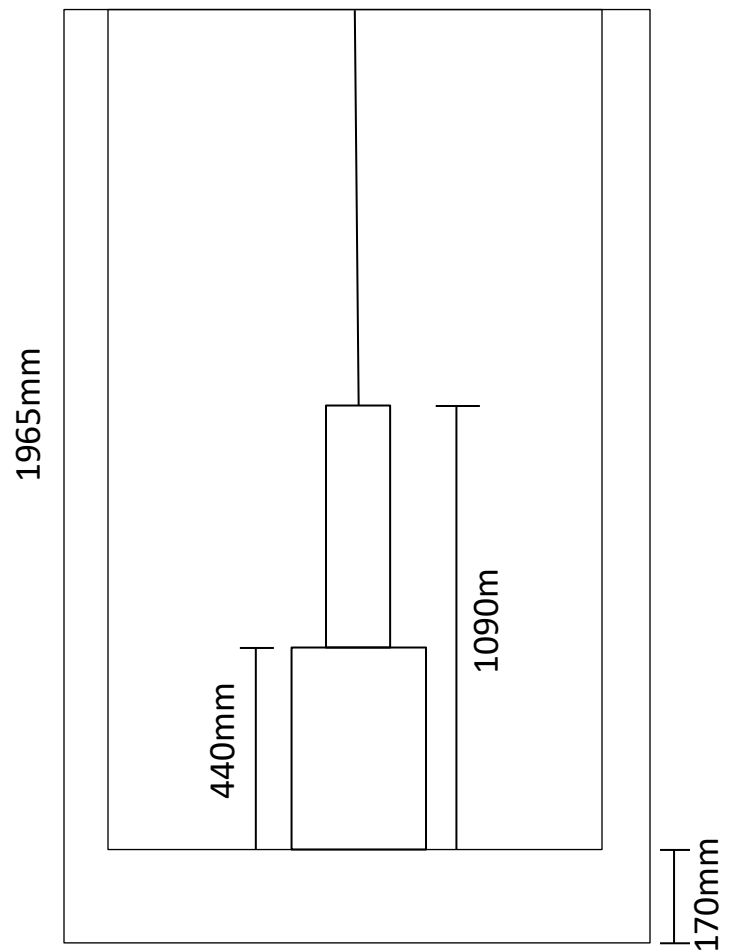
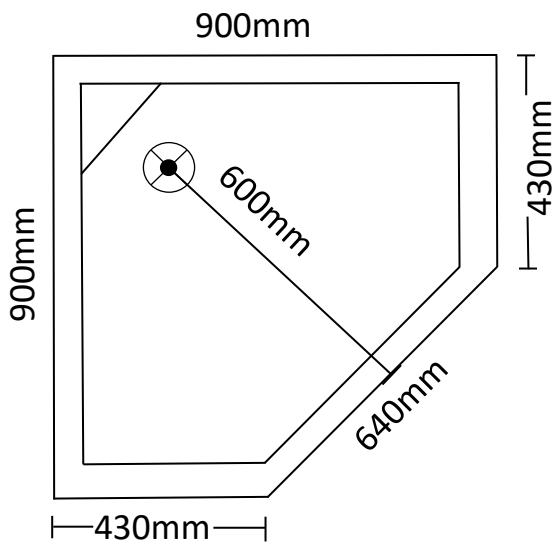
Phone 9404 8000 | Email info@northcoastfibreglass.com.au

33 Greenwich Parade, Neerabup WA 6031

Corner Showers

900 x 900 x 1965 (Rear Waste)

Transportable Homes
Staff Showers
Renovations
Shed Showers
Ablutions
Pool Showers



Please Note: Measurements are taken externally, please allow for variations within the manufacturing process. Drawings are a guide only. We recommend having the shower on site prior to commencement of works.

North Coast Fibreglass

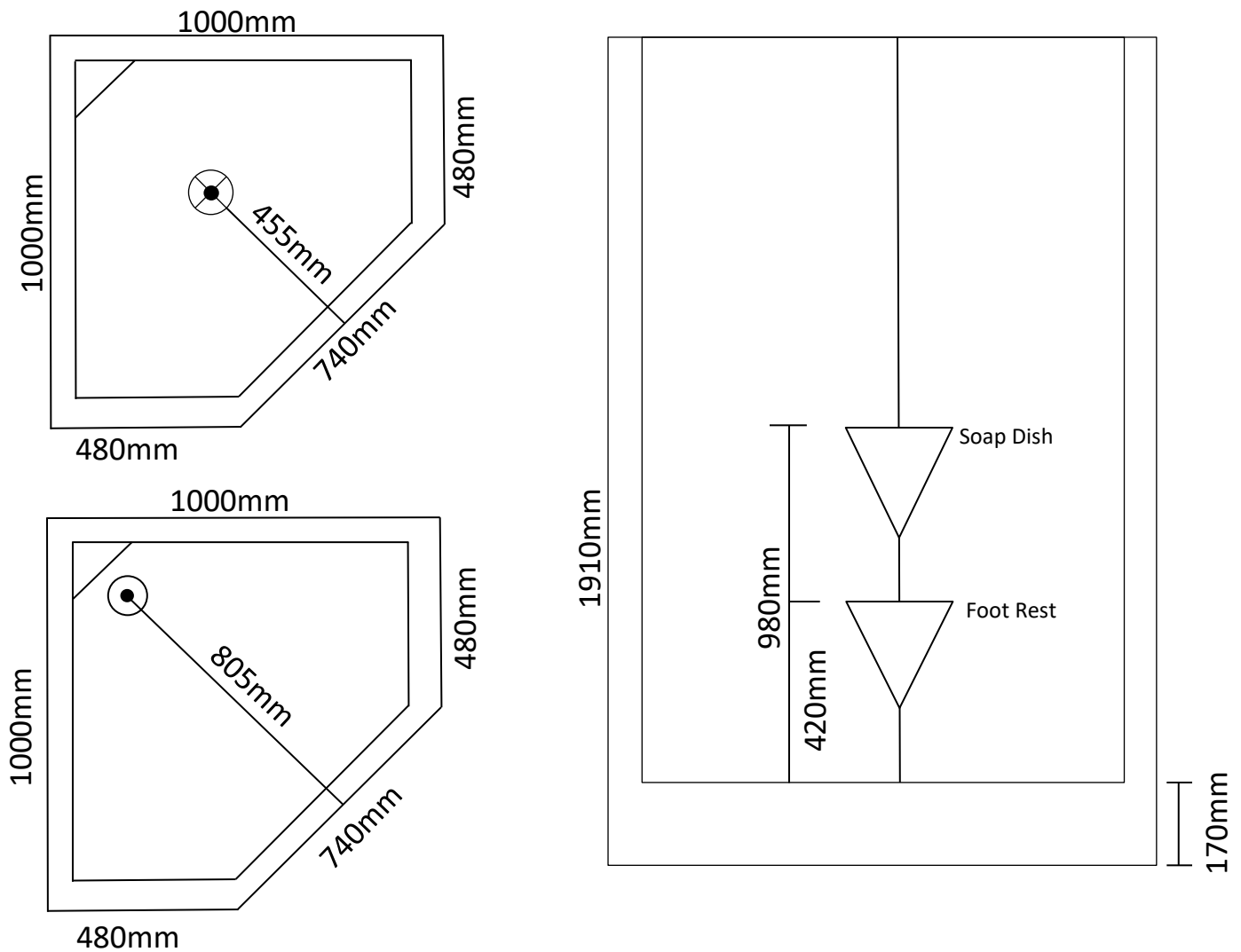
Phone 9404 8000 | Email info@northcoastfibreglass.com.au

33 Greenwich Parade, Neerabup WA 6031

Corner Showers - OG

1000 x 1000 x 1910 (Centre & Rear Waste)

Transportable Homes, Staff Showers
Renovations, Shed Showers
Ablutions, Pool Showers



Please Note: Measurements are taken externally, please allow for variations within the manufacturing process. Drawings are a guide only. We recommend having the shower on site prior to commencement of works.

North Coast Fibreglass

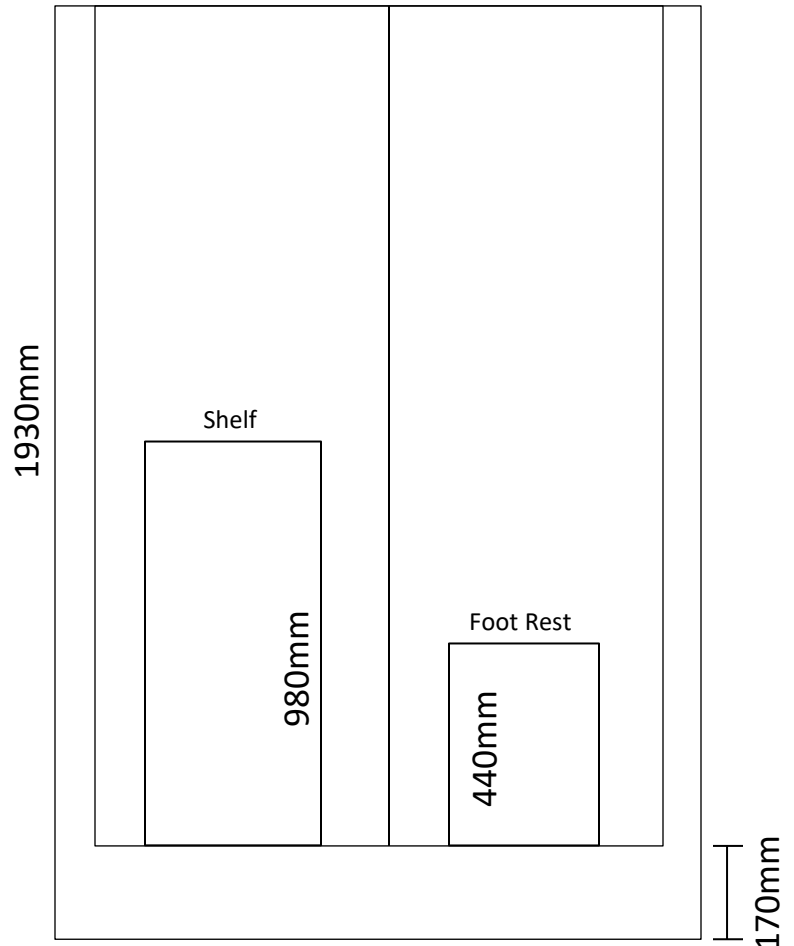
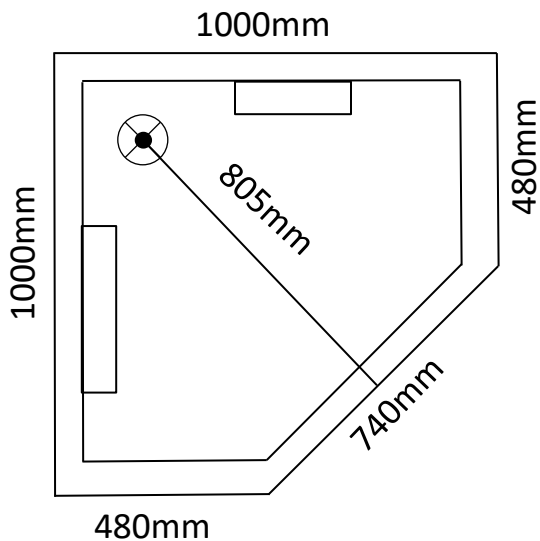
Phone 9404 8000 | Email info@northcoastfibreglass.com.au

33 Greenwich Parade, Neerabup WA 6031

Corner Showers - MOE

1000 x 1000 x 1930 (Rear Waste)

Transportable Homes
Staff Showers
Renovations
Shed Showers
Ablutions
Pool Showers



Please Note: Measurements are taken externally, please allow for variations within the manufacturing process. Drawings are a guide only. We recommend having the shower on site prior to commencement of works.

North Coast Fibreglass

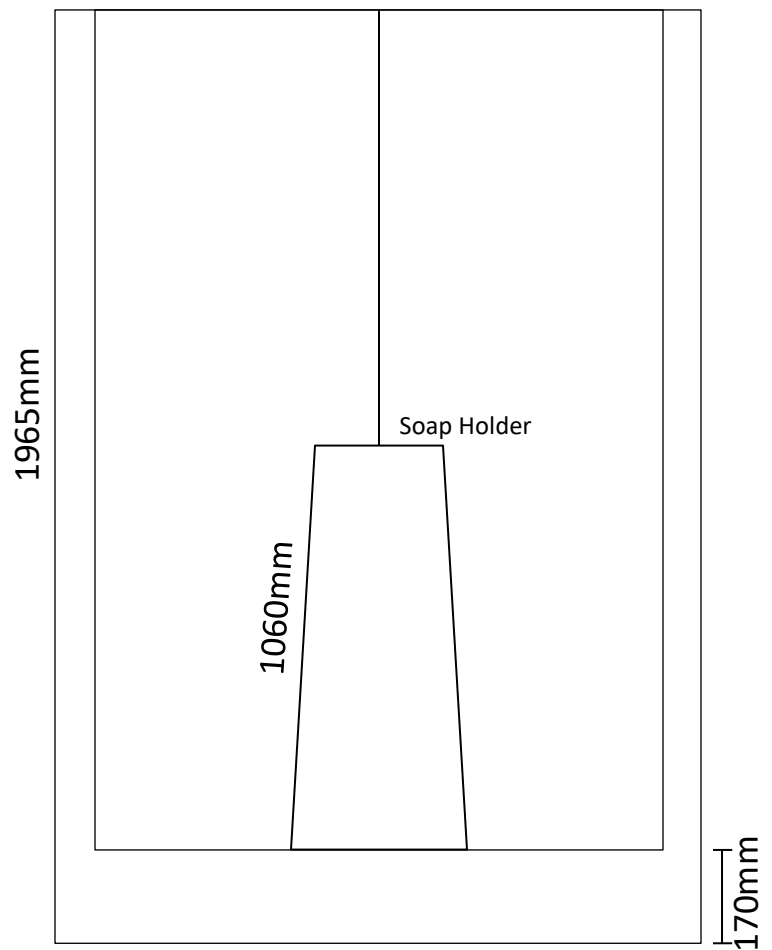
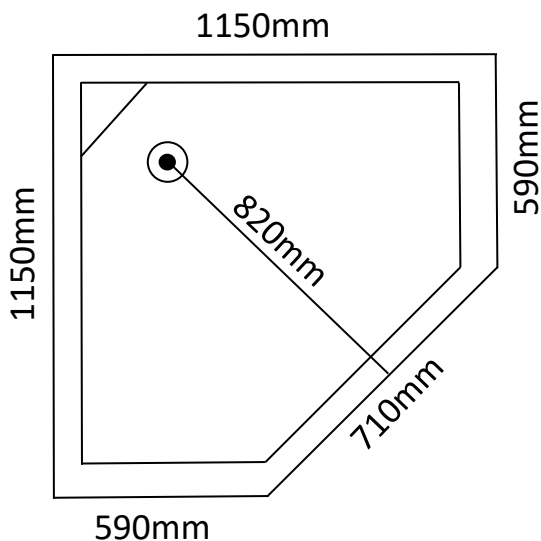
Phone 9404 8000 | Email info@northcoastfibreglass.com.au

33 Greenwich Parade, Neerabup WA 6031

Corner Showers

1150 x 1150 x 1965 (Rear Waste)

Transportable Homes
Staff Showers
Renovations
Shed Showers
Ablutions
Pool Showers



Please Note: Measurements are taken externally, please allow for variations within the manufacturing process. Drawings are a guide only. We recommend having the shower on site prior to commencement of works.

North Coast Fibreglass

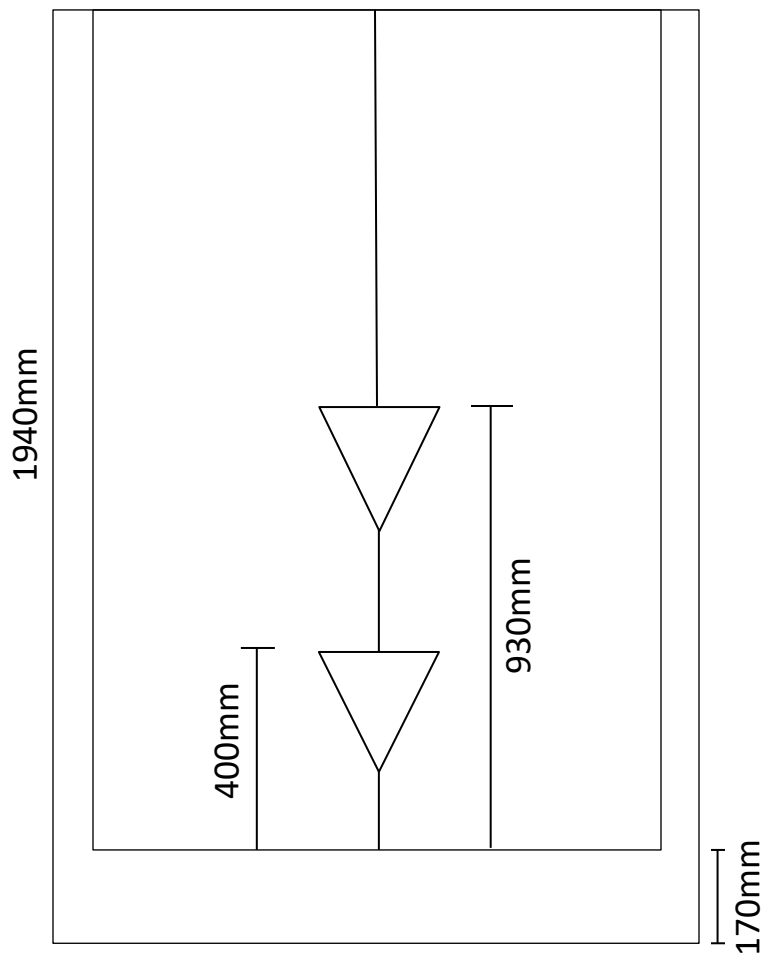
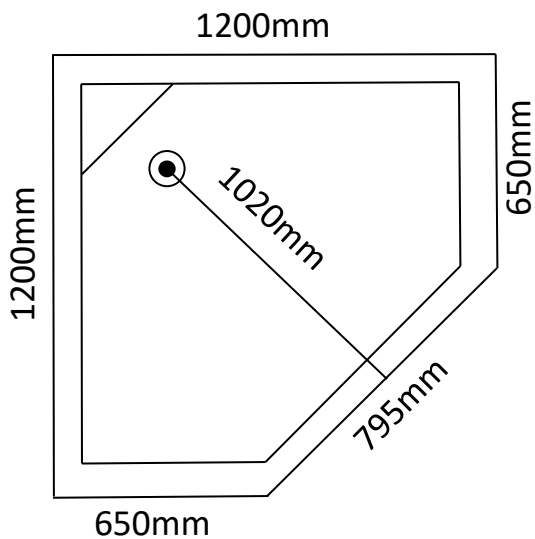
Phone 9404 8000 | Email info@northcoastfibreglass.com.au

33 Greenwich Parade, Neerabup WA 6031

Corner Showers

1200 x 1200 x 1940 (Rear Waste)

Transportable Homes
Staff Showers
Renovations
Shed Showers
Ablutions
Pool Showers



Please Note: Measurements are taken externally, please allow for variations within the manufacturing process. Drawings are a guide only. We recommend having the shower on site prior to commencement of works.

North Coast Fibreglass

Phone 9404 8000 | Email info@northcoastfibreglass.com.au

33 Greenwich Parade, Neerabup WA 6031