

General information

Name	inCharge Pro 55 EU
Description	2USB inCharge PRO 55 USB AC Single Socket Outlet 15.0W/3.0A

Basics

Model nr	5503F	
Customs nr (HS-code)	8536.69.90.99	
Color	SKU	EAN
Glossy white	2U-449511	8718868449511
Matt white	2U-449528	8718868449528
Glossy cream	2U-449535	8718868449535
Matt Black	2U-449641	8718868449641
Jet Black	2U-449559	8718868449559
Anthracite	2U-449542	8718868449542

Dimensions

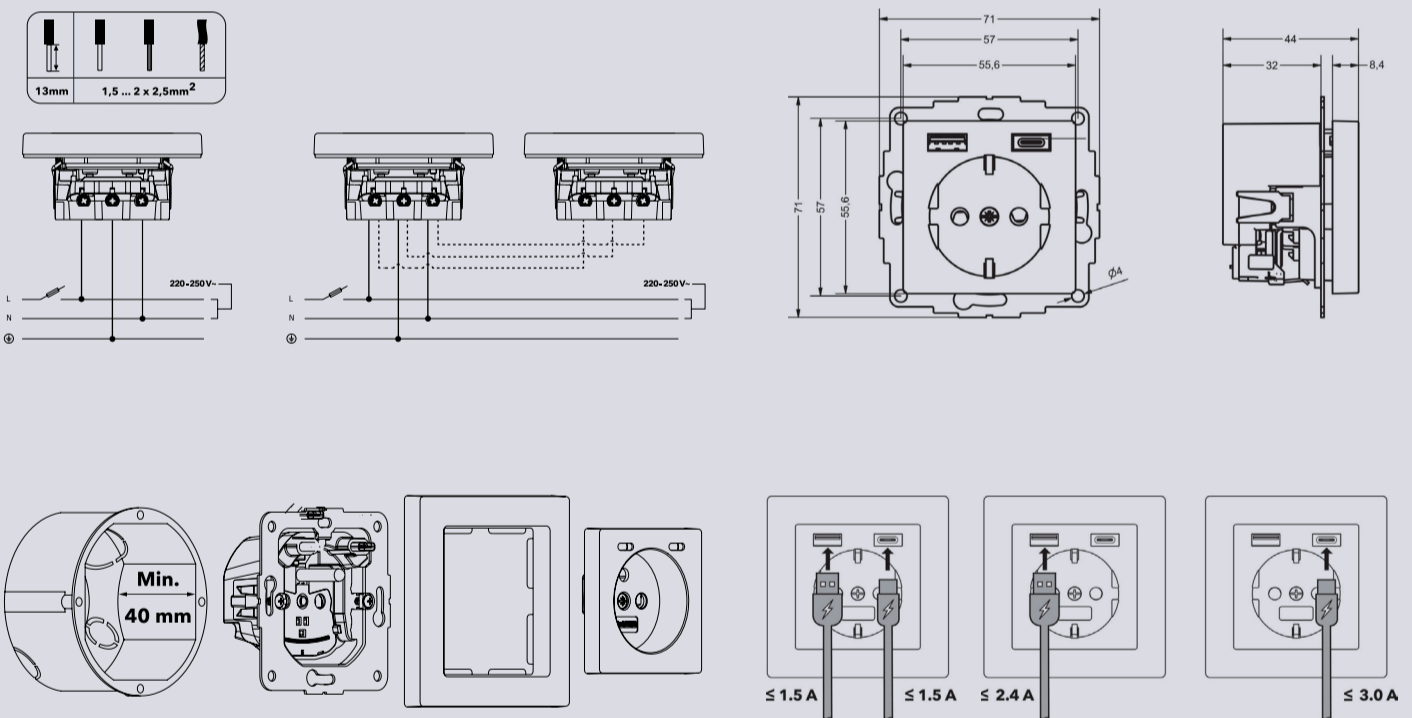
Depth (mm)	45
Height (mm)	71
Width (mm)	45
Nett weight (gram)	95
Gross weight (gram)	130
Mounting depth (mm)	32

Certifications & Reports

CB report
KEMA-KEUR

Technical specifications

Rated voltage	220-250 V AC
Rated frequency	50 Hz
Rated current	16A
Rated load	3680W
Input current	Max. 500 mA
Input terminals	Double, with clamps
Input wiring	1,5mm ² - 2*2,5mm ² rigid, rigid-stranded or flexible
Stripping length (mm)	11
Overvoltage category (OVC)	III
Socket type IEC	Type F
Output ports	USB-A, USB-C
USB protocollen:	Smart IC to enable efficient charging
Output current	
USB-A	2.4 A/5.0 V DC
USB-C	3.0 A/5.0 V DC
Output power	15.0W (Total output power is shared between the USB ports)
Energy efficiency (%)	>=80%
Stand-by power (mW)	0.1
Expected lifetime at full load (h)	20000
Operating temperature	0 - +40°C
Storage temperatures	-20°C - +80°C



Compliance (CE & UKCA)

EMC	EN 55032:2015+A1:2020+A11:2020	
EMC	EN-IEC 61204-3:2018	
ErP (EcoDesign)	2009/125/EC & (EU) 2019/1782	
LVD	EN IEC 61558-1:2019	
LVD	EN 61558-2-16:2009+A1:2013	
LVD	EN 62368-1:2014	
LVD	IEC 60884-1:2002	
LVD	IEC 60884-1:2002 +A1:2006+A2:2013	DIN VDE 0620-1:2016+A1:2017
LVD	IEC 60884-1:2002 +A1:2006+A2:2013	NEN 1020:2019
LVD	IEC 60884-1:2002 +A1:2006+A2:2013	NEK IEC 60884-1:2002+A1:2006+A2:2013
LVD	IEC 60884-1:2002 +A1:2006+A2:2013	SS-IEC 60884-1:2013, SS 4280834:2013
LVD	IEC 60884-1:2002 +A1:2006+A2:2013	UNE 20315-1-1:2017
LVD	IEC 60884-1:2002 +A1:2006+A2:2013	SFS 5610:2015, SFS 5610:2015+A11:2016
LVD	IEC 60884-1:2022	DIN VDE 0620-1:2021 (Clause 10.5)
REACH	Regulation (EC) No 1907/2006	
RoHS	Directive 2011/65/EU	