



Escalators & Elevators

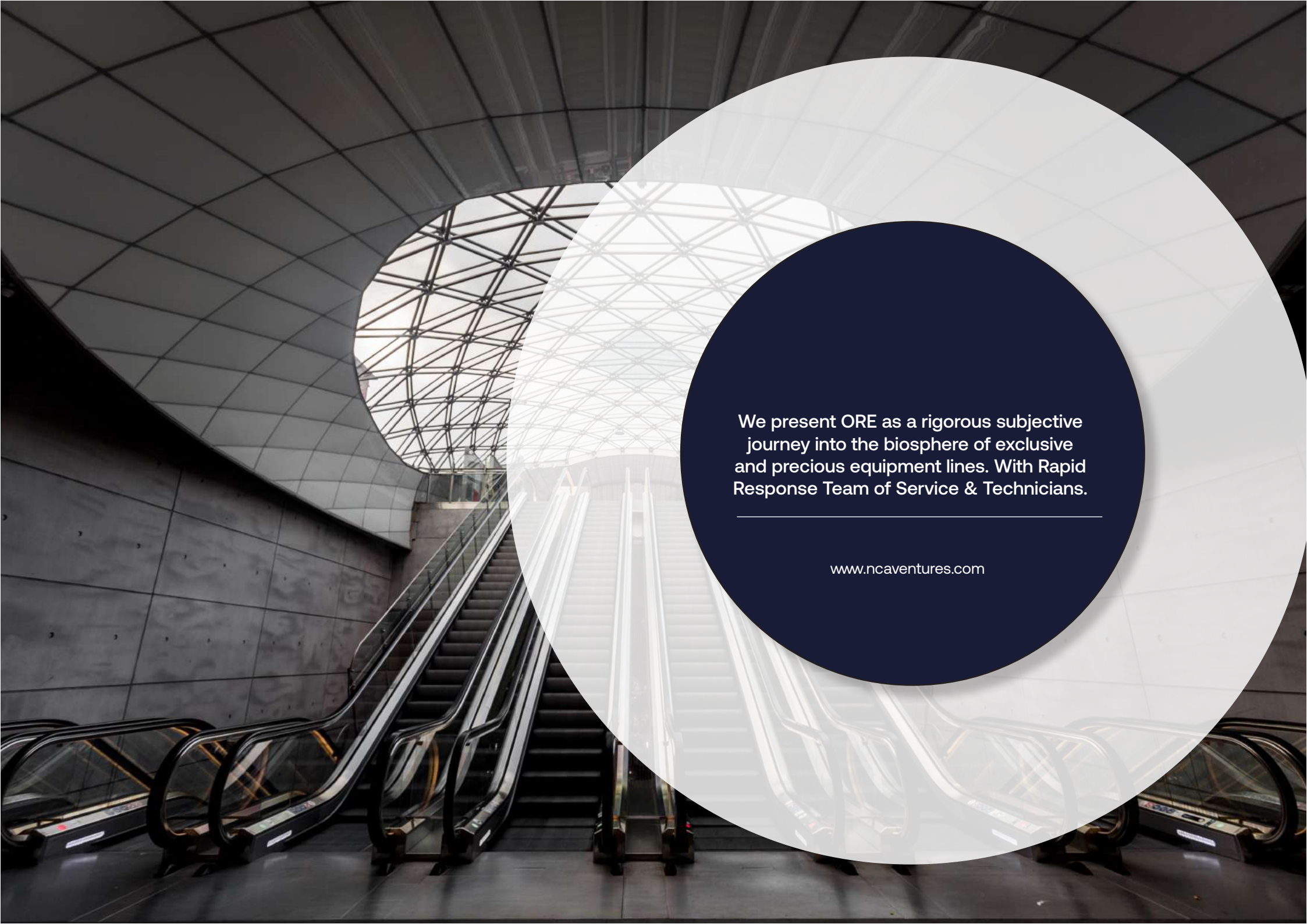
ORE is a Specific hall
mark of Highest quality
Escalators & Elevators



www.ncaventures.com



Scaling New Heights of
Products offering outstanding
performance & consistency.



We present ORE as a rigorous subjective journey into the biosphere of exclusive and precious equipment lines. With Rapid Response Team of Service & Technicians.

www.ncaventures.com



ABOUT NCA VENTURES

NCA VENTURES PVT LTD is a pioneer industry leader, has built its decades-long heritage on a foundation of intelligence, intensity, and integrity, and a leading venture in diverse market segments of Building, Escalators and Elevators, Interiors and trading. The Company has earned recognition for undertaking large, complete projects, fostering innovation, embracing emerging technologies, and making a difference for their clients, employees, and community with a Culture of Innovation.

With a rich resource of employees, the Company completed its 38 years of legacy with an unceasing commitment to project success. The industry Intelligence we have cultivated through decades of good work translates directly to smarter solutions for our clients today. Over the last 38 years, we have honed the intensity, and responsiveness adaptability necessary to deliver on projects of this scale.

NCA Elevators & Escalators offers a wide range of services of Home and Passenger Elevators, Capsule lifts, Hospital elevators, Car lifts, Dumbwaiters, Escalators with our innovative and technology knitted services. NCA Elevators & Escalator are equipped with self-reliant manufacturing units, with global players of Technological support which suits, personal and commercial needs. With early acceptance and trust, we started designing, Manufacturing, and Installation of Our own Brand- NCA Elevators & Escalators. We provide AMC Contracts, Assembling, and Maintenance & Services right from the stage of installation to future maintenance, on time.

We provide Consultancy Services for Elevator Installation and Managementservices, over and above installation Services. So our Services to clients can be diversified into Maintenance, call backs, modernization and Repair of all types of Elevators and Escalators. In a short span, we have been successful in providing our products to a wide range of industries and organizations. In addition to the Culture of Innovation we back our products with a competent workforce for the sharp execution of projects and also for maintenance as per customer's needs today.

**“Open the
doors of Ore...
You can see
Innovative
Flow”**

VISION

“

Our Vision is to create Actual, Comfort, and Expertise solution and entrench sustainability even advocated across all of our operations with a Culture of Innovations.

“

To create a Pioneer in World where Technology and Infrastructure creates Opportunity for everyone with a Culture of Innovations by uplifting populations improving access and sustaining Human life, by ongoing commitment to ourselves-Doing right things.

MISSION



BRAND OVERVIEW

NCA - ORE

ORE provides industry leading Premium eco-efficient elevators, escalators, auto walks and advanced people flow solutions. Our comprehensive premium elevator structure novel, the outward appearance modeling elegant, is a concentration of environmental protection, energy savings safe and contented in an elevator products.

Our State of the art elevator products offer outstanding performance, consistency, as well as aesthetics and sophistication. Offering complete flexibility, we can amend out products and designs to meet our valuable clients, desires and specifications from our wide range of products and stylish interiors

Not only are we whizzes in installation, we are also very passionate about maintain and extending the life cycle of our customers treasured assets. Whether its maintenance, modernization or repair, you can depend on Ore to deliver quality services that will exceed expectation. We a company of integrity, intensity and intelligence and our attention to details is second to none. ORE elevators have very effective procedures put into place for our clients and we aim to maximize value, convenience, customer satisfaction and equipment lifecycle.



“

More is an Attitude, each exertion of **NCA ORE** is focused at accomplishing the essence of “MORE “for you! More Expertise aimed at **More Rapidity, More Coziness, and More Security & Still More!**

NCA ORE vs NCA HASPEX

Why Choose NCA ORE

ORE is a specific hall mark of highest quality escalators. We present a rigorous subjective journey into the biosphere of exclusive and precious equipment lines. Our brand represents the skills, passion and pride of our employees. Their expertise is established and perceptible in the excellence of our products.

NCA ORE

Long Term Partner to
Quality

Obdurate maintenance

Quality , Reliability
&Service

Modernizing skills

Exceptional Services

Project liaison and support

Every Minute Call
Service

Improved Industry
Standards

NCA HASPEX

Bespoke Maintenance
Packages

24/7 Customer Care

Open Protocol
Equipment

Concise and Clear cost
on all our products.

In -House engineers

Rapid Response Team of
Technicians

WHY ORE & HASPEX

- Delivering Exceptional End results
- Personalized Service with Warranty
- Pioneering in Implementing Innovative Technology
- Safety, Workmanship & Usability Technology
- Durability, Operability & Reliability and Quick Delivery Times
- Eco Friendly & Energy Efficacy



ORE-COMFY RESIDENTIAL

Ore Comfy Residential Lift , a custom-made solution carries a range of models, tailored to bout the beauty and uniqueness of any home. Ore safeguards residents with a quick, comfortable, and comfy status to daily life. Our choice of domestic lifts makes movement flow easier, providing heightened everyday practicality while also adding a little more luxury and elegant royal flow to your home.



ORE PASSENGER LIFT

Ore- Passenger lift is having years of working knowledge with foremost designers and wangles transports an unparalleled variety of passenger lift resolutions. Our Passenger lifts allow for the quick and sage movement of people through a building with innovative technology that allows the lift to travel faster and increase the building lift traffic capacity. Our passenger lift is designed by their speed and concert and, with our bespoke amenities, we can adapt lift designs to meet the exclusive vertical transportation necessities of each client.



ORE CAPSULE LIFTS

Our Capsule lifts are the unique identity of ORE which is the combination of the creativity and aesthetics of our team. Our capsule lifts full glass façades making them highly desirable as even a decorative addition to the building. Its eye-catching exterior and dazzling interior will add a glorious outlook to your commercial complex, theatres, and shopping malls, where delicacy and luxury cannot be compromised.



ORE HYDRAULIC LIFTS

In the hydraulic lift, we provide our customers with a range of customized cabins which could be glass structures too so you get a complete panoramic view while on travel and it is having low energy consumption. These are pitiless, machine rooms run on just a single-phase power supply its magnificence that it can match with every interior enhancing the looks of your spaces, and its versatility will attract our customers more.

ORE ELEVATORS & INTERIORS

Premium brand of NCA Elevators and escalators focused on the interior aesthetic essence. These cabins give a secure, Luxury, and premium feel to the passenger.

Ore premium cabin Options Include

- ① Golden finish Elevators- (Ore Premium)
- ① Stainless steel Elevator with mirror finish-(Crystal Ore)
- ① Stainless Steel elevator -Rose Gold finish-(Ore Ultrapremium)
- ① Rose Gold Itching Elevators-(Ore Executive)





Components

ORE DOORS

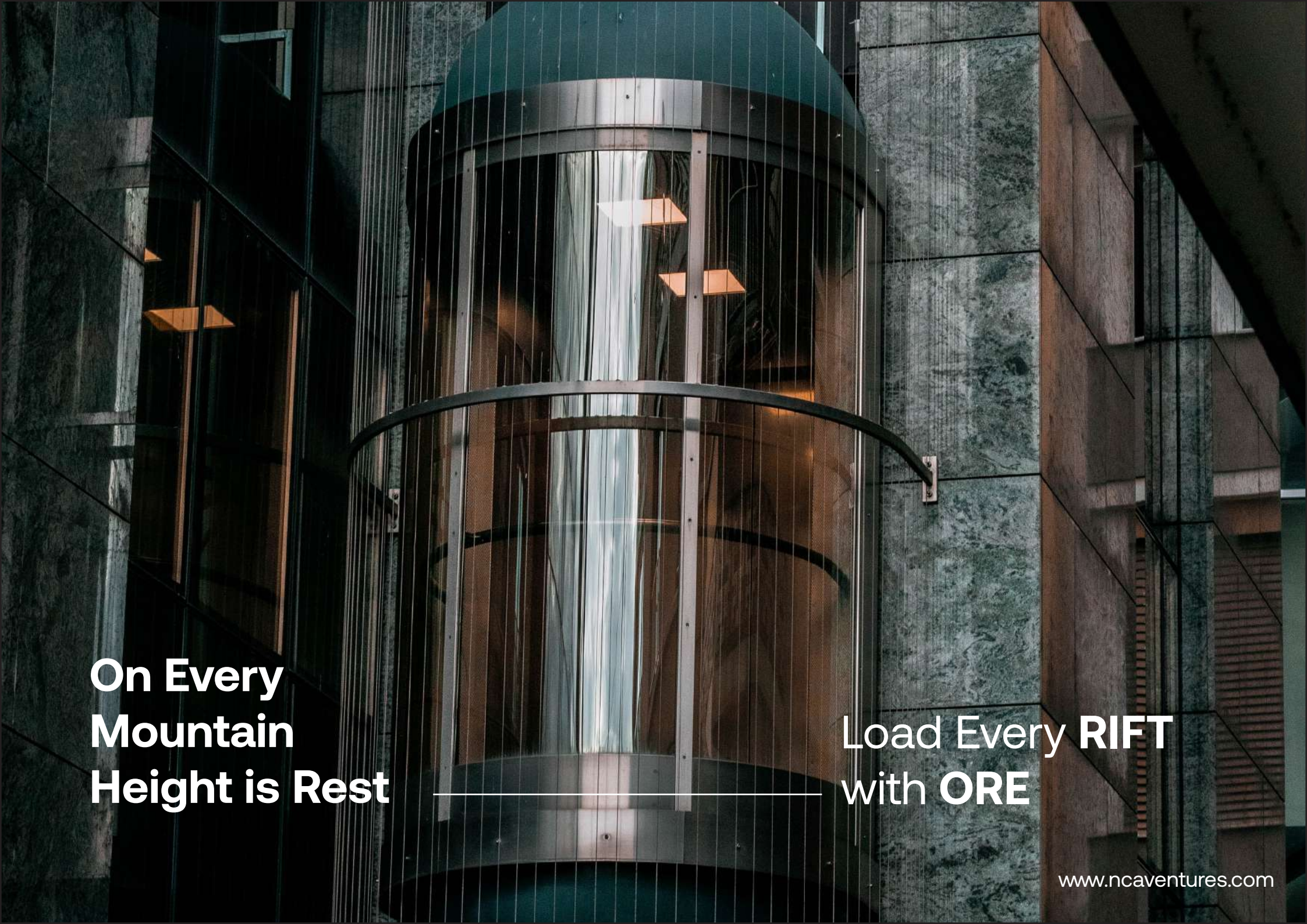
Integrating Culture & Innovation to the world of Heights

- Low noise, reliable and smooth operation using advanced technology.
- Wide span of life with minimum maintenance
- Wide variety of choices depending on the needs of your building.



ROYAL TOUCH IN CEILING

NCA Ore manufactures many different types of ceilings custom tailored to each elevator cab design. It is equally important to select lighting that will coincide with the design and will set the proper tone to accentuate the design and materials used in the cab. We engineer each ceiling carefully selecting quality LED light fixtures set to the proper temperature, not only from a design perspective, but also for longevity of use.



**On Every
Mountain
Height is Rest**

Load Every **RIFT**
with **ORE**



**Innovation for a
sustainable future
and Optimize our
New Normal Life**

PASSENGER LIFT



STANDARD PASSENGER ELEVATORS

HASPEX marks elevating simple and relaxed. Our standard option is designed to oblige low to mid rise buildings, contentedly, inaudibly, resourcefully, and it reduces travel energy and support to accomplish maximum energy adeptness rate and give fertile resources for our customers, and also rallies safety and innovation.



Our Hospital lifts having comprehensive variety of stretcher lifts that can be tailored to hospital requirements. It is used for hospital purpose, adapted as per customer stipulations, with the best possible performance, and smooth procedure typically employed in health and nursing homes with low quivering and voice control, high motionless load capacity and commanding driving force with low power loss and consumption.


HASPEX HOSPITAL LIFTS



HASPEX CAR ELEVATORS

NCA HASPEX car elevators is suitable for both indoor and outdoor use and ascribe great prominence to different designs that can be customized to our needs. Our HASPEX car lifts designs line offers simple, yet refined style options, keeping planning time and budgets down with innovative aesthetic designs.





We NCA elevators & Escalators are leading manufacturer and dealer of Multi Level Car Parking System. Multi-level Parking systems for some time have provided relief since they come with a number of advantages - optimal utilization of space, lower maintenance space and operational cost, lower construction cost (owing to the prefabrication), secure and environment-friendly nature (the underground implementation renders the outdoor space free for landscaping), comfortable for the drivers, cost-saving for builders by saving height or depth.

HASPEX MULTI LEVEL CAR PARKING SYSTEM



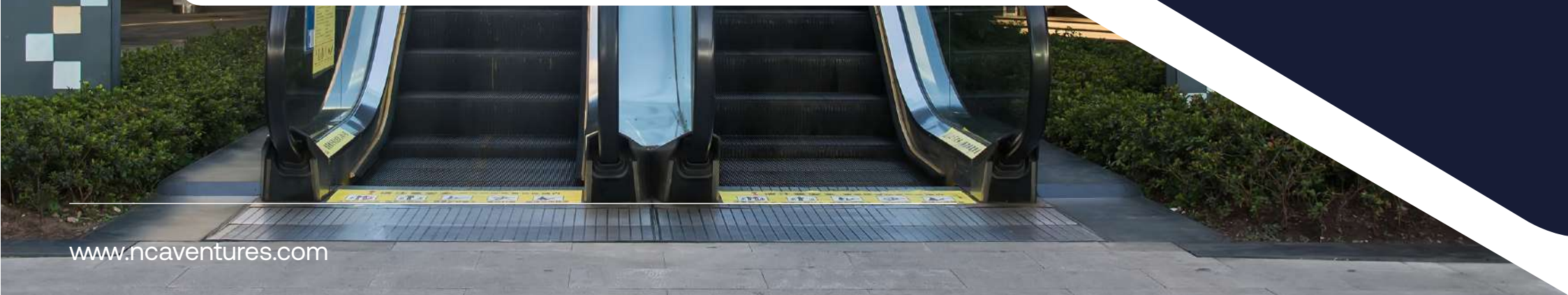
GOODS ELEVATOR

Goods Lifts are used for lifting heavy or light industrial material. Specially designed for various industrial applications, these lifts are renowned for optimum performance with low maintenance. . We offer a wide range of Freight Elevators for various kinds of applications with a capacity ranging from 500 Kg to 16000 Kg. down with innovative aesthetic designs.



NCA HASPEX Escalators are the ideal solution for new installations in hotels, hospitals, and public and commercial buildings. HASPEX offers unique, tailor-made design services for commercial or heavy duty Escalators that feature exceptional ride quality, safety and energy efficiency.

ESCALATORS



**FOR
STANDARD
OUTCOME
INCLUDES**



TECHNICAL SPECIFICATIONS

Description	Gie	Haspex
Maximum speed	1.75m/s	1.75m/s
Gearless motor compatibility	Yes	Yes
Geared motor compatibility	Yes	Yes
MRL applications compatibility	Yes	Yes
Warranty with activation code	Yes	Yes
Open loop (without encoder)	Yes ,With Geared version you can use. you need additional 2 nos. Monostable reed switch & 10 cm magnets as per number of stops .	YES
Shaft learning with incremental motor encoder	Yes	Yes
Shaft learning with absolute motor encoder	Yes	Yes
Direct landing	Yes	Yes
Automatic shaft learning	Yes	Yes
Floor level adjustment through menu & keypad	Yes	Yes
Firmware update and parameter transfer via SD card	Yes	Yes

Description	Ge	X Haspex
Automatic Car light control system	Yes, time for car light can be adjust by parameter setting	Yes
Error log record with date & time	Yes	Yes
Car arrival gong	Yes	Yes
Motor current lower limit working	2.5 A	2.5 A
Brake supply	it can be change to 220Vac, 207Vdc	110Vdc
Serial communication (CANbus)	Yes (For LOP & COP)	-
Plug & play wiring Harness	Yes ,LOP & COP Harness available with serial communication option .	-
Parallel communication	Yes	-
Earthquake mode	Yes ,It can be enable with parameter setting	-
Fire evacuation and Firefighter mode	Yes ,It can be enable with parameter setting .	-
Access Card Interface	Yes with Parallel	-
Panic application and panic stop	Yes ,It can be enable with parameter setting .	-

Description	Ge	X Haspex
Efficient ARD logic	Yes, time for car light can be adjust by parameter setting	-
Car Call cancellation when button pushed twice	Yes ,It can be enable with parameter setting	-
Group operation compatibility for systems with unequal number of stop	Yes, bottom & top missing floors (max 9 floors)	-
Low top / Low pit	Yes	-
Park mode	Yes ,It can be enable with parameter setting .	-
Built -in announce system on inspection box board	Floor announcement, special message announcement (Welcome & Goodbye)	-
Automatic, Semi automatic, Manual door options	Yes ,for manual door you need additional system with transformer with rectifier for Manual door .	-
Manual door open warning	Visual Warning : with “L” & “C” in LOP/COP display Audible buzzer: with MDW function by programmable relay. Need to use external buzzer	-
OSG remote Set-Reset function	Yes (in ARCUBE MRL version)	-
Attendant mode, VATman mode	Yes ,It can be enable with parameter setting .	-
Phase order control	Yes ,It can be enable with parameter setting .	-
Antirollback function with pre-torque	You need Overload system with analog output	-

Description	Ge	X Haspex
Comfort level	Yes, it can be set by parameter	-
Password	Yes, single user level up to 6 digit number can be set	-
Manual brake release control	Yes ,through SEV key & compatible only with synchronous machine controller .	-
Low top / Low pit Remote Access by Arlift	Remote monitoring, remote dignosis of failure ,Error notification,Full parameter control, maintainance time control for on/off lift remotely,Error reset,MOT device pairingstatus,Contactless Elevator call system by QR code	-
Alarm and intercom system by Arline	Yes	-
Smart pre-torque estimation	Yes, it can be enable with parameter setting	-
Single phase inatallation and motor drive capability	Yes, it can be enable with parameter setting. For ARD operation	-
Position reset after power down	Yes, In Gearless version (with Absolute encoder)	-
Error log record with date & time	Yes	-
Door state after rescue (evacuation by active driving)	Yes,by parameter doors after evacaution can be controll if it stays open or can be close after unloading time	-
Car fan button operation	a) With button + Auto b) Without button Auto	-

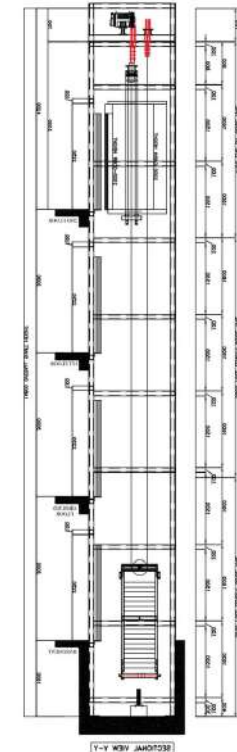
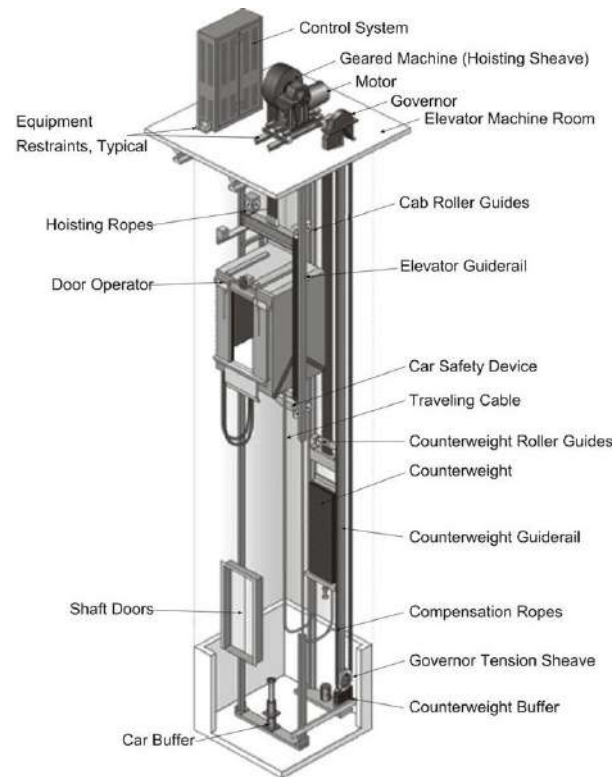
Description	Gie	Haspex
Direction change count	lift will stop working after direction change count limit reach	-
Maintenance time control	Yes, with date and time.	-
Overload protection	Overload protection	-
Full load bypass	Yes,Single user level password can be set	-
Safety Gear unjamming retry	yes, It can be enable with parameter setting	-

Car Operating Panel & Hall Button Station

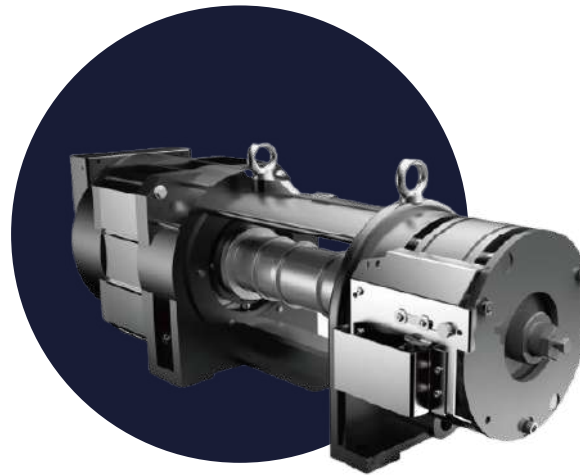
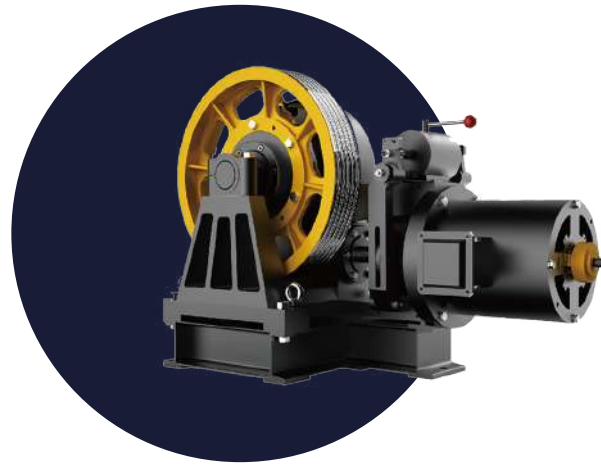
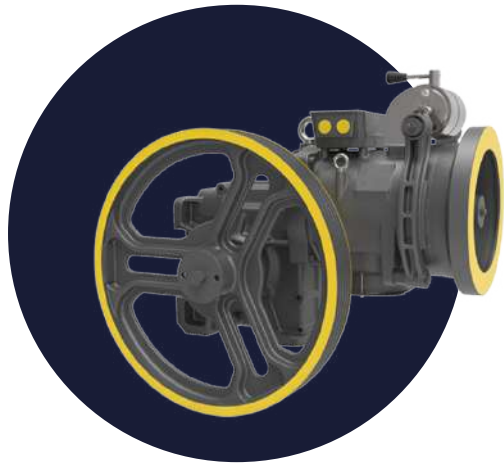
- ① Stainless steel plates ,satin,mirror or patterned etc available
- ① full height stainless steel hairline finish with integrated battery-backed Emergency light and Push to Talk System.
- ① The stainless steel finish landing hall button station with an illuminated touch-sensitive button with LCD and scrolling direction display.



ELEVATOR SYSTEMS



Machine Room-Less (MRL) Elevator is traction elevators that feature a compact motor drive mounted on the car itself. MRL Elevator allow you architectural flexibility, but they also provide fast, powerful and energy-efficient transportation.



ELEVATOR SYSTEMS

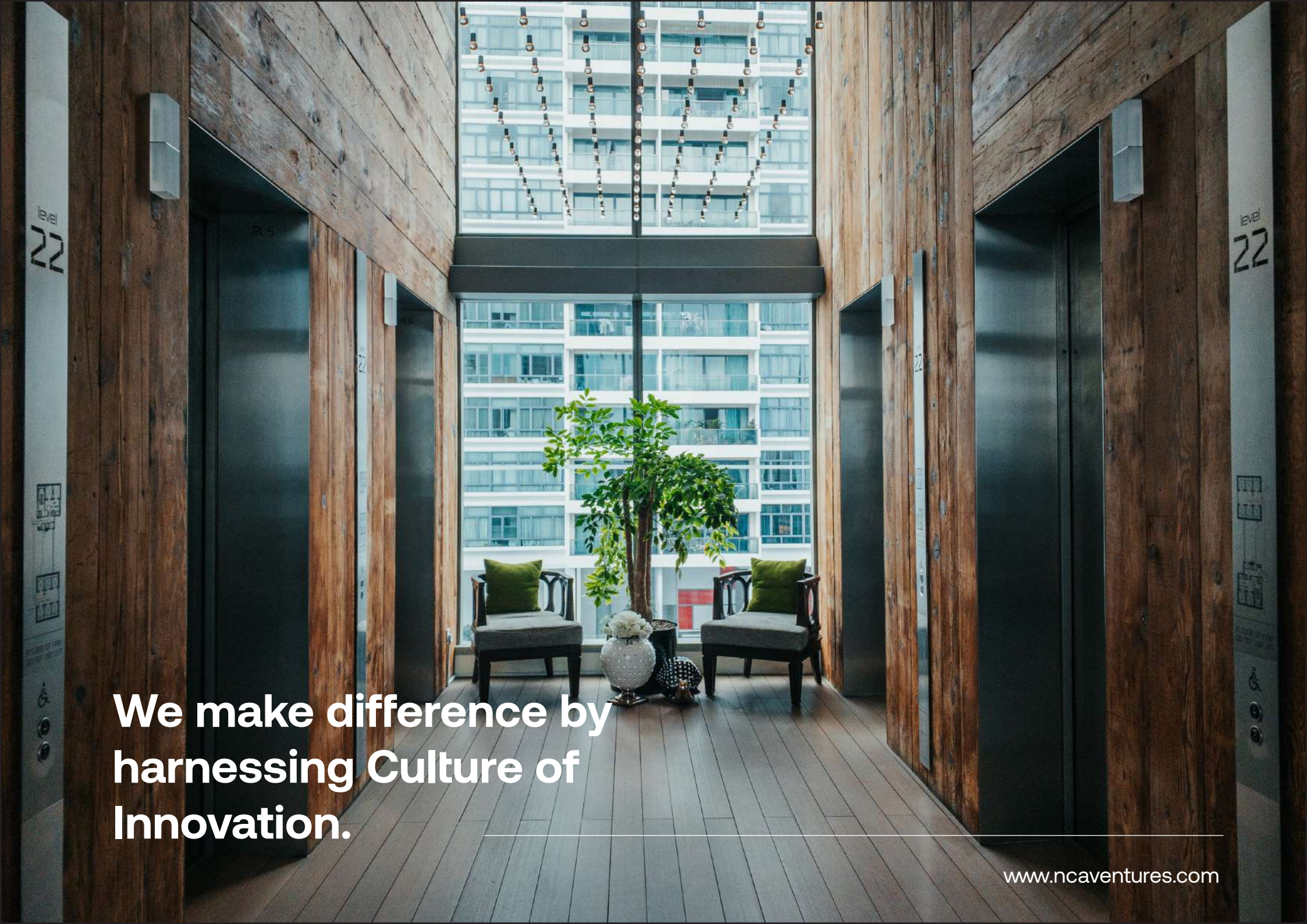
- Latest Technology
- Low Noise

- Effective & Energy Saving
- Gearless Technology Available

- Green Environmental Protection
- Compact Size

NCA Elevators Civil Dimensions

LOAD		CAR INSIDE		LIFTWELL		ENTRANCE MACHINE ROOM			TYPE OF DOOR
PERSON	KG	A	B	C	D	E	K	L	
4	272	1100	700	1400	735	735	2900	3700	Manual
5	340	1200	940	1600	1300	735	3100	3800	
6	408	1100	1000	1600	1400	735	3100	3900	
8	544	1300	1100	1800	1550	735	3300	4050	
6	408	1100	1000	1900	1600	800	3400	4100	Automatic
8	544	1300	1100	1900	1900	800	3400	4400	
10	680	1350	1300	1900	2100	800	3400	4600	
13	884	2000	1100	2500	1900	900	4000	4400	
16	1088	2000	1300	2500	2100	1000	4000	4600	
HOSPITAL ELEVATORS									
16	1020	950	2400	1700	3000	800	3700	5500	
20	1369	1300	2400	2200	3000	1200	4200	5500	
SPEED (Mps)		IT DEPTH		OVER HEAD					
Up to 1.50		1600		4800					
Over 1.5 up to 2.5		2600		5700					
Over 2.5		2600		6700					



**We make difference by
harnessing Culture of
Innovation.**

Let us Keep in Touch

Our Contact

Head Office:

NCA VENTURES PVT LTD

TC 49/2231 Pandaravila Plaza
Vellayani Junction Nemom P.O

Sales Office:

NCA VENTURES PVT LTD

TC 58/257-2
Near MG College, Vandithadam
Thiruvallam PO 695027



info@ncaventures.com



+91 95 67 30 0009



www.ncaventures.com

