

SPECIFICATION GUIDE

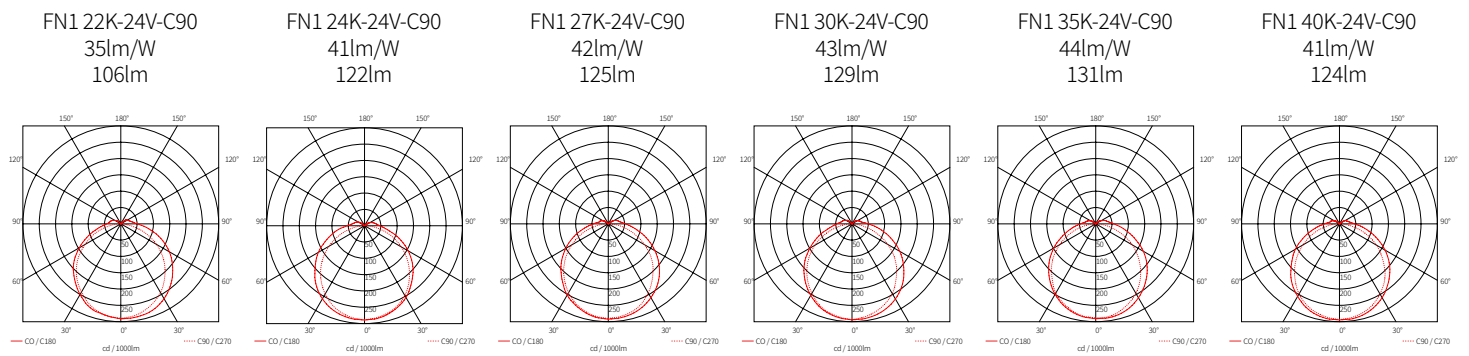
NOT TO BE USED FOR ORDERING. The Specification Guide is intended solely to ensure that all options are considered.

MODEL	COLOR	FEED TYPE	MOUNTING	EXTRUSION	DRIVER	CONTROLS	VOLTAGE
FN1 FN2	22K -2200K* 24K -2400K* 27K -2700K 30K -3000K 35K -3500K 40K -4000K R - Red* G - Green* B - Blue*	STD - Straight Feed LS - Left Side Feed BS - Bottom Feed*	STD - Flat Brackets BK2 - 15°/ 40° Brackets	EXL-4' Extrusion EXL-FLEX - 3.3' Flexible Extrusion	CP - Cable/Plug HW - Hard Wire TD - 3rd Party Drivers Consult Factory	NDM - Non-Dim 0-10V FPH - Forward Phase DALI - DALI Interface DMX - DMX Interface	120V 230V 277V

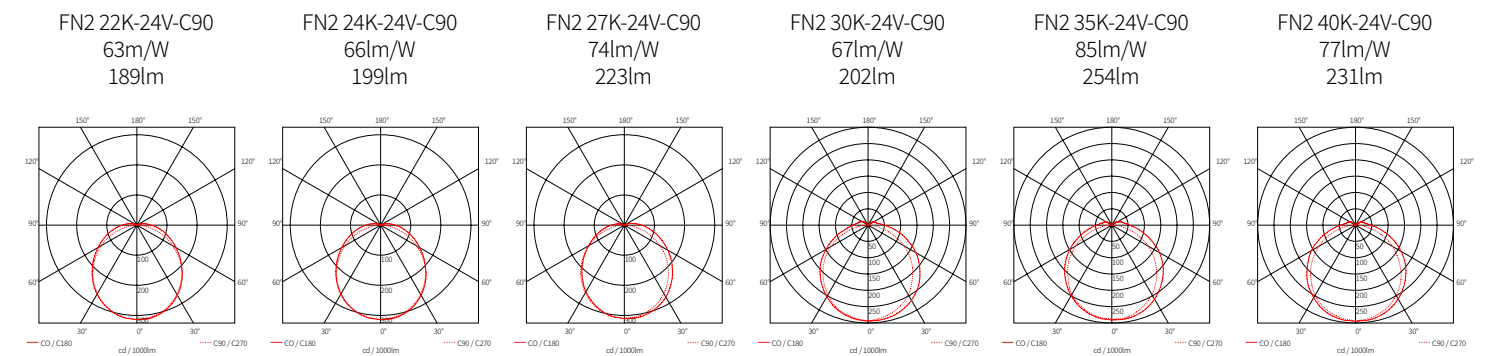
* Available, Made to Order Consult Feelux Lighting

BEAM SPREADS

- FLXible Neon1



- FLXible Neon2



COMPONENTS_FLXible Neon1



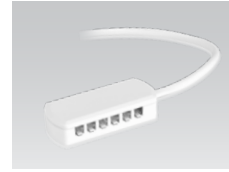
FLXible Neon 1-Straight Feed

- __FN1-(color)K-24V-C90-5m(16.4')
- __FN1-(color)K-24V-C90-4m(13.1')
- __FN1-(color)K-24V-C90-3m(9.8')
- __FN1-(color)K-24V-C90-2m(6.6')
- __FN1-(color)K-24V-C90-1m(3.3')



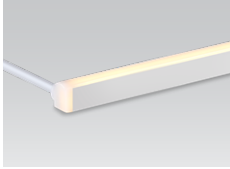
Dimming Interface (0-10V)

- __FDC-L10 *
- Max. 100W (100W/CH, 1CH)



12 Port Hub

- __D12P-HUB
- Included with Cord and Plug drivers. Order separately for Hard Wire or 3rd Party Drivers



FLXible Neon 1-Left Side Feed

- __FN1 (color)K-24V-C90-LS-5M(16.4')
- __FN1 (color)K-24V-C90-LS-4M(13.1')
- __FN1 (color)K-24V-C90-LS-3M(9.8')
- __FN1 (color)K-24V-C90-LS-2M(6.6')
- __FN1 (color)K-24V-C90-LS-1M(3.3')



Control Interface (0-10V)

- __FDD-L20
- Max. 200W (100W/CH, 2CH)



LED Drivers

- __FLC30-24V/XL (30W) *
- __FLC75-24V/XL (75W) *
- With distributor and power cord 1800mm (6')



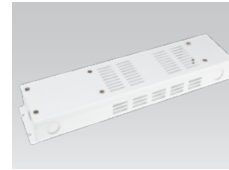
FLXible Neon 1-Bottom Feed

- __FN1 (color)K-24V-C90-BS-5M(16.4')
- __FN1 (color)K-24V-C90-BS-4M(13.1')
- __FN1 (color)K-24V-C90-BS-3M(9.8')
- __FN1 (color)K-24V-C90-BS-2M(6.6')
- __FN1 (color)K-24V-C90-BS-1M(3.3')



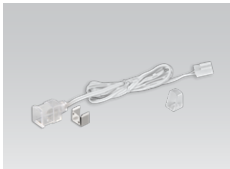
Control Interface (DALI)

- __FDD-L1DA
- Max. 200W (100W/CH, 1CH)



Driver Junction Box

- __MHWB-FLE



Indoor Power Cable -Straight Feed

- __FN1-INPC (8.2')
- with END CAP



Control Interface (0-10V, DMX512)

- __FDA-L2MO
- Max. 200W (100W/CH, 2CH)
- __FDA-L5M
- Max. 200W (50W/CH, 5CH)



Hard Wire Driver

- __XLD200-224V-FCL-DIM (0-10V)
- __XLD75-124V-FC * (90V to 300V)



Indoor Power Cable -Left Side Feed

- __FN1-INPC-LS (8.2')
- with END CAP



Control Interface (Zigbee)

- __FDD-L2Z



Hard Wire Driver

- __FLE60-24V-L10-DIM (Linear)
- __FLE90-24V-L10-DIM (Linear)



Indoor Direct Connector

- __FN1-INCP



Wireless Control (Zigbee Switch)

- __FSM-Z1

A larger selection of drivers are available including remote and hard wire drivers. Please consult factory.

* FLC30, FLC75 and XLD75 require the FDC-L10 for 0-10V dimming



Indoor Connecting Cable

- __FN1-INPTC (6")
- __FN1-INPTC1 (1')
- __FN1-INPTC2 (2')
- __FN1-INPTC4 (4')
- __FN1-INPTC6 (6')



Door and motion sensor

- __FLS-M24V



Field Termination

- __FN1-FTKIT



Occupancy sensor

- __FLS-P24V



Mounting Brackets

- __FN1-BRACKET1



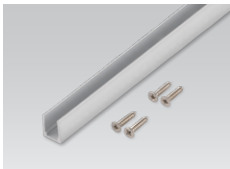
FN1 Flexible Extrusion Line

- __FN1-EXL-FLEX (3.28')



Expanding Stick

- __FN-EPS



FN1 Extrusion Line

- __FN1-EXL (4')



Angled Brackets

- Angled 15°/ 40°
- __FN1-BRACKET2
- Optional

Individual Packaging includes 1 reel, bracket(4 pcs), screw(4 pcs), and end cap(1 pc)

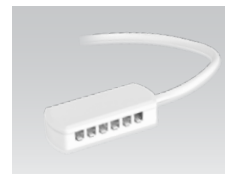
COMPONENTS_FLXible Neon2



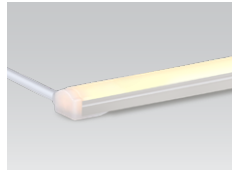
FLXible Neon 2-Straight Feed
 __FN2-(color)K-24V-C90-5m(16.4')
 __FN2-(color)K-24V-C90-4m(13.1')
 __FN2-(color)K-24V-C90-3m(9.8')
 __FN2-(color)K-24V-C90-2m(6.6')
 __FN2-(color)K-24V-C90-1m(3.3')



Dimming Interface (0-10V)
 __FDC-L10 *
 Max. 100W (100W/CH, 1CH)



12 Port Hub
 __D12P-HUB
 Included with Cord and Plug drivers. Order separately for Hard Wire or 3rd Party Drivers



FLXible Neon 2-Left Side Feed
 __FN2 (color)K-24V-C90-LS-5M(16.4')
 __FN2 (color)K-24V-C90-LS-4M(13.1')
 __FN2 (color)K-24V-C90-LS-3M(9.8')
 __FN2 (color)K-24V-C90-LS-2M(6.6')
 __FN2 (color)K-24V-C90-LS-1M(3.3')



Control Interface (0-10V)
 __FDD-L20
 Max. 200W (100W/CH, 2CH)



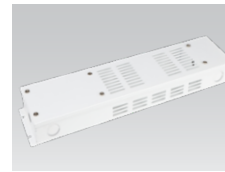
LED Drivers
 __FLC30-24V/XL (30W) *
 __FLC75-24V/XL (75W) *
 With distributor and power cord 1800mm (6')



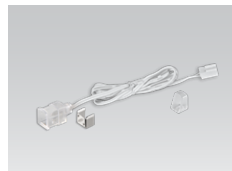
FLXible Neon 2-Bottom Feed
 __FN2 (color)K-24V-C90-BS-5M(16.4')
 __FN2 (color)K-24V-C90-BS-4M(13.1')
 __FN2 (color)K-24V-C90-BS-3M(9.8')
 __FN2 (color)K-24V-C90-BS-2M(6.6')
 __FN2 (color)K-24V-C90-BS-1M(3.3')



Control Interface (DALI)
 __FDD-L1DA
 Max. 200W (100W/CH, 1CH)



Driver Junction Box
 __MHWB-FLE



Indoor Power Cable -Straight Feed
 __FN2-INPC (8.2')
 with END CAP



Control Interface (0-10V,DMX512)
 __FDA-L2MO
 Max. 200W (100W/CH, 2CH)
 __FDA-L5M
 Max. 200W (50W/CH, 5CH)



Hard Wire Driver
 __XLD200-224V-FCL-DIM (0-10V)
 __XLD75-124V-FC * (90V to 300V)



Indoor Power Cable -Bottom Feed
 __FN2-INPC-BS (8.2')
 with END CAP



Control Interface (Zigbee)
 __FDD-L2Z



Hard Wire Driver
 __FLE60-24V-L10-DIM (Linear)
 __FLE90-24V-L10-DIM (Linear)



Indoor Direct Connector
 __FN2-INCPCL



Wireless Control (Zigbee Switch)
 __FSM-Z1

A larger selection of drivers are available including remote and hard wire drivers. Please consult factory.

* FLC30, FLC75 and XLD75 require the FDC-L10 for 0-10V dimming



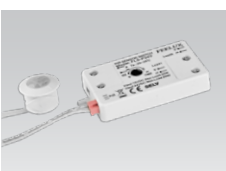
Indoor Connecting Cable
 __FN2-INPTC (6")
 __FN2-INPTC1 (1')
 __FN2-INPTC2 (2')
 __FN2-INPTC4 (4')
 __FN2-INPTC6 (6')



Door and motion sensor
 __FLS-M24V



Field Termination
 __FN2-FTKIT



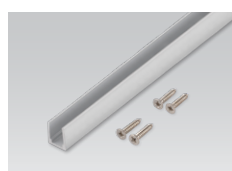
Occupancy sensor
 __FLS-P24V



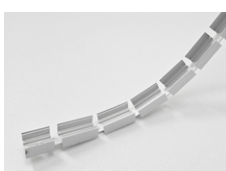
Mounting Brackets
 __FN2-BRACKET1



Expanding Stick
 __FN-EPS



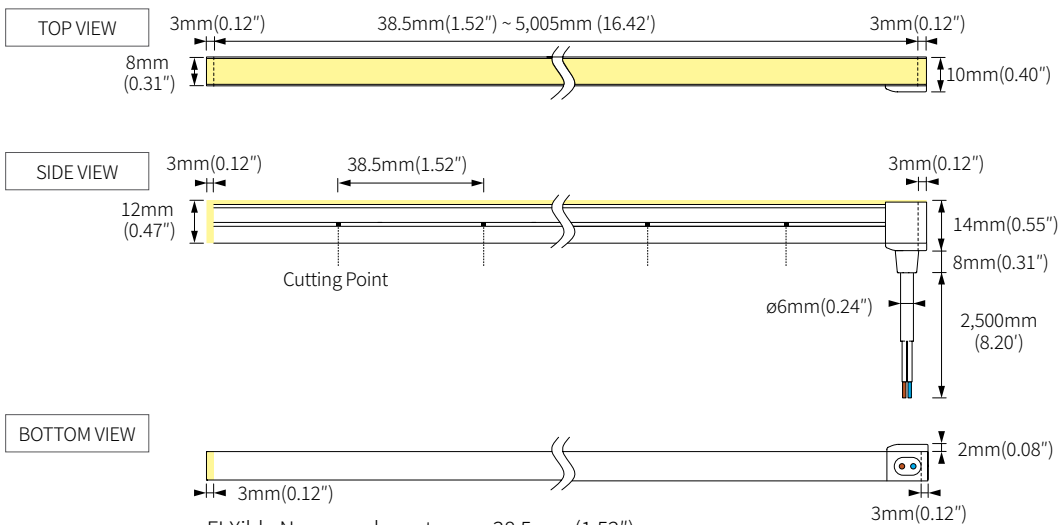
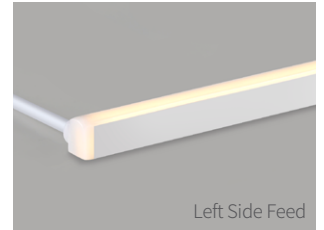
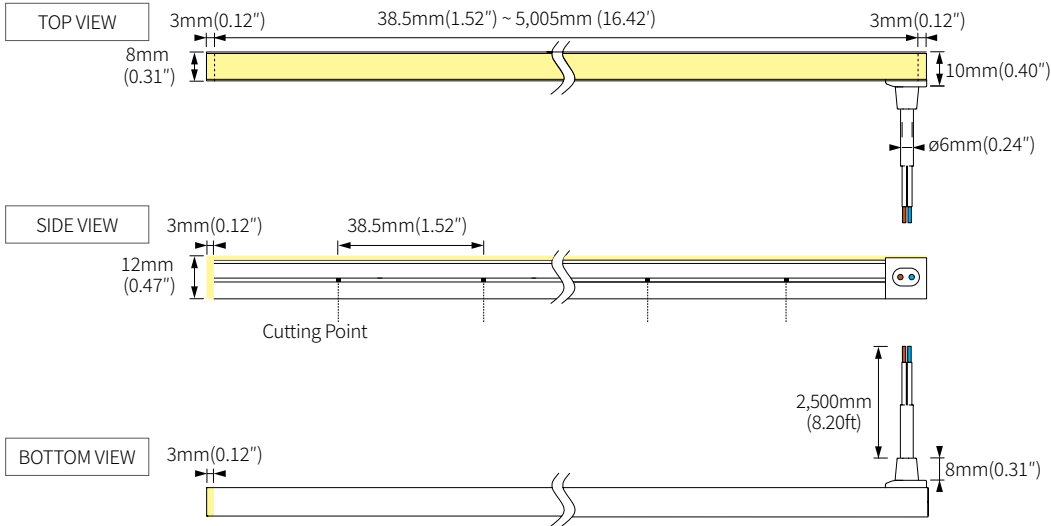
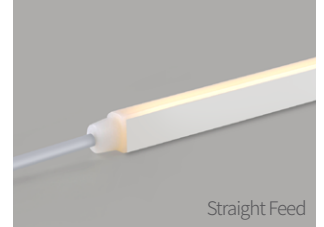
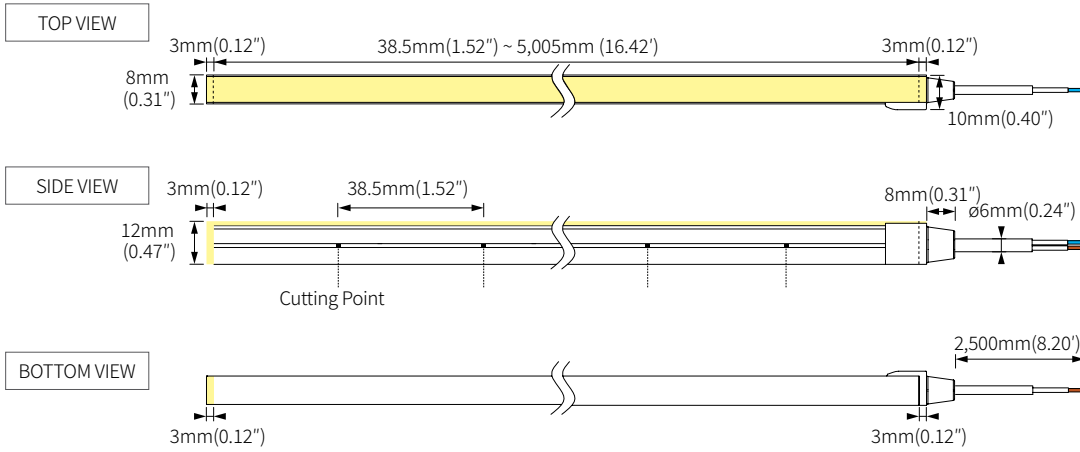
FN2 Extrusion Line
 __FN2-EXL (4')



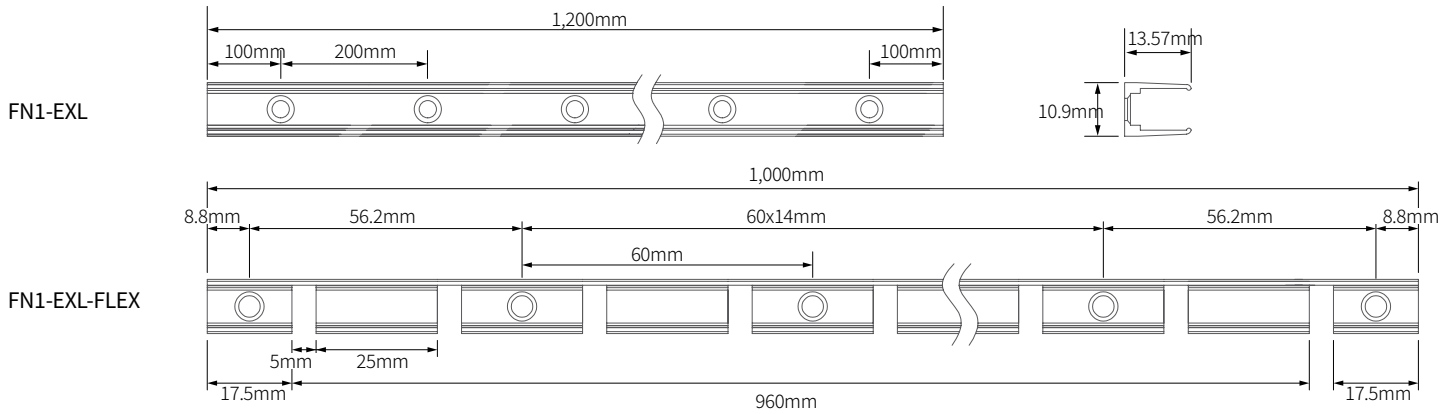
FN2 Flexible Extrusion Line
 __FN2-EXL-FLEX (3.28')

Individual Packaging includes 1 reel, bracket(4 pcs), screw(4 pcs), and end cap(1 pc)

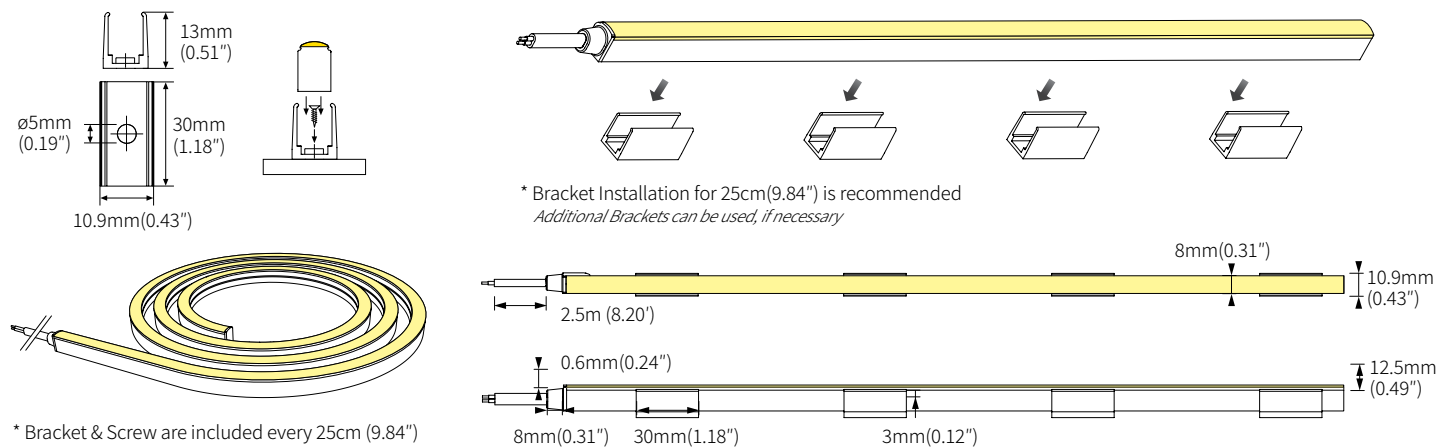
DIMENSIONS_FLXible Neon1



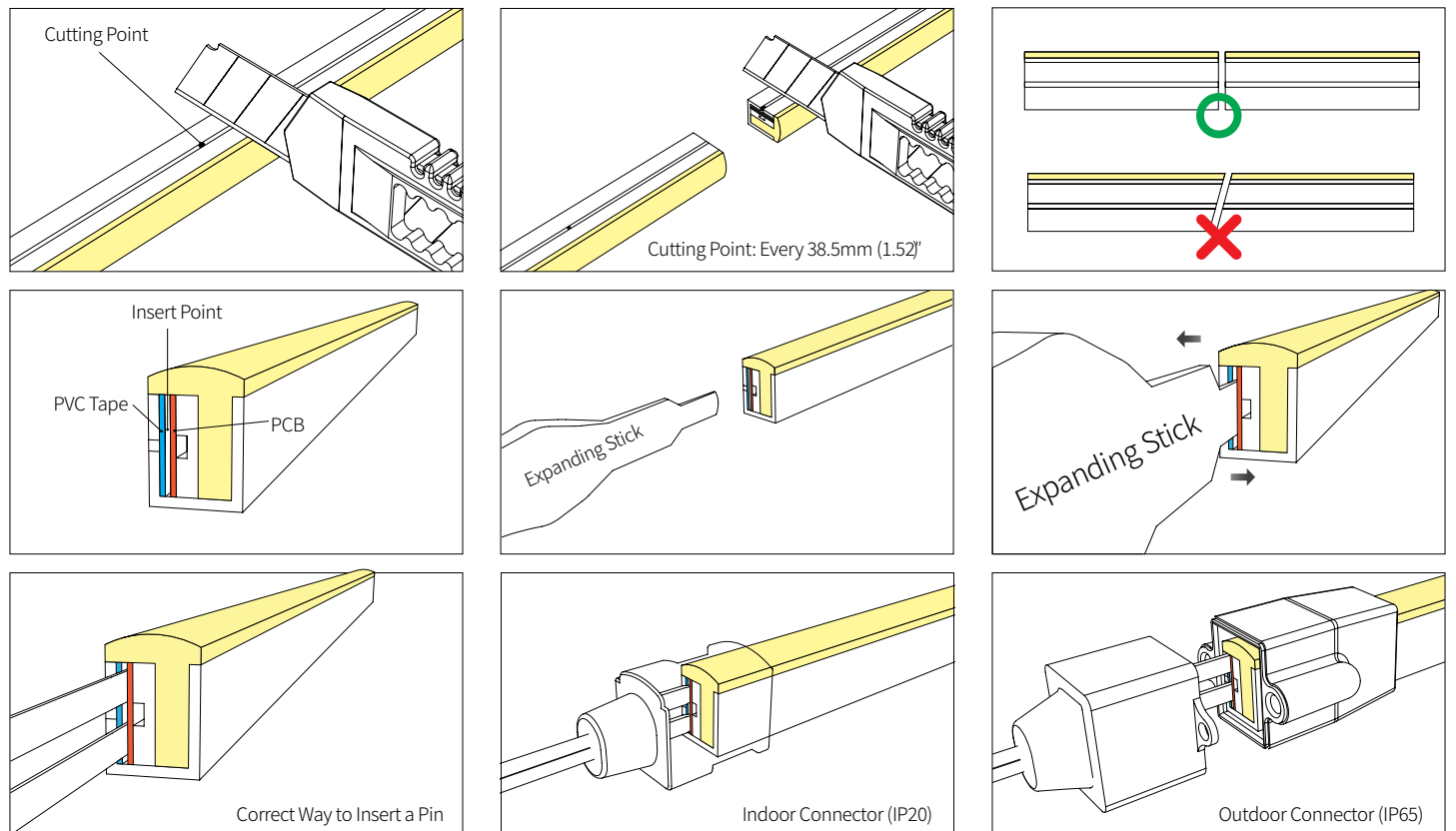
FLXible Neon can be cut every 38.5mm (1.52").
 Please follow the cutting point mark to cut precisely as needed.



INSTALLATION - Bracket

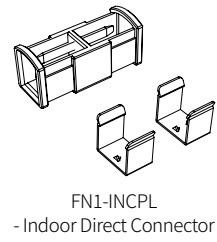
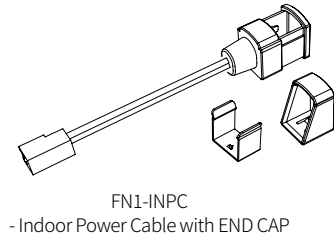


INSTALLATION - Termination Kit

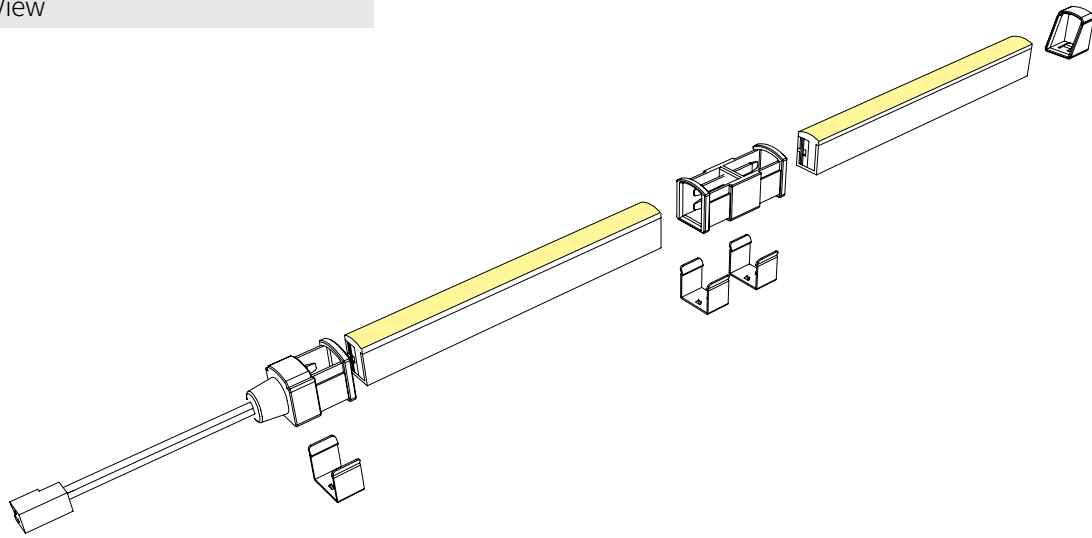


INSTALLATION - Indoor Termination (IP20)

* Components

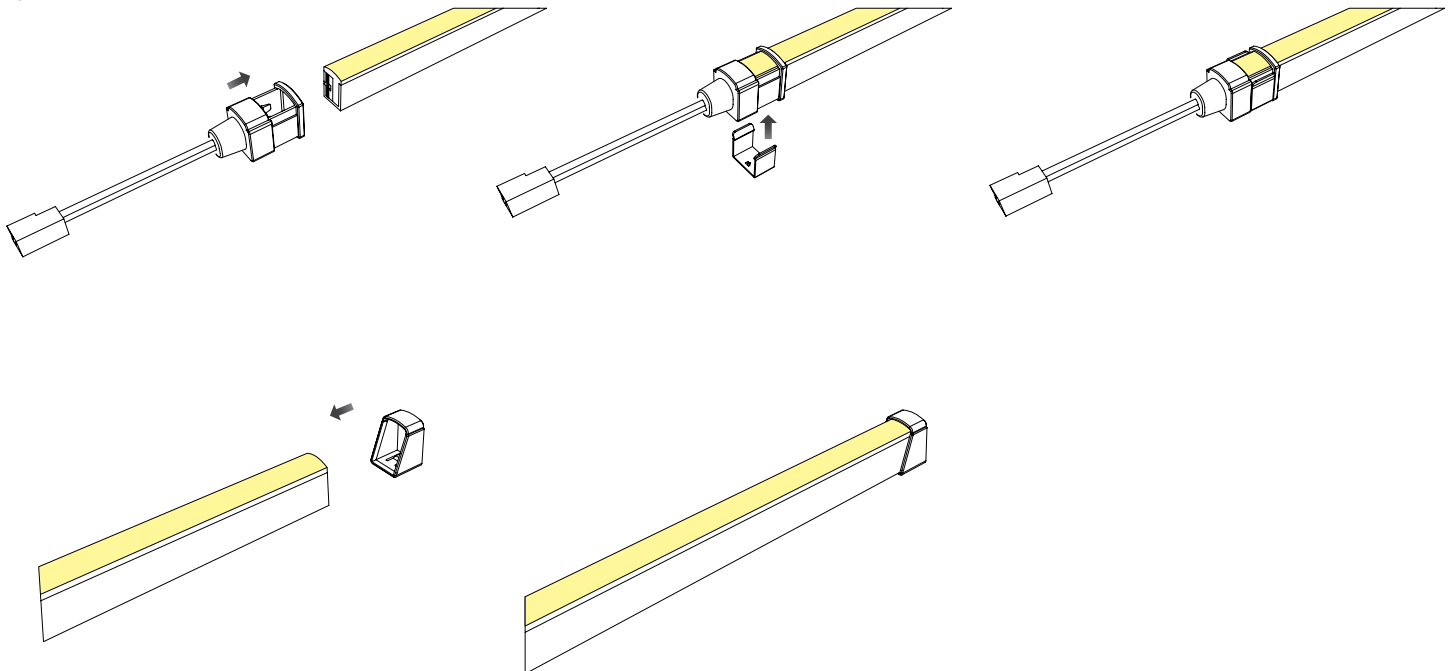


* Expanded View

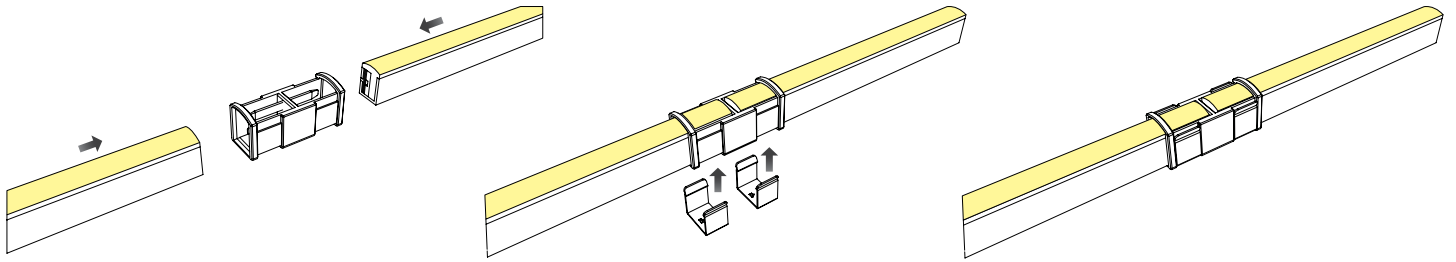


* Installation Method

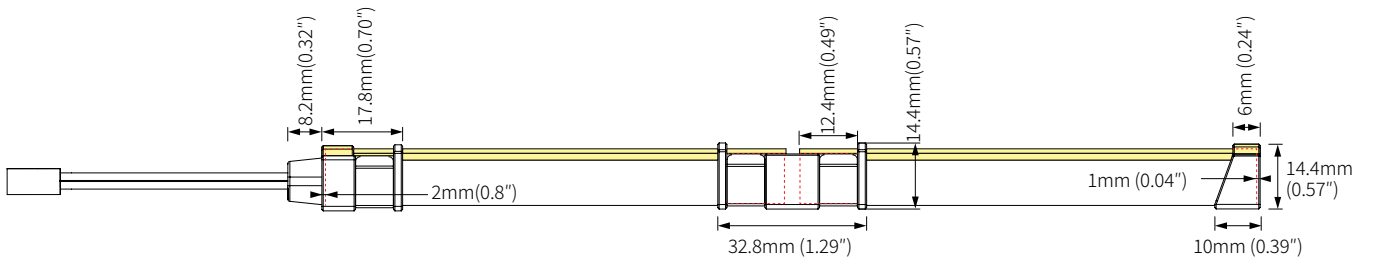
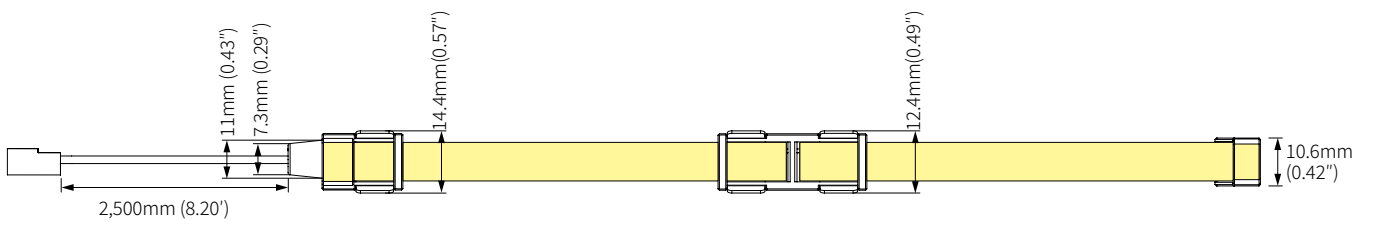
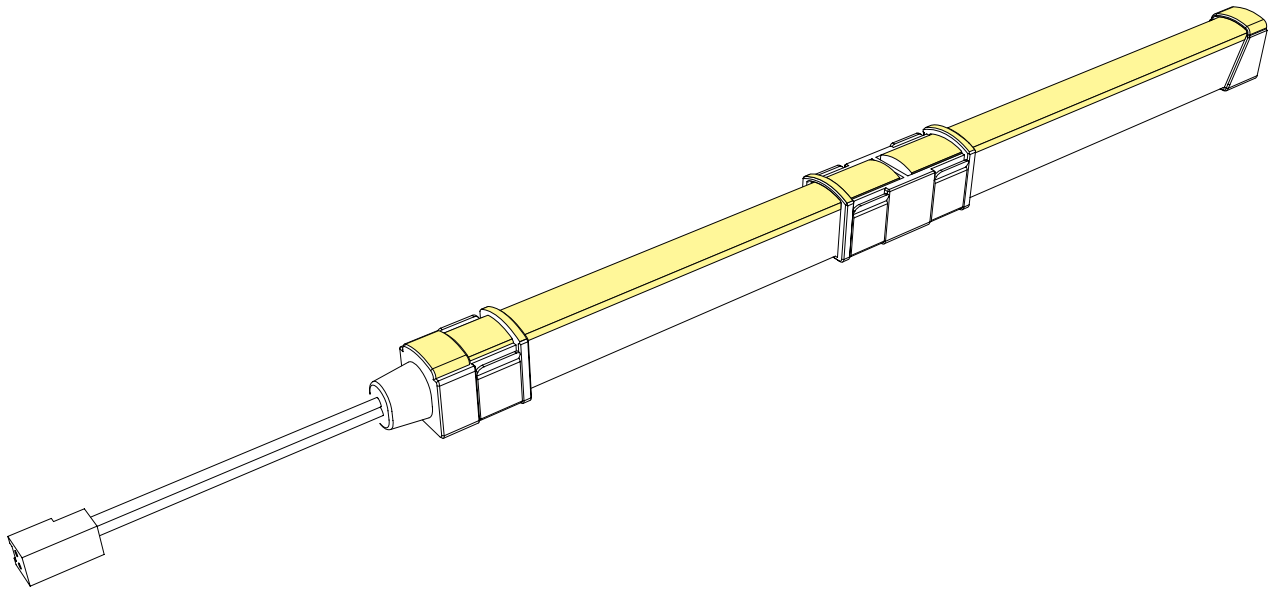
① FN1-INPC



② FN1-INCPL

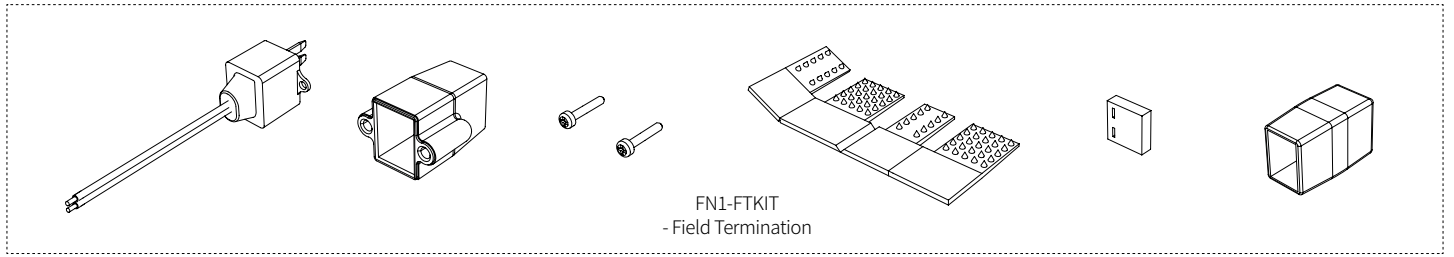


* Finished view

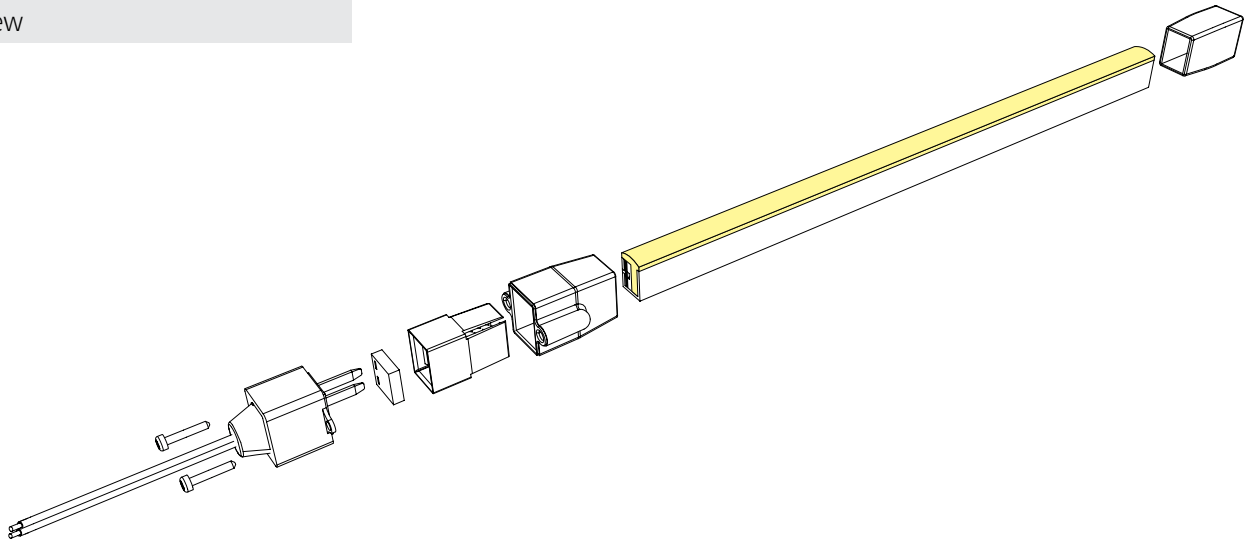


Installation - Field Termination (IP65)

* Components

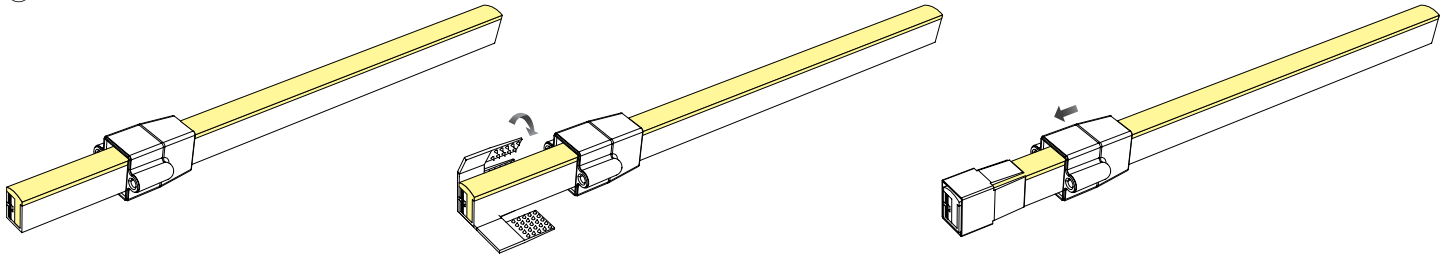


* Expanded View

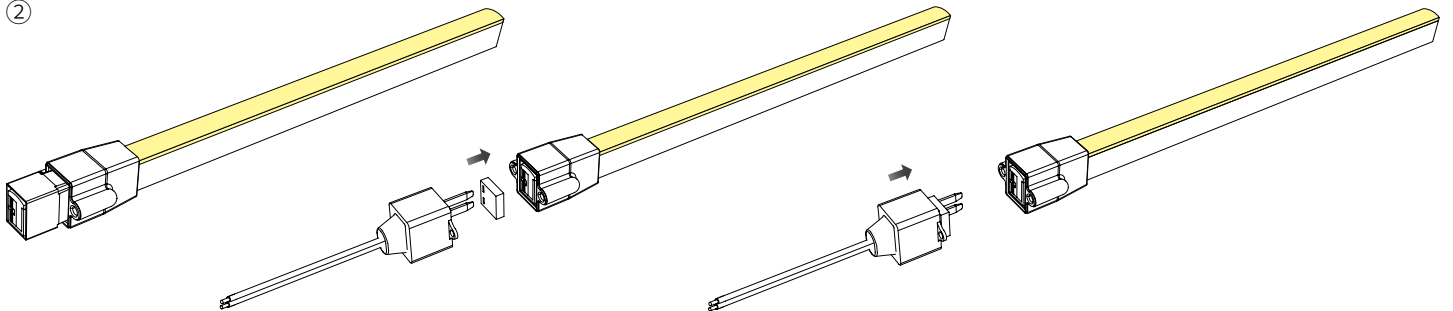


* Installation Method

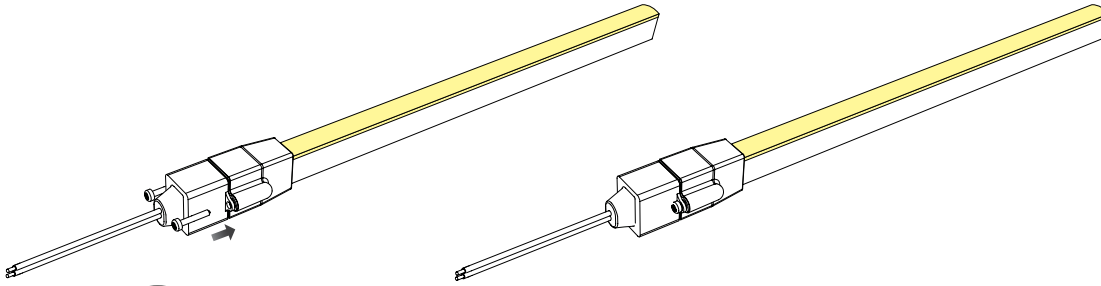
① FN1-FTKIT



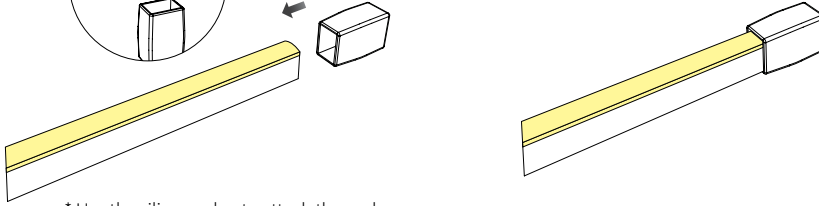
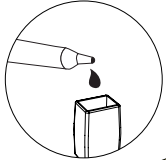
②



③

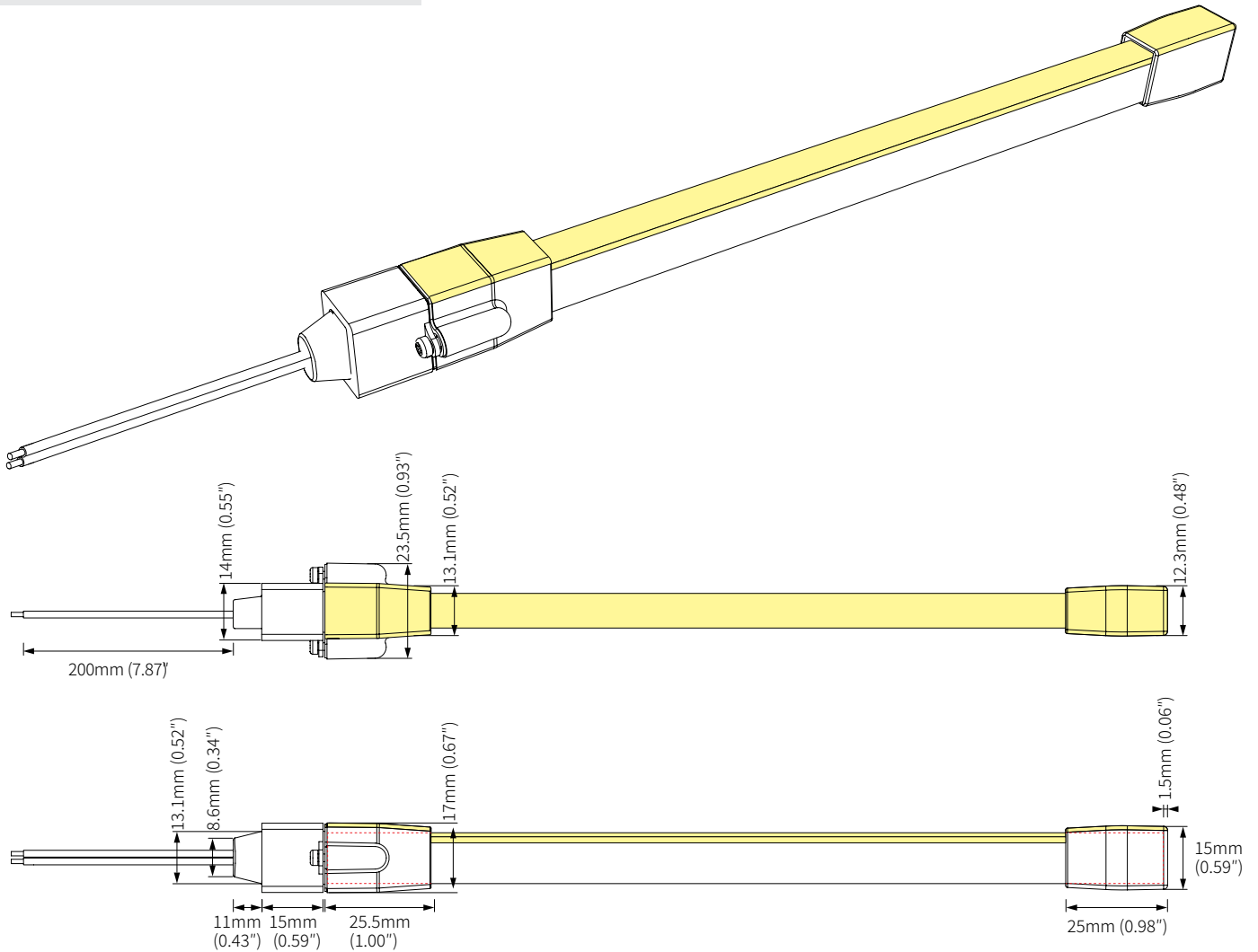


④

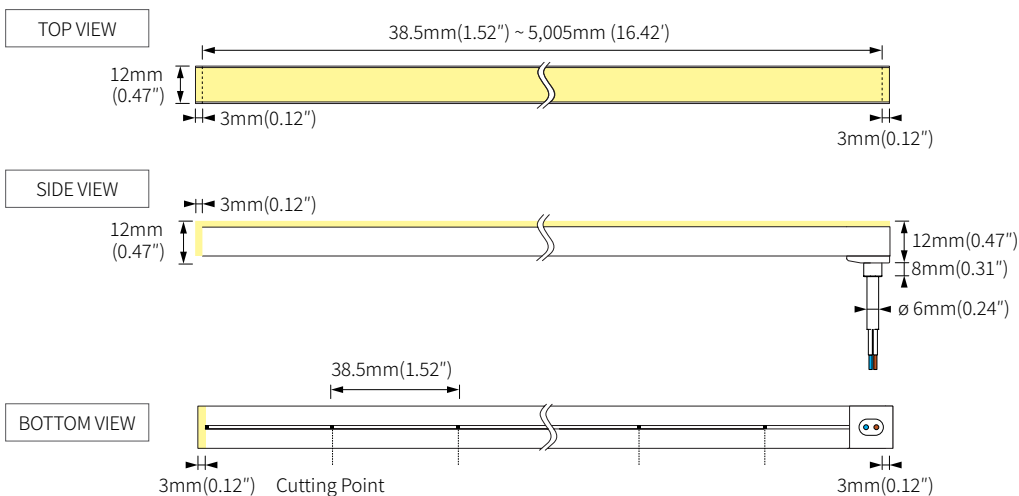
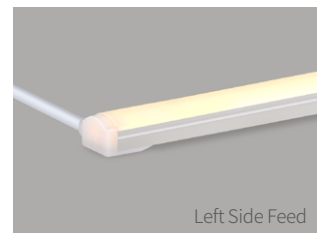
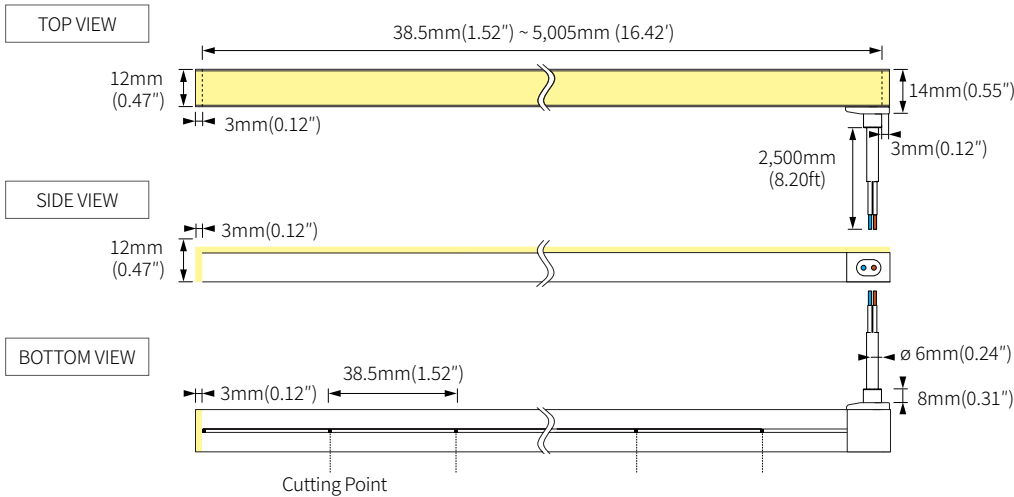
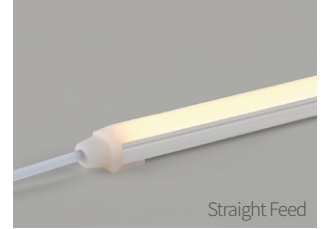
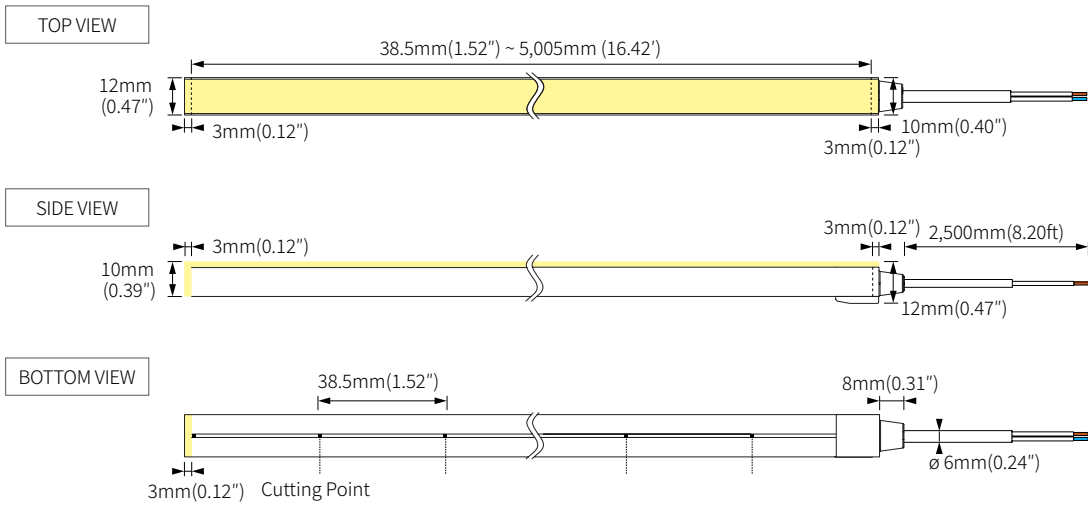


* Use the silicone glue to attach the endcap

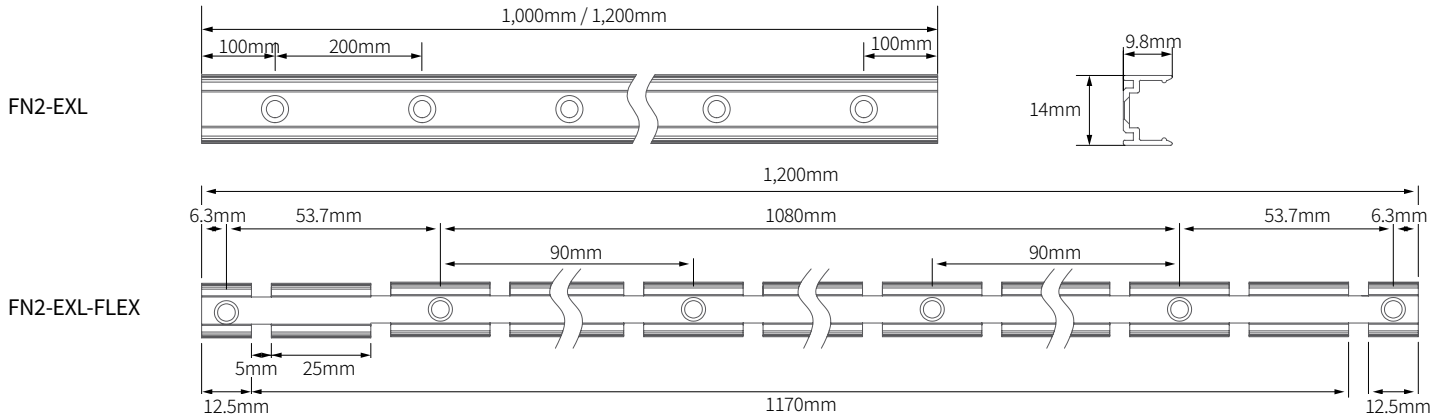
* Finished view



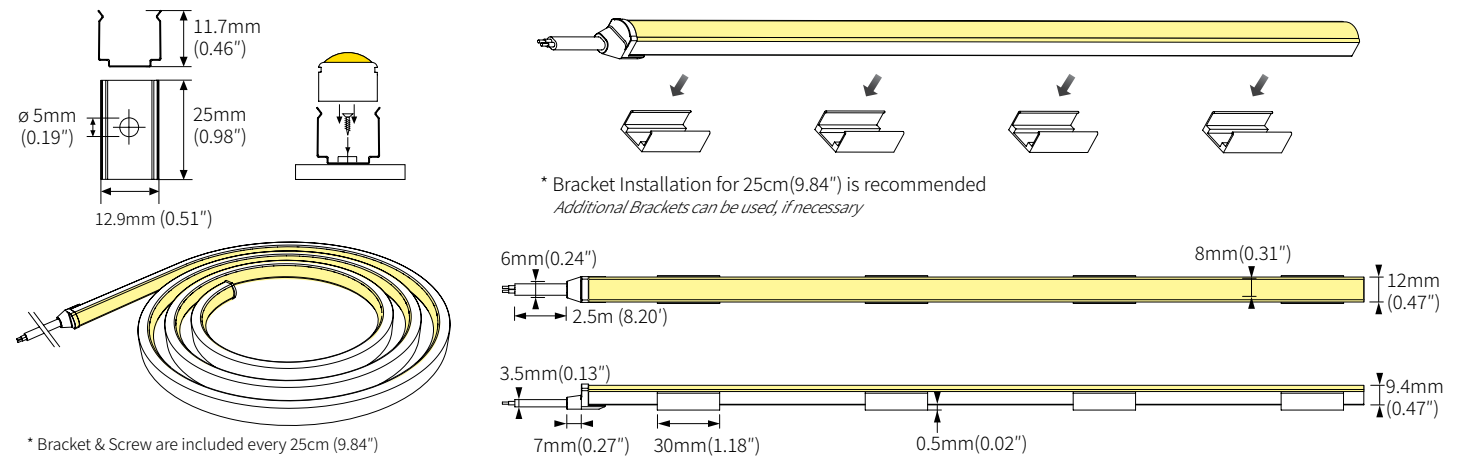
DIMENSIONS_FLXible Neon2



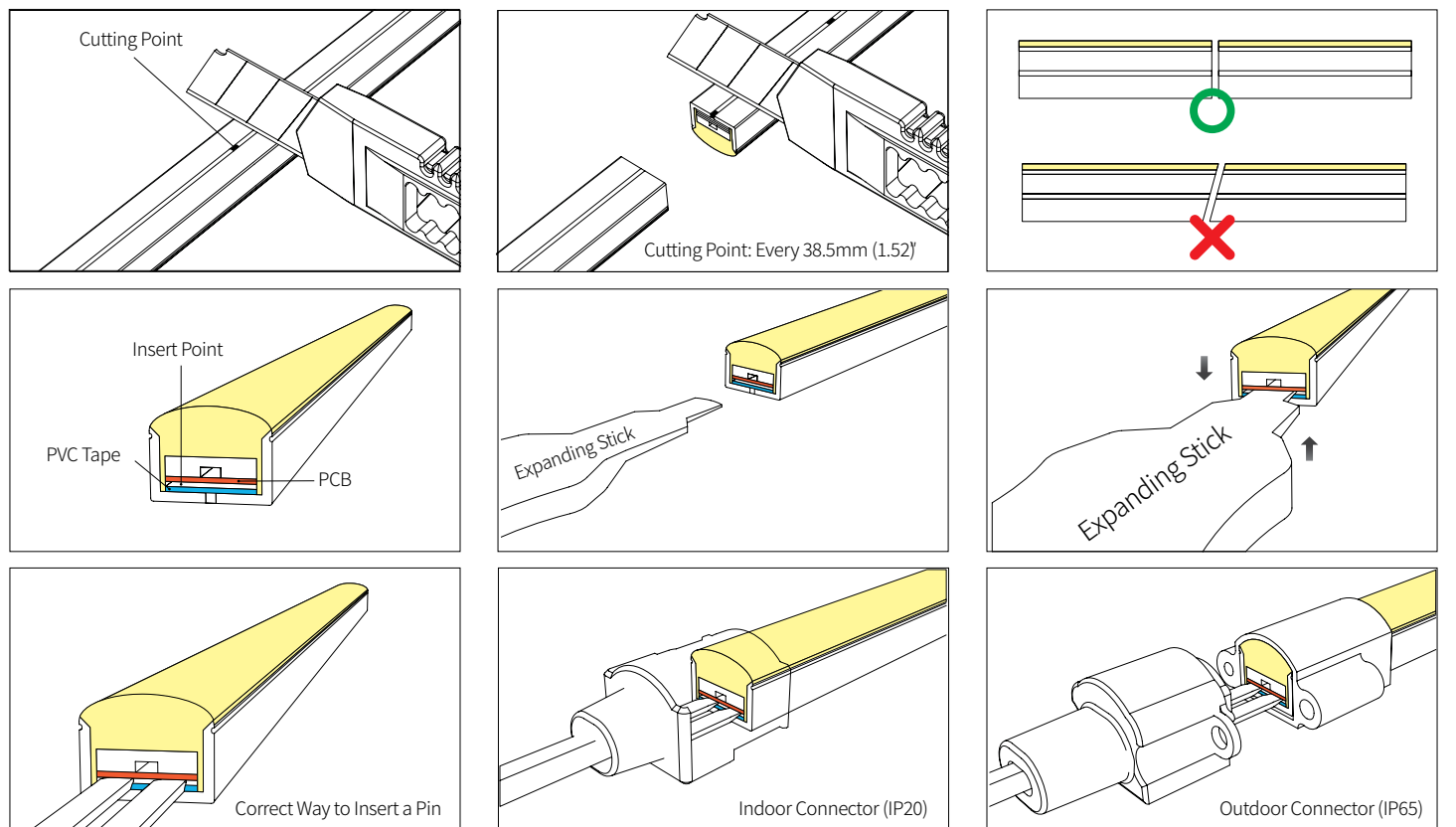
FLXible Neon can be cut every 38.5mm (1.52").
Please follow the cutting point mark to cut precisely as needed.



INSTALLATION - Bracket

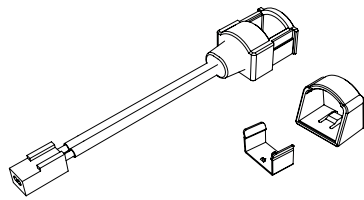


INSTALLATION - Termination Kit

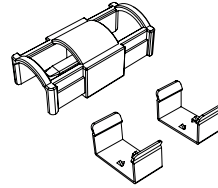


INSTALLATION - Indoor Termination (IP20)

* Components

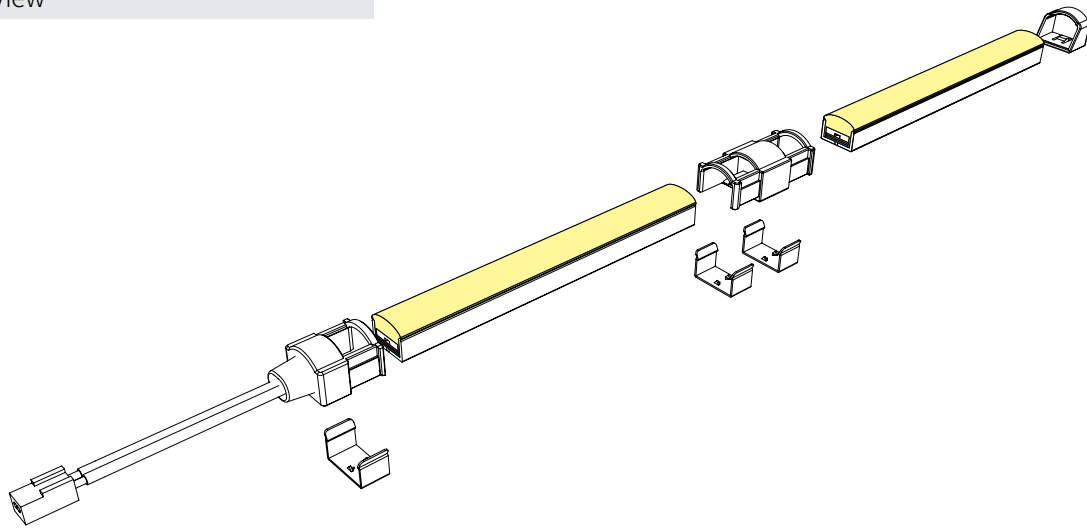


FN2-INPC
- Indoor Power Cable with END CAP



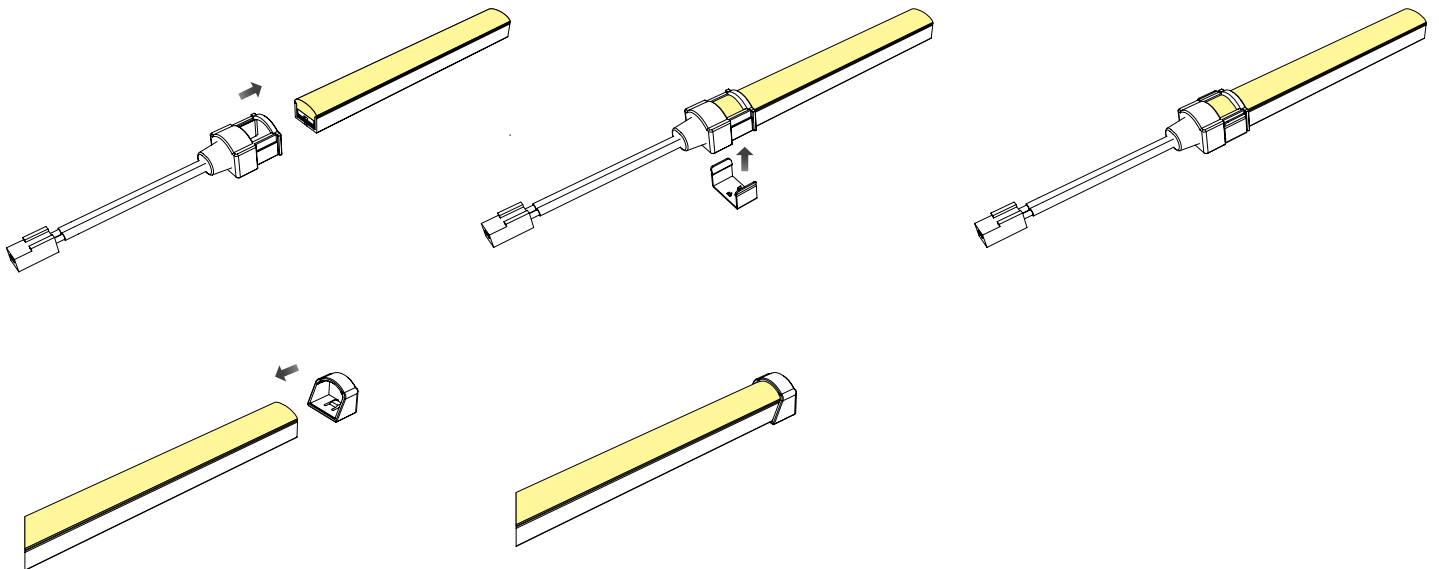
FN2-INCP
- Indoor Direct Connector

* Expanded View

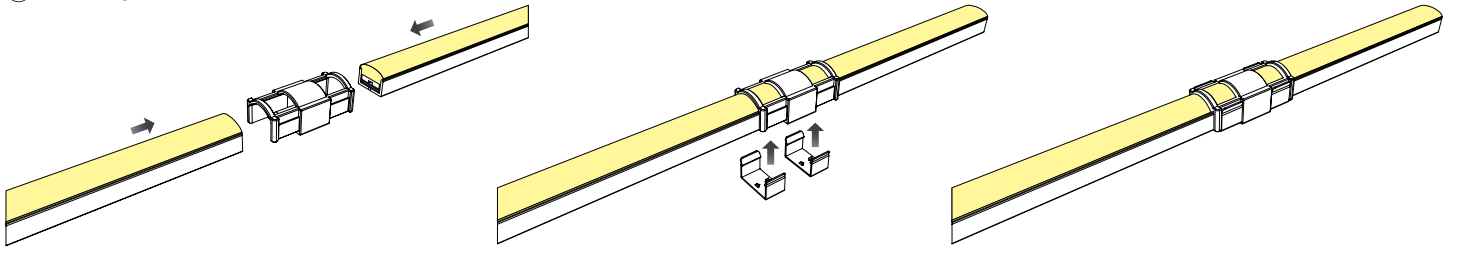


* Installation Method

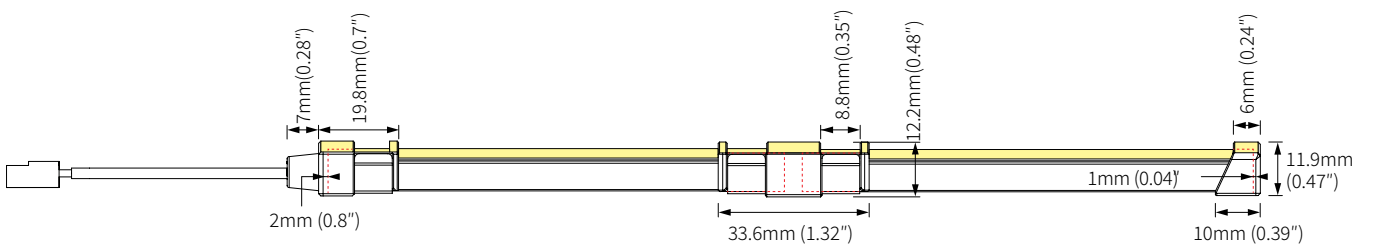
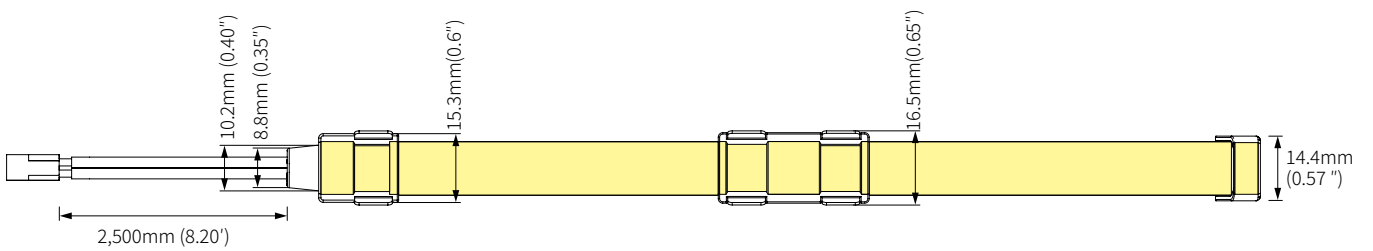
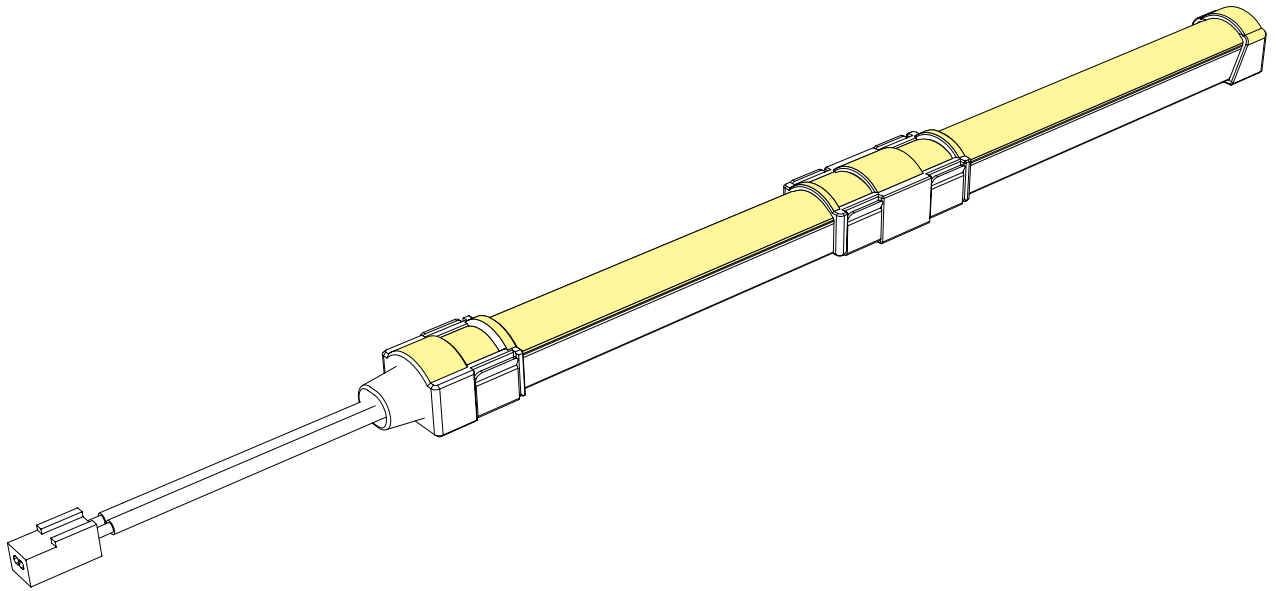
① FN2-INPC



② FN2-INCPL

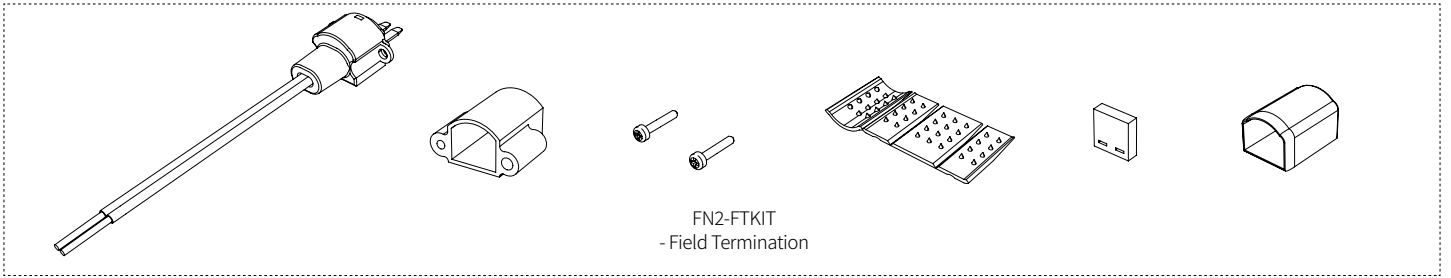


* Finished View

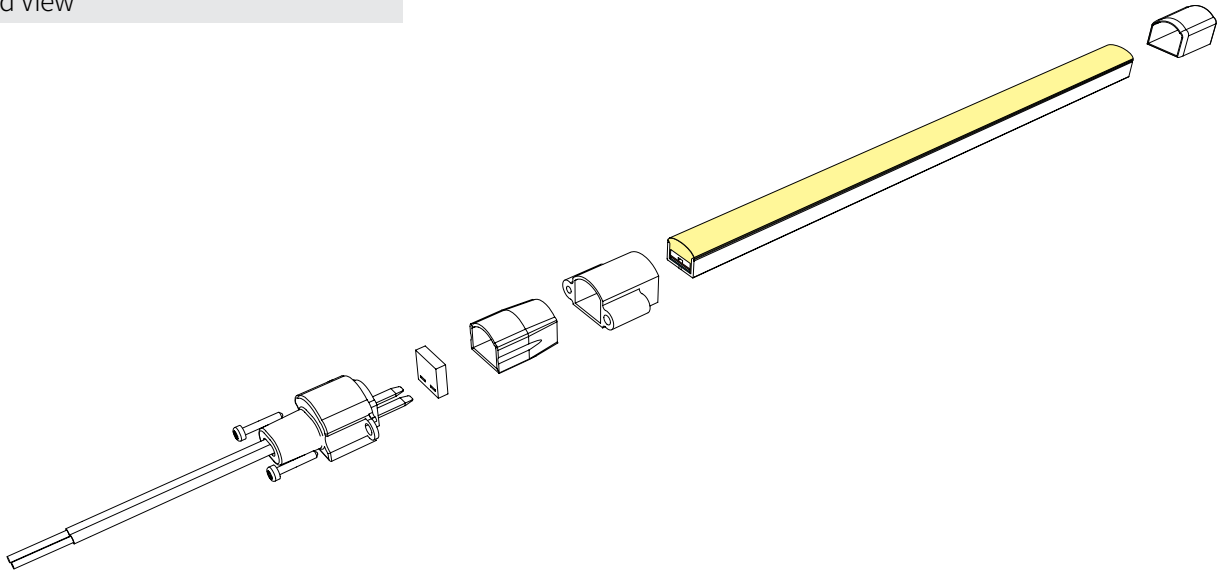


INSTALLATION - Field Termination (IP65)

* Components

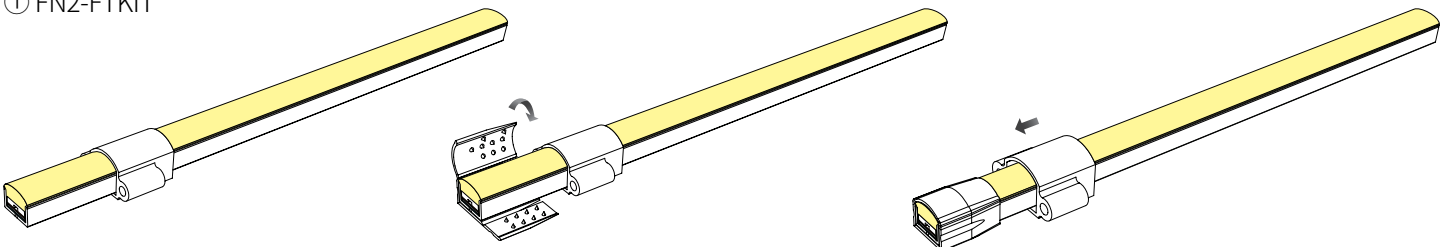


* Expanded View

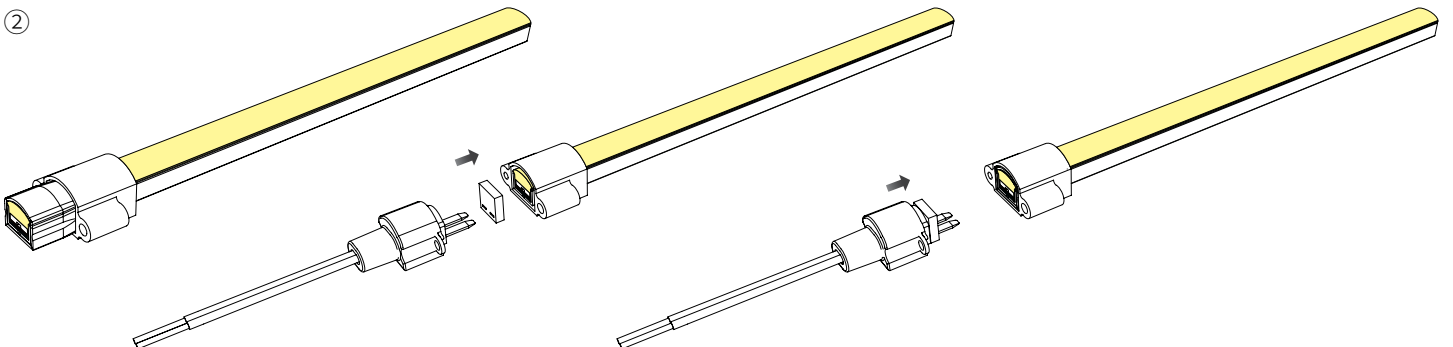


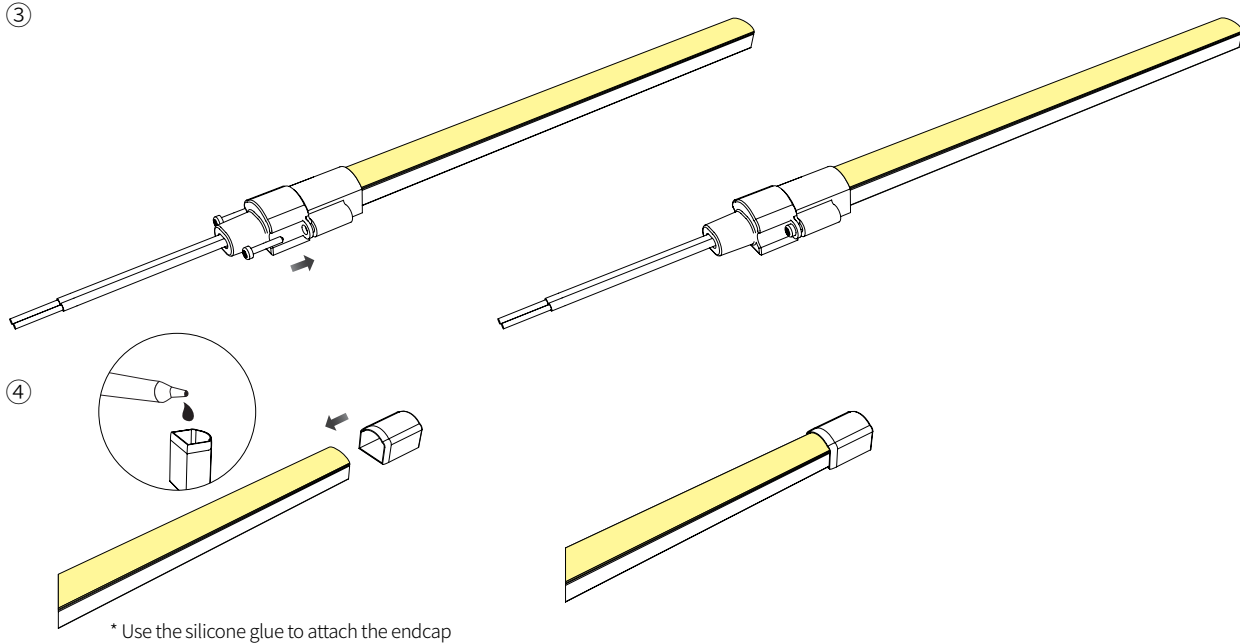
* Installation Method

① FN2-FTKIT



②





* Finished View

