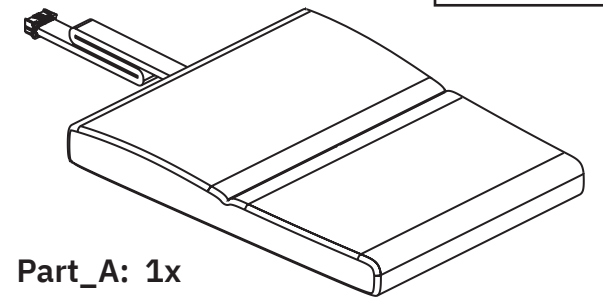
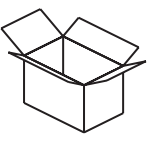
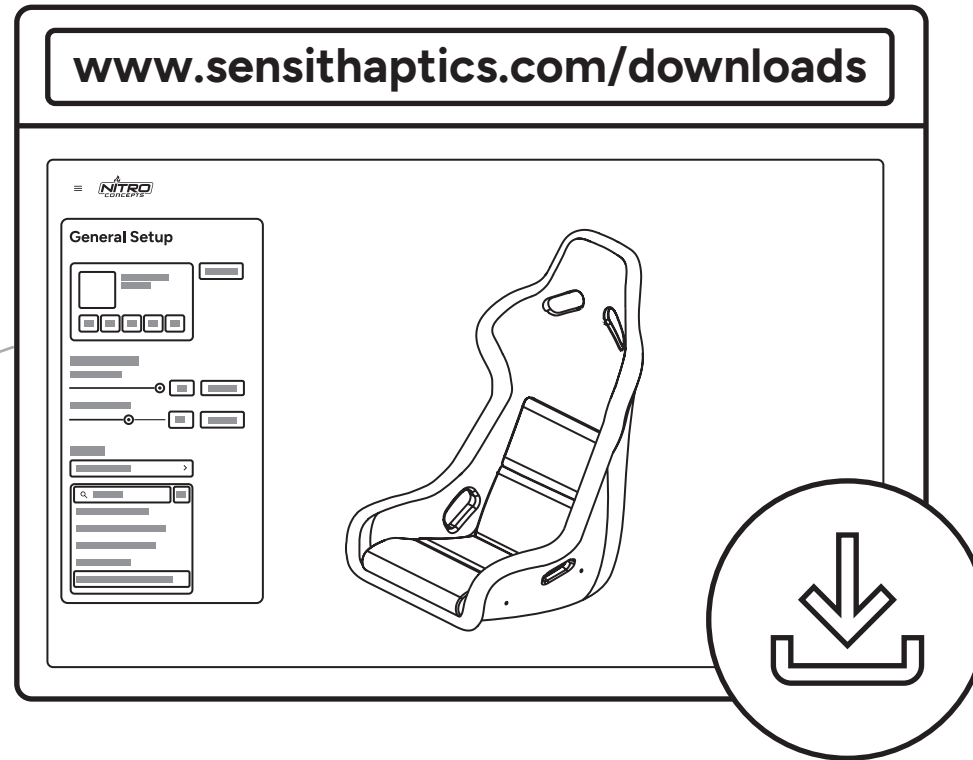
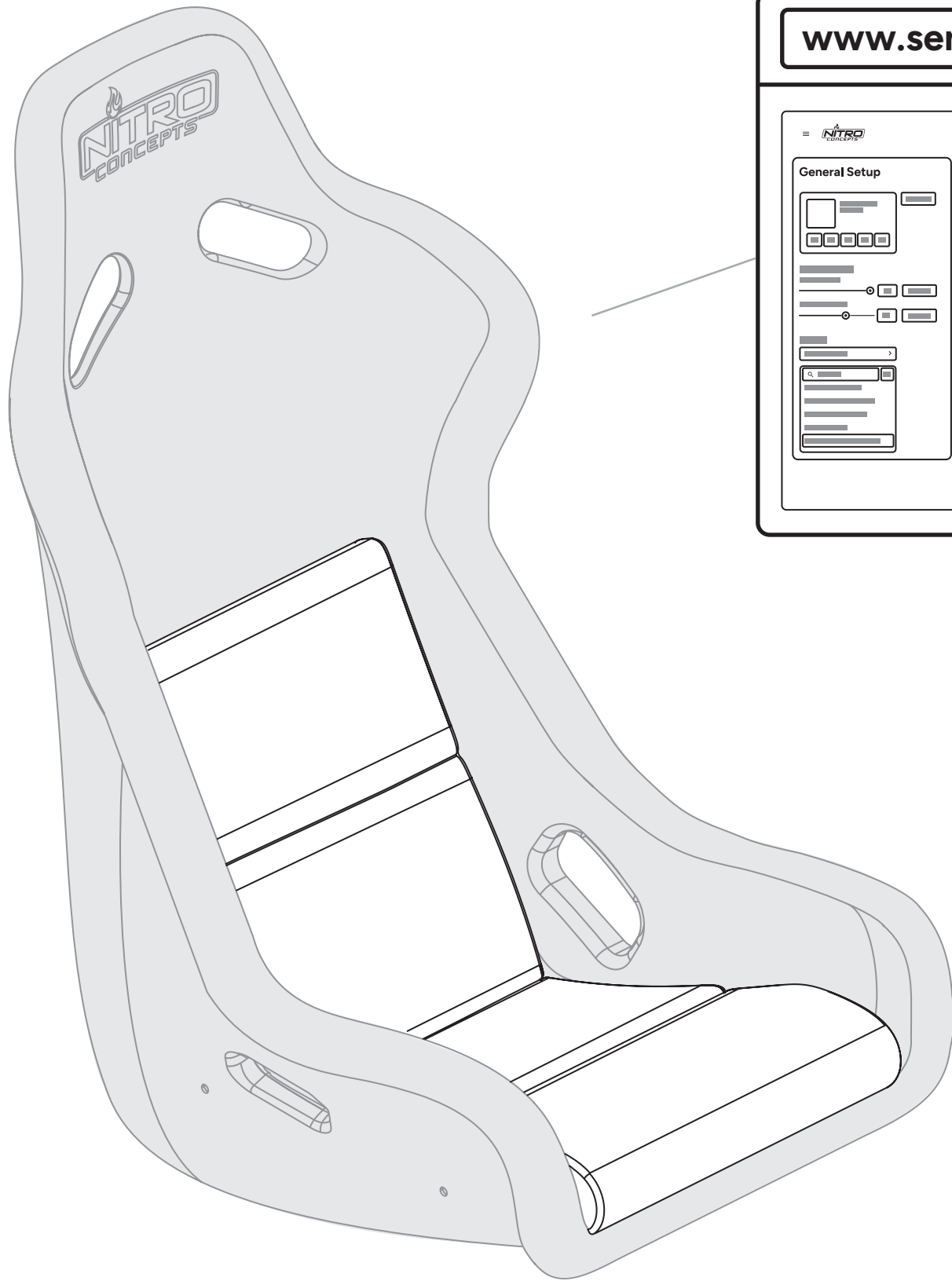
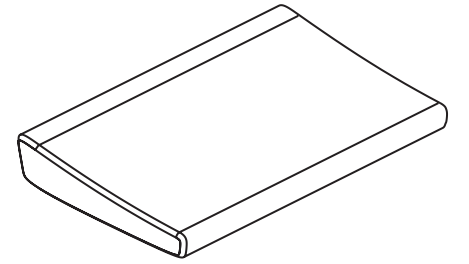


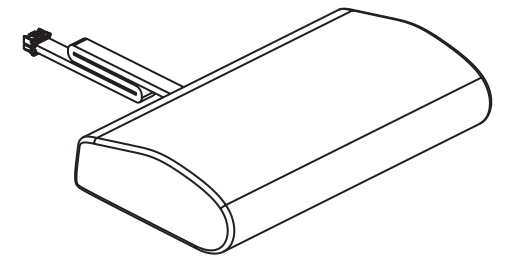
1



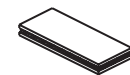
Part_A: 1x



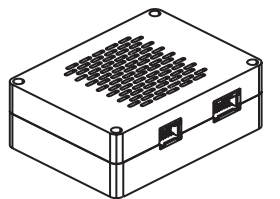
Part_B: 1x



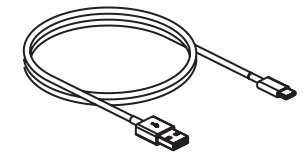
Part_C: 1x



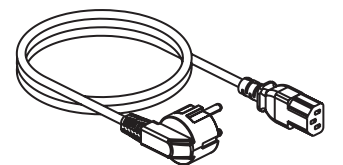
Part_E: 2x



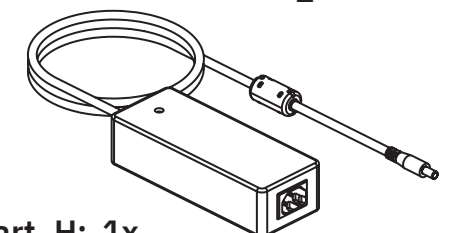
Part_D: 1x



Part_F: 1x

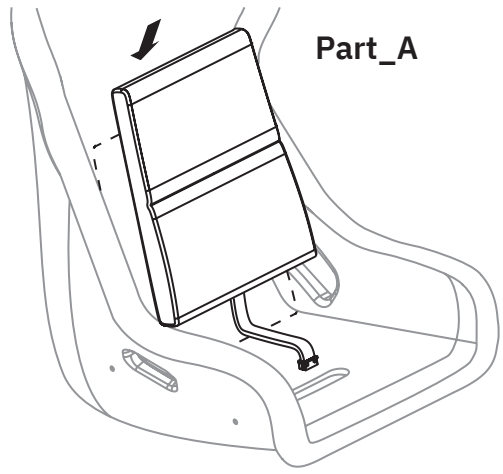


Part_G: 1x

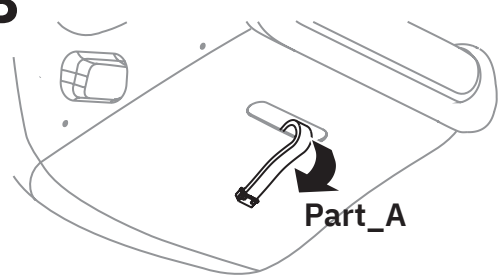


Part_H: 1x

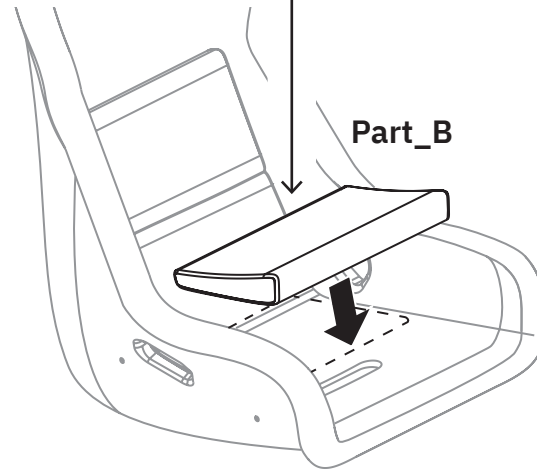
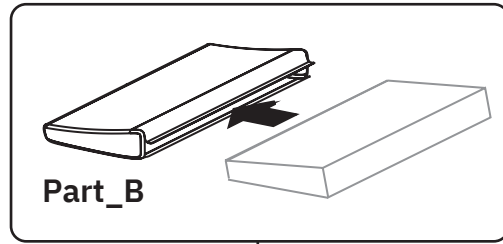
2A



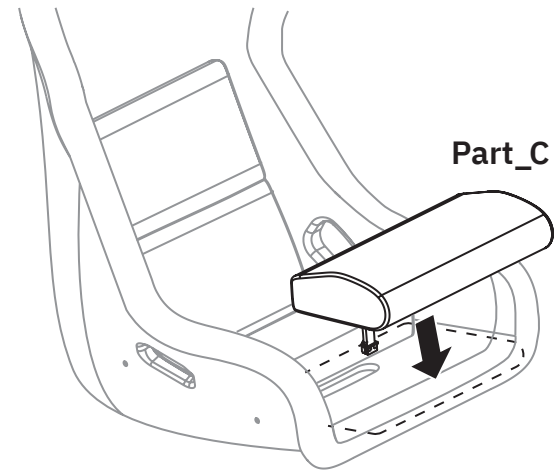
2B



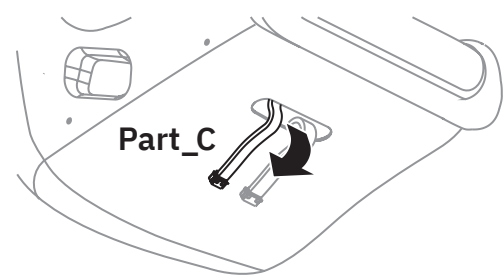
3



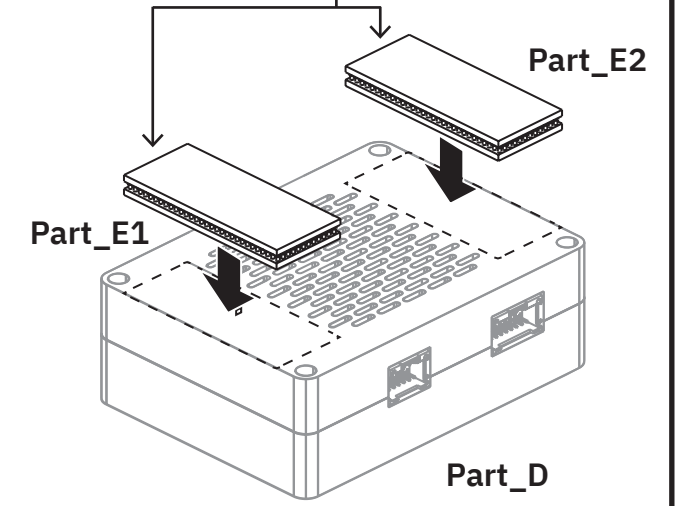
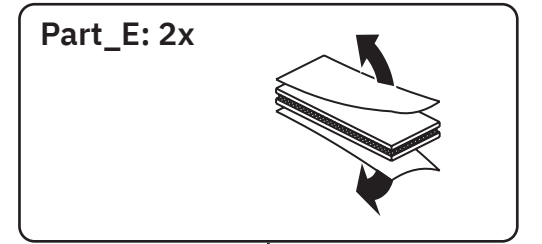
4A



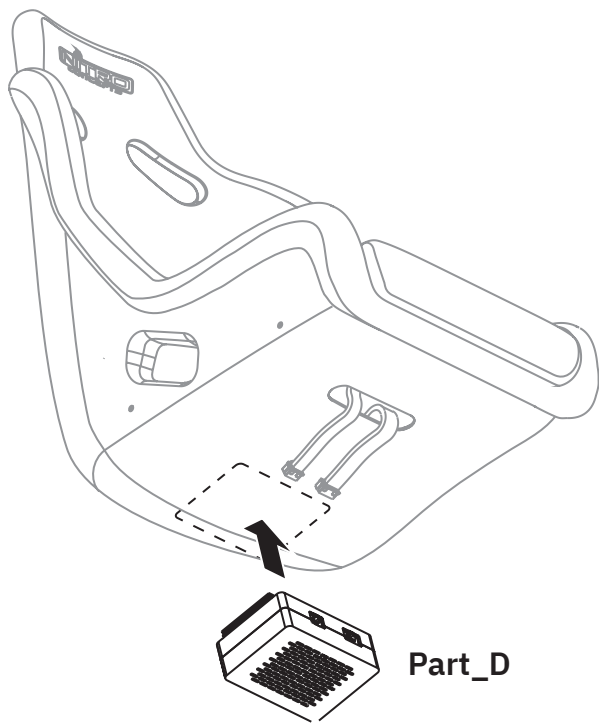
4B



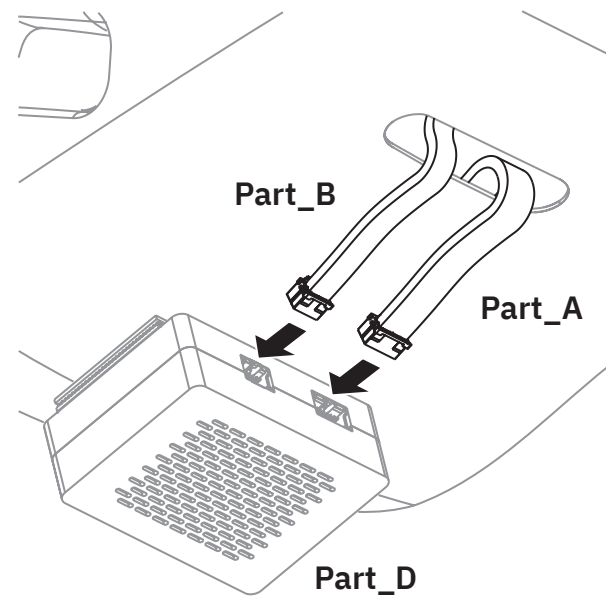
5



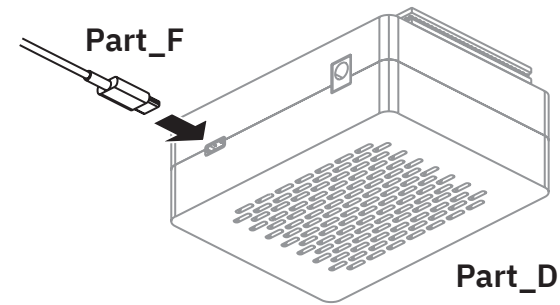
6



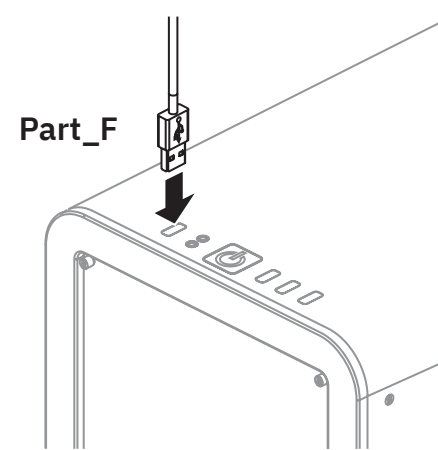
7



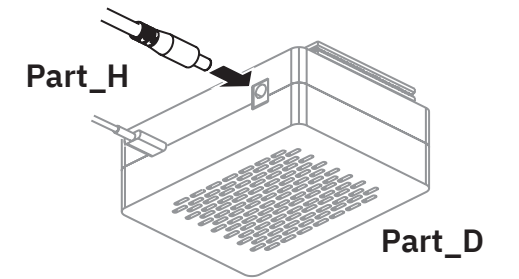
8A



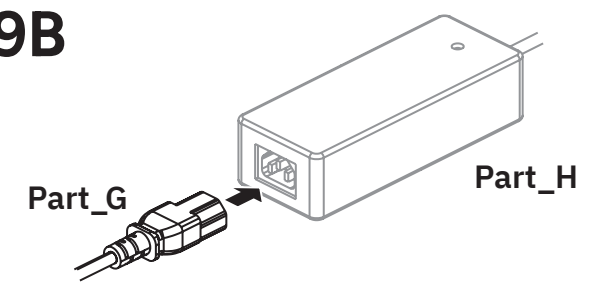
8B



9A



9B



9C

