

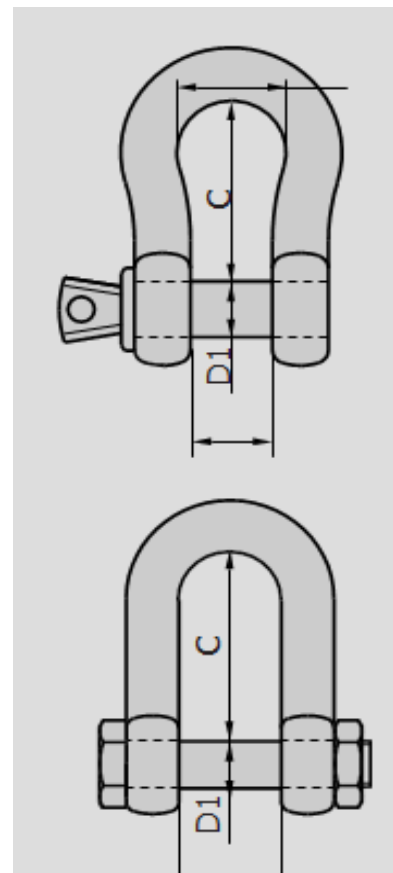
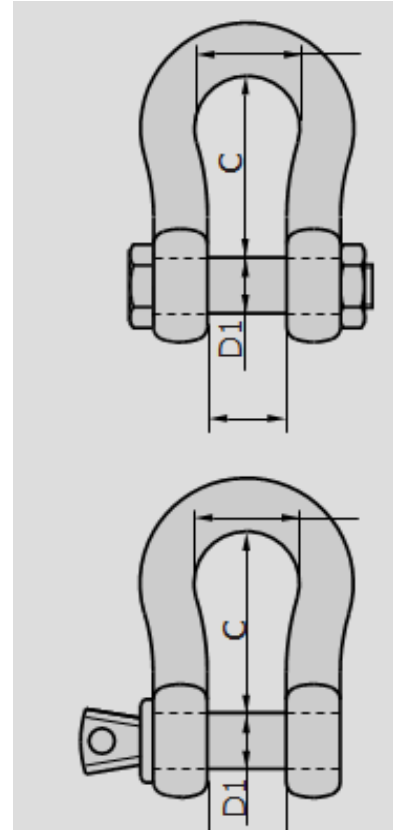
SHACKLES

Alloy Steel Shackles

US Fed Spec RR-C-271 / EN13889

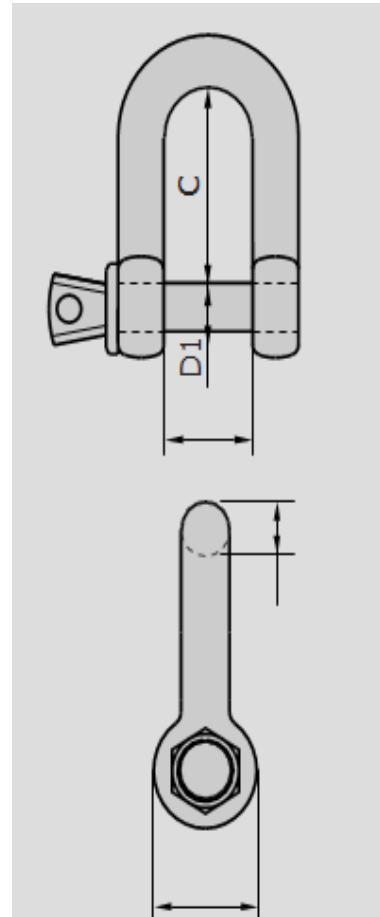
Bow and Dee with Screw pin or Safety pin

WLL	D	D1	A	C Dee	C Bow	E	D2	Weight Screw	Weight Safety
[t]	[mm]	[mm]	[mm]	[mm]	[mm]	[mm]	[mm]	[kgs]	[kgs]
0.33	5	6	10	19	22	16	13	0.02	-
0.50	6	8	12	25	29	20	16	0.05	0.06
0.75	8	10	13	27	32	21	20	0.10	0.11
1.00	9	11	16	31	36	26	22	0.14	0.15
1.50	11	13	18	37	43	29	26	0.19	0.21
2.00	13	16	22	43	47	33	34	0.36	0.40
3.25	16	19	27	51	60	42	40	0.63	0.70
4.75	19	22	31	59	71	51	47	1.10	1.10
6.50	22	25	36	73	84	58	53	1.50	1.70
8.50	25	28	43	85	95	68	60	2.20	2.50
9.50	28	32	47	90	108	74	67	3.10	3.40
12.00	32	35	51	94	119	83	74	4.30	4.50
13.50	35	38	57	115	132	89	80	5.50	6.10
17.00	38	42	60	127	146	98	89	7.40	7.60
25.00	45	50	74	149	178	126	104	13.00	13.00
35.00	50	57	83	171	197	138	119	18.00	18.00
55.00	65	70	105	203	260	180	145	38.00	40.00
85.00	75	83	127	229	330	190	163	58.00	62.00



Bow – H10 TYPE with Safety pin

WLL	D	D1	A	C	D2	E	Weight Safety
[t]	[mm]	[mm]	[mm]	[mm]	[mm]	[mm]	[kgs]
120	89	95	150	380	200	238	110
150	102	108	170	400	230	275	160
200	120	125	180	500	260	290	235
250	125	140	205	540	260	305	285
300	130	150	205	600	305	570	340
400	165	175	230	680	350	325	560
500	180	185	255	700	370	350	685
600	195	205	285	700	405	375	880
700	205	217	310	700	435	400	980
800	210	217	310	700	435	400	1100
900	220	230	330	700	465	420	1280
1000	230	240	350	750	480	420	1460
1250	278	270	370	780	590	450	2320
1500	280	290	370	800	610	450	2450

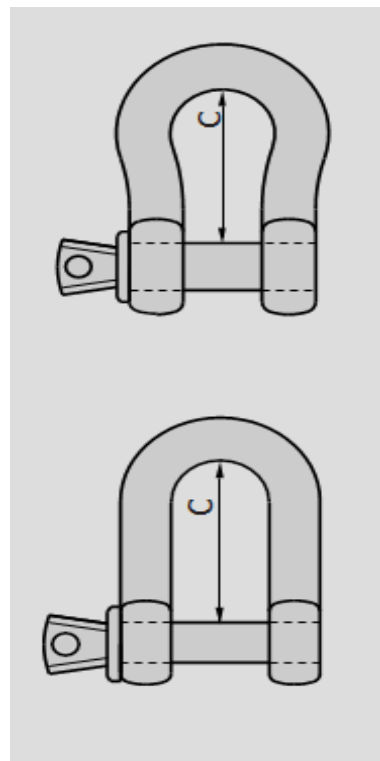


Commercial type – Stainless and Mild Steel

with Screw pin

not for lifting applications

Size	WLL	Dee type		Bow type	
		C	Weight	C	Weight
[mm]	[t]	[mm]	[kgs]	[mm]	[kgs]
4	0.06	16	0.010	16	0.009
5	0.08	19	0.018	19	0.015
6	0.10	25	0.023	25	0.030
10	0.32	38	0.126	38	0.120
12	0.52	51	0.235	51	0.250
16	0.80	64	0.494	64	0.520
20	1.1	76	0.790	76	0.930
22	1.5	89	1.280	89	1.620
25	2.1	100	1.980	100	2.250
28	3.0	115	2.970	115	2.850
32	3.5	128	3.720	127	3.720



Large dee type

with Screw pin

not for lifting applications

Size	WLL	C	Pin diameter	Weight
[mm]	[t]	[mm]	[mm]	[mm]
6	0.15	29	10	0.10
10	0.45	41	12	0.18
12	0.75	54	16	0.33
16	1.25	70	20	0.63
20	2.00	86	22	0.98
22	2.75	98	25	1.50
25	3.75	108	28	2.18
28	4.75	124	32	3.02
32	5.75	137	35	4.05
38	8.50	168	44	6.40
45	11.50	206	51	10.30
50	15.00	238	57	19.10

