

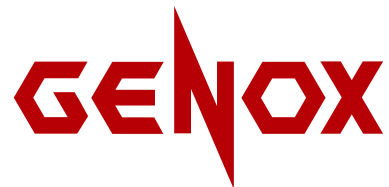
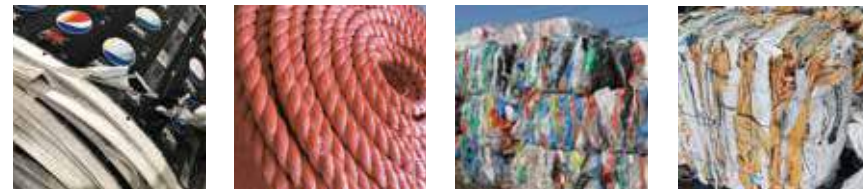


YS Series

Pre-Shredder



We reserve the right to make technical changes without prior announcement. All rights reserved.
©2019 GENOX RECYCLING TECH (CHINA) CO., LTD.



GENOX RECYCLING TECH (CHINA) CO., LTD.

#11 of No.3 Guangzhu road, Dongchong, Nansha, Guangzhou, China
Tel. +86 20 66851345 #810 Fax. +86 20 66851347
e-mail. info@genoxtech.com



www.genoxtech.com



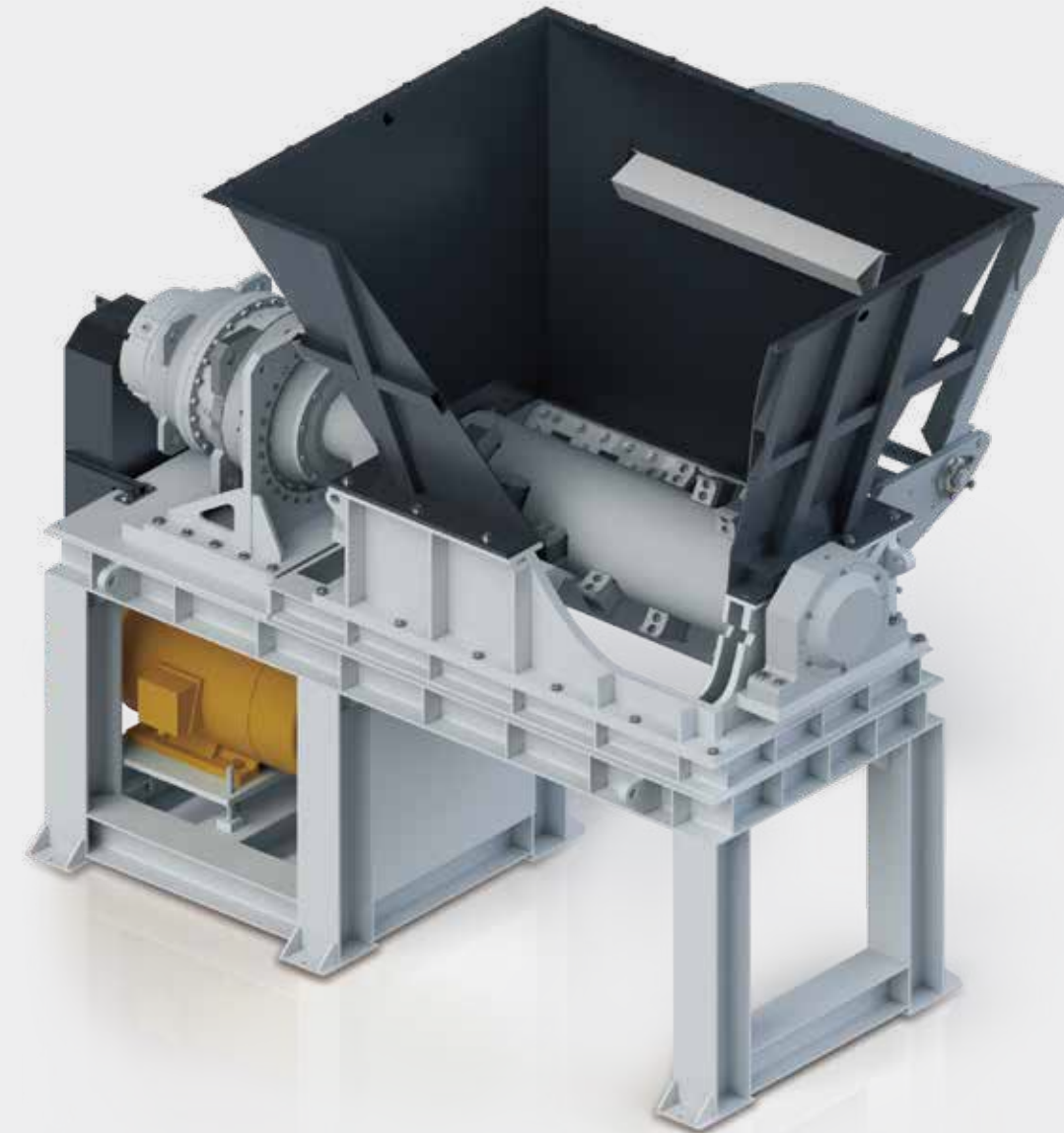
Pre-Shredder

YS Series

YS series pre-shredders are designed for processing high strength and tough materials with high levels of contamination. The machine pre-shreds compressed and baled material into fractions for further process.

Film type materials are opened up to enable effective cleaning and washing.

YS shredders are normally positioned at the front of a film washing system, though the machines can operate as stand-alone units for in-house recycling as well.



Heavy Duty Gearbox

- Equipped with planetary gearbox, low speed, high torque
- Providing high tearing and shredding force
- Simply maintained drive assembly, extremely robust in operation



Hydraulic Force Feeder

- Force feeding material to cutting chamber for material shredding
- Modular design hydraulic pack, providing unhindered access during maintenance and simplifying routine



Drive & Control

- Equipped with powerful electric drive motor
- Bi-directional motor running for automatic rotor forward and reserve rotation
- Optional for VFD control



Rotor & Blade Design

- Durable shredding blades manufactured from high quality steels, suitable for shredding tough materials.
- Wear resistant rotor with tungsten surface coating for abrasive applications

YS Series			
Model	YS1000	YS1300	YS1500
Dimension (L x W x H) (mm)	1200 x 1330 x 1850	1380 x 1170 x 2200	1950 x 3550 x 3820
Hopper Opening (L x H) (mm)	1600 x 1500	1900 x 1500	2100 x 1500
Rotation Diameter (mm)	Φ600	Φ600	Φ600
Operation Length (mm)	1000	1300	1500
Rotation Speed (RPM)	8-16	8-16	8-16
Number of Rotor Knives	20	24	28
Number of Counter Knives	12	14	16
Main Drive (kw)	55	75	90
Weight (kg)	Approx 3900	Approx 4700	Approx 5700