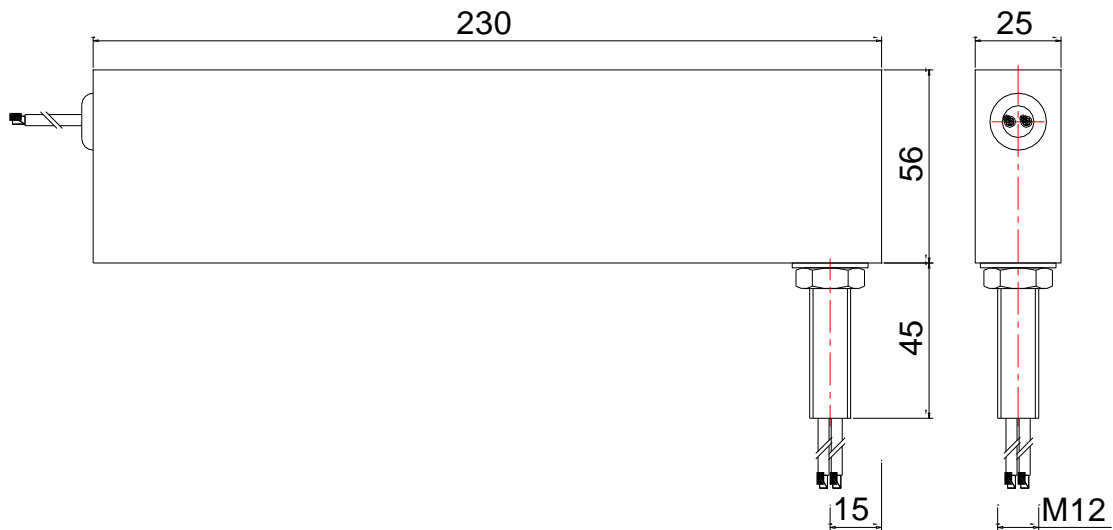




S03A2x1

Signal Line EMI Filter

1. Dimensions (mm)



2. Specifications

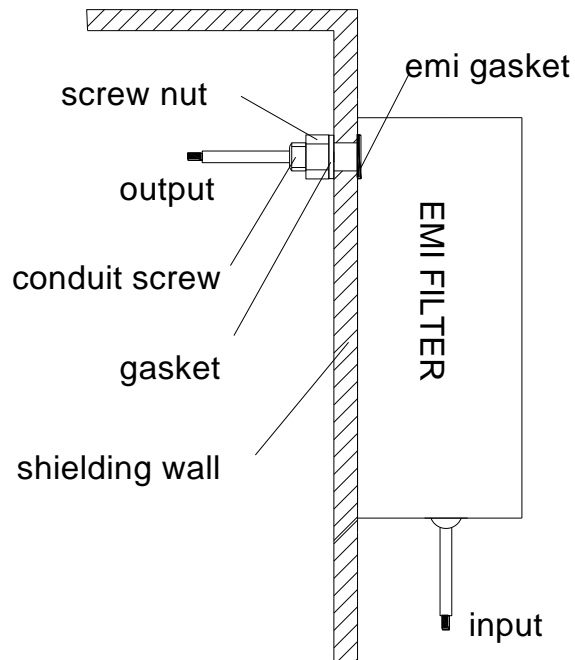
Rated Voltage	250VDC
Pass Band	0-6MHz
Rated Current	2x1A
Shielding Effectiveness	100dB, 14kHz-40GHz
Climatic Category	25/070/21
Hipot Test	1200VDC, 2 SEC

3. Typical Applications

Control signal, AC/DC switch signal.



4. Installation Diagram



5. Accessories List

- ① M12 Conduit Screw: 1pc
- ② Gasket 12: 1pc
- ③ M12 Screw Nut: 1pc
- ④ EMI Gasket 12: 1pc
- ⑤ Certificate: 1pc