

# CYCLONE FILTER

Filcon Filtration ApS  
Skovsøviadukten 14A  
DK-4200 Slagelse

www.filcon-filtration.com  
info@filcon-filtration.com  
+45 40 21 78 03



## A COST-EFFECTIVE SOLUTION

The Filcon Filtration cyclone filter features a sleek, cylindrical shape complemented by an effective pulse-jet cleaning mechanism. Its construction strategically positions the filter housing and inlet area to facilitate the efficient movement and separation of both coarse and fine particulates into the system.

## EFFICIENCY

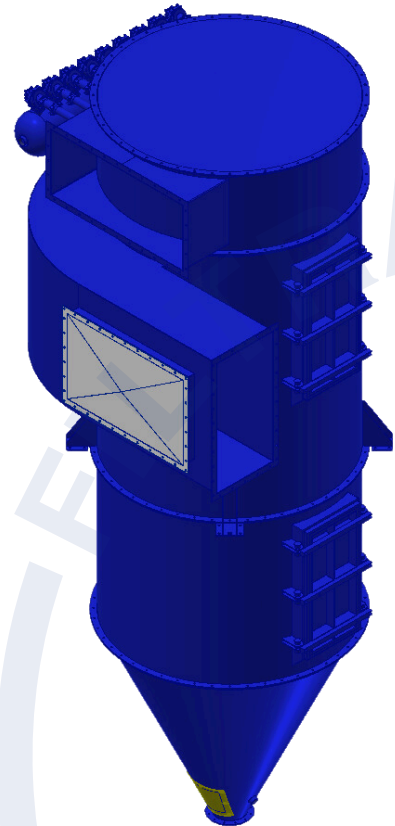
The pulse jet cleaning technology ensures the bags are cleaned systematically, row by row, without interrupting the filtration process. This means the filter remains operational and efficient even during the cleaning phases, offering continuous dust capture.

## SAVINGS

Designed for low maintenance, the Filcon Filtration cyclone filter minimizes operational downtime, promoting uninterrupted plant activities. Its advanced filter control system is engineered to sustain a low pressure drop, translating into significant savings on compressed air and energy costs.

## FLEXIBILITY

Capable of handling a diverse range of dust types, whether fine, abrasive, or explosive, the filter provides unparalleled versatility in dust separation. Additionally, its design simplifies the process of bag servicing, making it easier to maintain and extend the lifespan of the bags.



BENEFITS

## SPECIAL FEATURES

- Capacity: 500 – 500.000+ m<sup>3</sup>/h
- Filter area: 3.1 – 2.500+ m<sup>2</sup>
- Standard vacuum: 5%
- Pressure shock tolerance: Up to 2.5 bar
- Compatible with dry and sticky materials
- Bag removal: Accessible from both air sides
- ATEX directive compliant
- Indoor installation with explosion vent (EN14491 or VDI 3673 standards)

## CONSTRUCTION FORMS

### Filter type:

- RA = Conical bottom
- RB = Scraper bottom
- RC = Open bottom
- RD = Total separator

### Top:

- TOP 1 (Standard)
- TOP 3 (Penthouse)

\*See illustration on next page.

## APPLICATIONS

- Grain and feed industry
- Chemical industry
- Cement industry
- Food industry
- Brewery
- Paper industry
- Plastics industry
- Metal industry
- Fish feed industry
- Pet-food industry
- Recycling industry
- Wood industry
- Mineral industry
- Fertiliser industry

# CYCLONE FILTER

Filcon Filtration ApS  
Skovsøviadukten 14A  
DK-4200 Slagelse

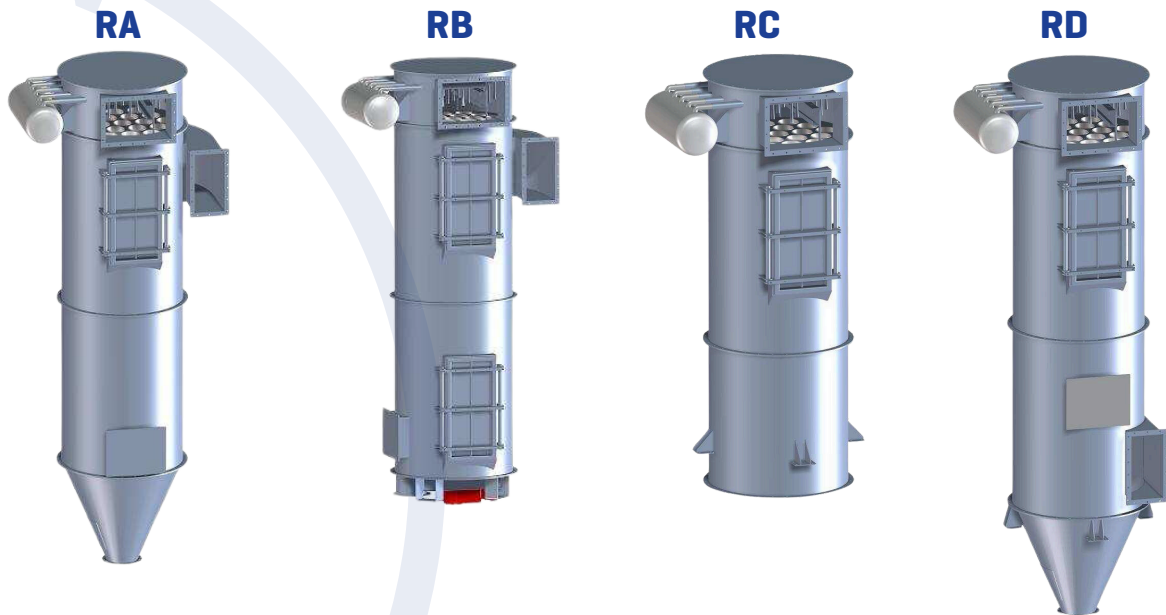
www.filcon-filtration.com  
info@filcon-filtration.com  
+45 40 21 78 03



## CONSTRUCTION FORM

### Filter type:

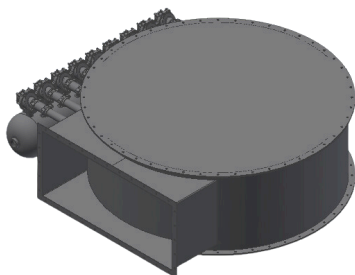
- RA = Conical bottom
- RB = Scraper bottom
- RC = Open bottom
- RD = Total separator



### Top:

- TOP 1 (Standard)
- TOP 3 (Penthouse)

**TOP 1**



**TOP 3**

