



Oymak[®]
otomotiv



DOUBLE CARDAN CATALOGUE



MERKEZLEMELİ ŞAFT KATALOĞU



CATÁLOGO DE DOUBLE CARDAN

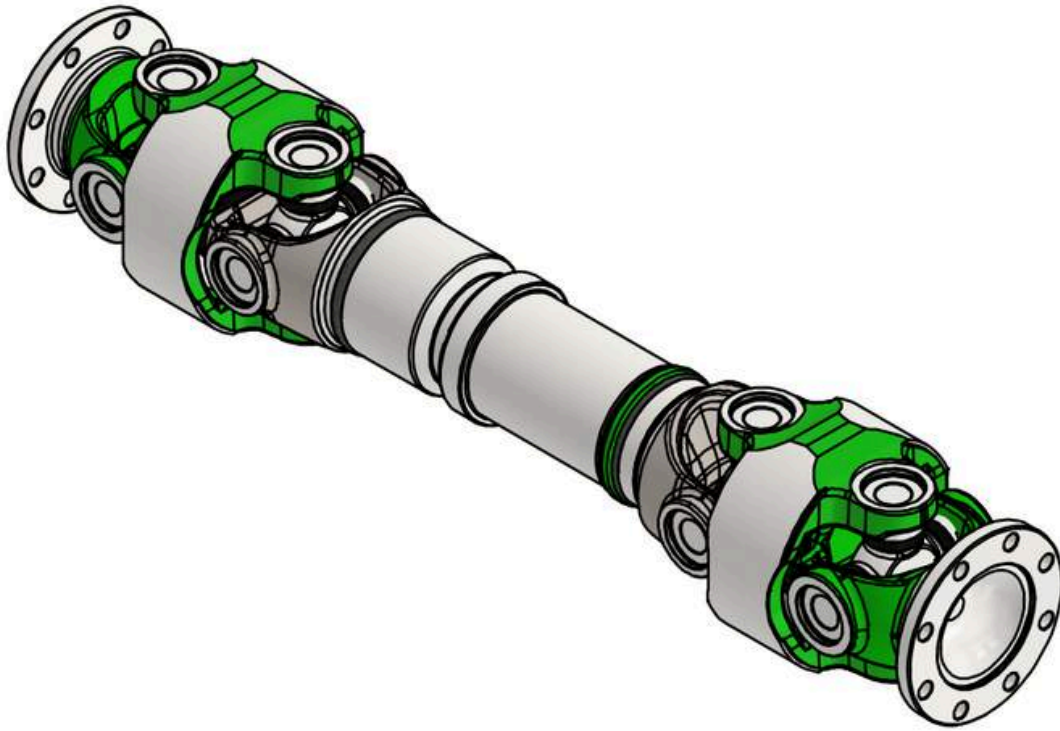
MART/ MARCH 2024

1/9

MERKEZLEMELİ KARDAN ŞAFTI / DOUBLE CARDAN SHAFT



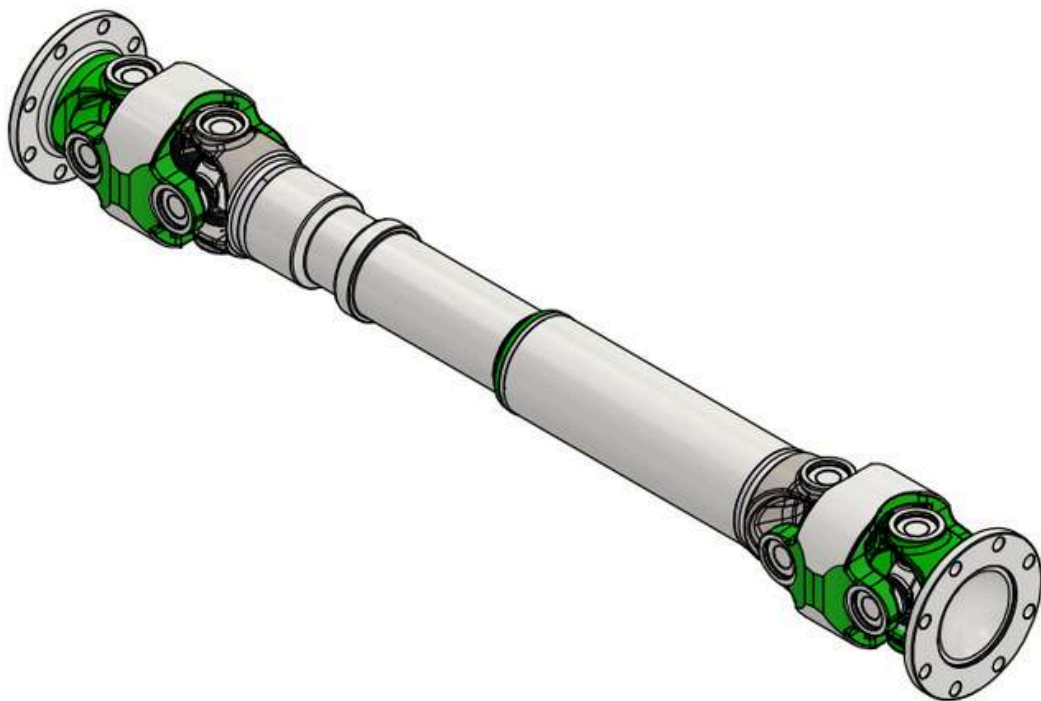
Ana Parca / Main Part			
Oymak No / Number	OEM No / Number	Urun Detayi/ Product Details	
11021831	-	KARDAN SAFTI/ Double Cardan Shaft - Ø34,9x106,3 - L:700 mm	
Alt Parçalar / Sub Assembly			
Oymak No / Number	OEM No / Number	Parca Adı / Part Type	Urun Detayi/ Product Details
1109120	-	Istavroz / Universal Joint	Ø34,9x106,3 INA CUP BAKIMSIZ(Unlubricated)
112064	-	Çiftli Mafsal / Double Joint	Ø34,9x106,3 / H:102 mm
1105369	-	Flaşlı Çatal / Flange Yoke	Ø34,9x106,3 - DİN120x8x10,1 (Merkezlemeli/Centered)
1106202	-	Tüp Çatal / Tube Yoke	Ø34,9x106,3 - Tube: Ø85x5 (Merkezlemeli/Centered)
1106236	-	Tüp Çatal / Tube Yoke	Ø34,9x106,3 - Boru/Tube: Ø85x5 (Merkezlemeli/Centered)
1104068	-	Kayıcı Mil / Sleeve Shaft	DIN5480 - 55x2,5x20- L:221,5 mm
1117280	-	Kayıcı Kovan / Sleeve Tube	Ø85x4,95 - DIN5480-55x2,5x20



MERKEZLEMELİ KARDAN ŞAFTI / DOUBLE CARDAN SHAFT



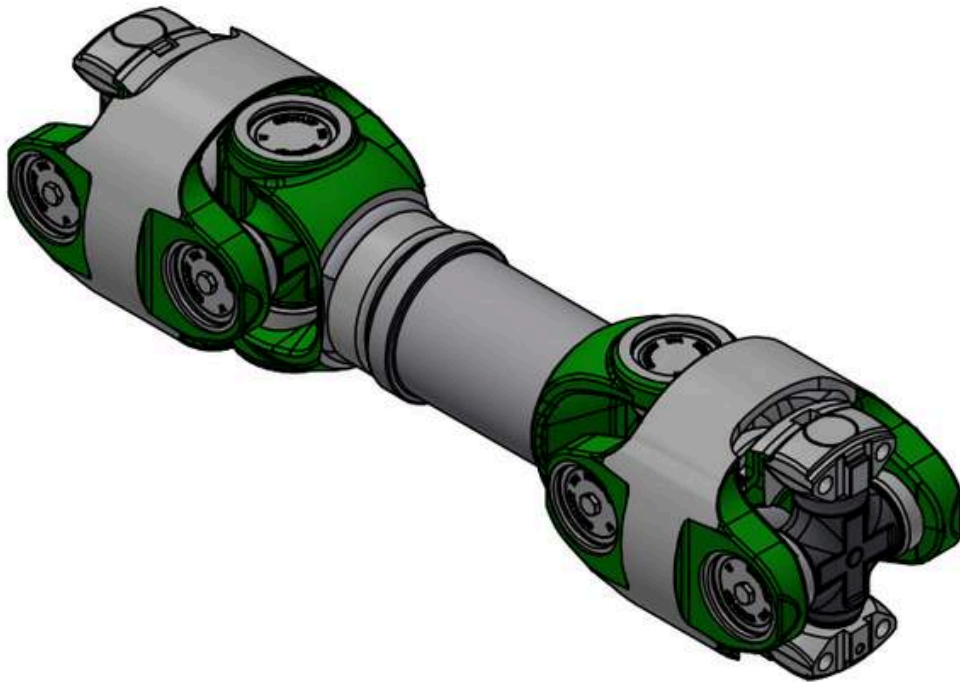
Ana Parca / Main Part			
Oymak No / Number	OEM No / Number	Urun Detayı/ Product Details	
11021658	-	Merkezlemeli Kardan Şaftı / Double Cardan Shaft - Ø34,9x106,3 / 130 Sliding - L:1044 mm	
Alt Parçalar / Sub Assembly			
Oymak No / Number	OEM No / Number	Parça Adı / Part Type	Urun Detayı/ Product Details
111470	-	Merkezlemeli Mafsal Takımı / Centered Double Joint Assy.	Ø34,9x106,3 / DIN150x8x12,1 - BORU: Ø85x5 / L:255 mm
111471	-	Istavroz / Universal Joint	Ø34,9x106,3 / DIN150x8x12,1 - BORU: Ø90x3 / L:255 mm
1121300	-	Kayıcı Takım / Slip Assy.	Ø34,9x106,3- W55x2,5x20 - Boru: Ø90x3 - L: 317,5 mm



MERKEZLEMELİ KARDAN ŞAFTI / DOUBLE CARDAN SHAFT



Ana Parca / Main Part			
Oymak No / Number	OEM No / Number	Urun Detayi/ Product Details	
11021770	-	KARDAN SAFTI/ Double Cardan Shaft - Ø48x126 and 6C Mekanik/Mechanic - L:551 mm	
Alt Parçalar / Sub Assembly			
Oymak No / Number	OEM No / Number	Parca Adi / Part Type	Urun Detayi/ Product Details
1109186	-	Istavroz / Universal Joint	Istavroz - Ø48x126 ve 6C Mekanik - (INA)-Grasörlüksüz (Unlubricated) (KEPTEN CIVATALI/ Bolt from Cap)
1109164	-	Istavroz / Universal Joint	Istavroz -Ø48x126(INA)-Grasörlüksüz (Unlubricated) (KEPTEN CIVATALI/ Bolt from Cap)
112072	-	Çiftli Mafsal / Double Joint	Ø48,0x126,0- H:115 mm
1106225	-	Tüp Çatal / Tube Yoke	(Merkezlemeli/Centered) - Ø48,0x126 - H:64,5 mm
1112244	-	Çatallı Mil / Yoke Shaft	Ø48x126(MERKEZLEMELI/Centered) - L: 227 mm
1117265	-	Kayıcı Kovan / Sleeve Tube	Spline: N62x1,75x34-DIN5480 - L:150 mm
111389	-	Uç Çatal / End Yoke	6C MEKANİK / 6C Mechanic



MERKEZLEMELİ AKS TAKIMI / CENTERED AXLE SHAFT



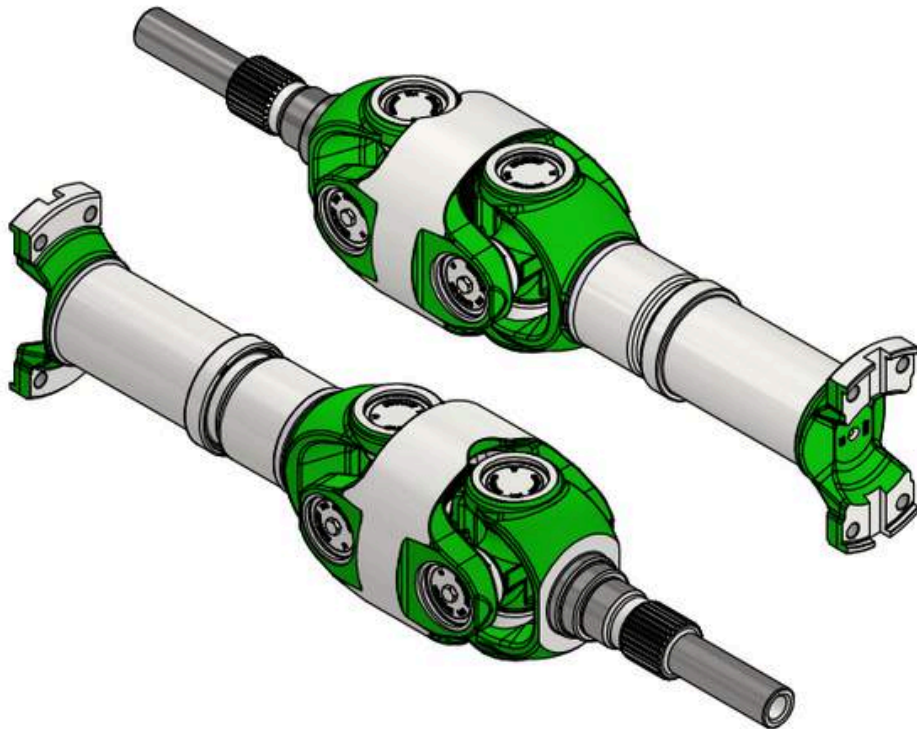
Ana Parca / Main Part			
Oymak No / Number	OEM No / Number	Urun Detayı/ Product Details	
1122036	RE574236	Aks Takimi Komple - Ø48,0x126,0 mm	
Alt Parçalar / Sub Assembly			
Oymak No / Number	OEM No / Number	Parça Adı / Part Type	Urun Detayı/ Product Details
1109164	-	Istavroz / Universal Joint	Istavroz - Ø48x126(INA)-Grasörlüksüz (Unlubricated) (KEPTEN CIVATALI/ Bolt from Cap)
112056	-	Çiftli Mafsal / Double Joint	Çiftli Mafsal - Ø48,0x126,0 - H:115 mm
1106161	-	Tüp Çatal / Tube Yoke	Ø48,0x126 - Tube: Ø80x4,0 (Merkezlemeli/Centered)
1112157	-	Çatallı Mil / Yoke Shaft	Ø48x126 - L: 325,5 mm - (Merkezlemeli/Centered)
1121319	-	Kayıcı Takım / Slip Assy.	Ø48,0x126 - 7C Mechanics - DIN5480 55x2,5x20 L=262,5 mm



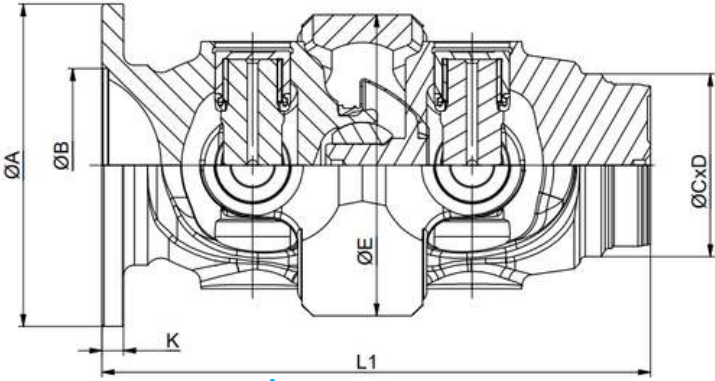
MERKEZLEMELİ AKS TAKIMI / CENTERED AXLE SHAFT



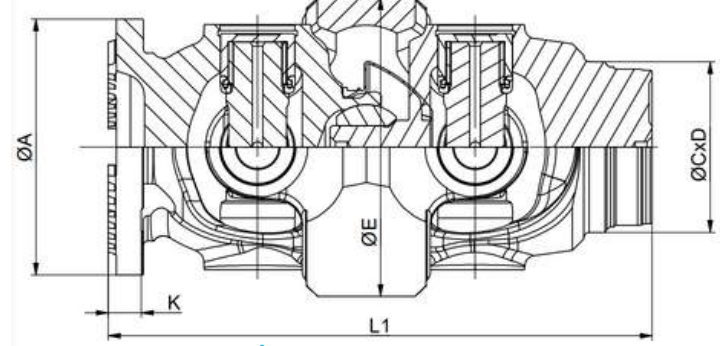
Ana Parca / Main Part			
Oymak No / Number	OEM No / Number	Urun Detayi/ Product Details	
1122112	RE574236	Aks Takimi Komple - Ø48,0x126,0 mm	
Alt Parçalar / Sub Assembly			
Oymak No / Number	OEM No / Number	Parca Adi / Part Type	Urun Detayi/ Product Details
1109164	-	Istavroz / Universal Joint	Istavroz - Ø48x126(INA)-Grasörlüksüz (Unlubricated) (KEPTEN CIVATALI/ Bolt from Cap)
112056	-	Çiftli Mafsal / Double Joint	Çiftli Mafsal - Ø48,0x126,0 - H:115 mm
1106161	-	Tüp Çatal / Tube Yoke	Ø48,0x126 - Tube: Ø80x4,0 (Merkezlemeli/Centered)
1112245	-	Çatallı Mil / Yoke Shaft	Ø48x126 - L: 325,5 mm - (Merkezlemeli/Centered)
1121319	-	Kayıcı Takım / Slip Assy.	Ø48,0x126 - 7C Mechanics - DIN5480 55x2,5x20 L=262,5 mm



MERKEZLEMELİ MAFSAL TAKIMI / CENTERED CARDAN DOUBLE JOINT ASSM.



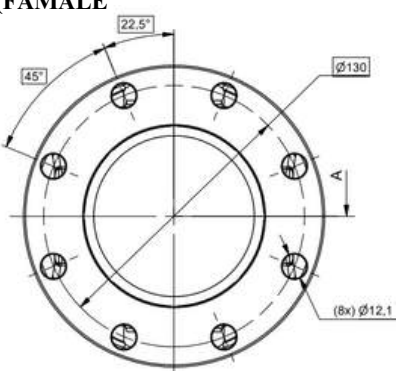
TİP A / TYPE A



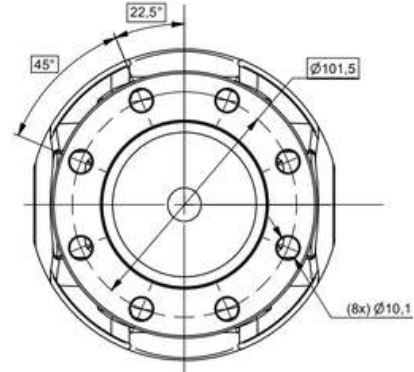
TİP B / TYPE B



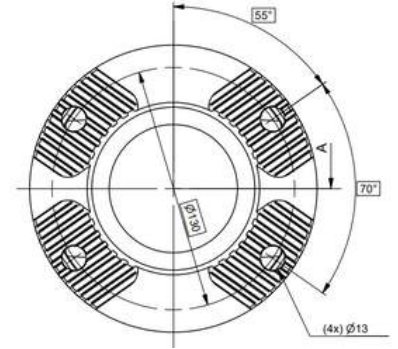
XS İÇİN (FOR XS)
ERKEK TİP(MALE
TYPE)= +
DIŞI TİP(FEMALE
TYPE)= -



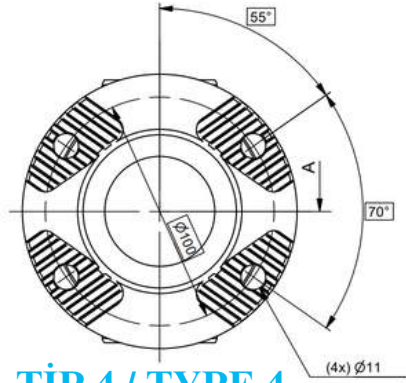
TİP 1 / TYPE 1



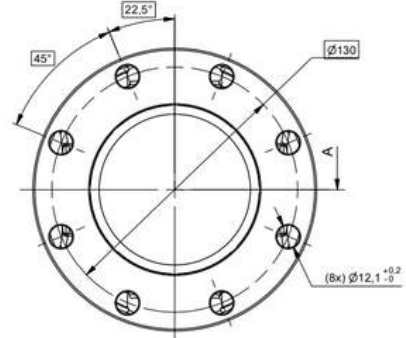
TİP 2 / TYPE 2



TİP 3 / TYPE 3



TİP 4 / TYPE 4



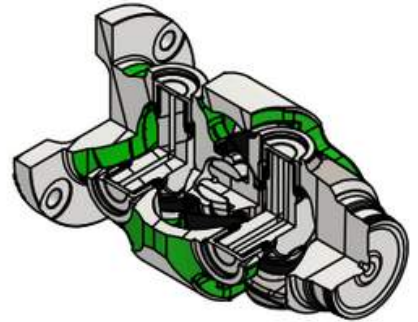
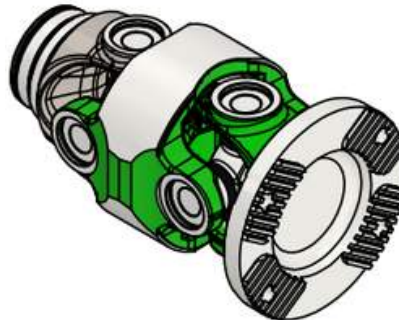
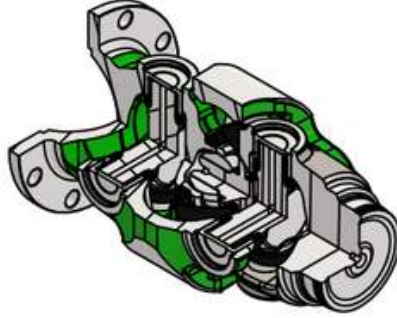
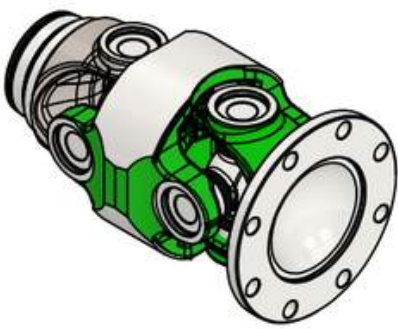
TİP 5 / TYPE 5



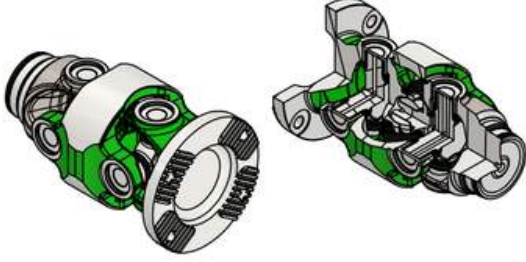
MERKEZLEMELİ MAFSAL TAKIMI / CENTERED CARDAN DOUBLE JOINT ASSM.



Ana Parca / Main Part									
Oymak No / Oymak No	Istavroz No. / UJ No.	Açıklama / Description	L1 (mm)	ØA(mm)	ØB(mm)	K(mm)	ØCx D	ØE	TİP/Type
111470	1109120	Ø34,9x106,3 INA CUP BAKIMSIZ(Unlubricated)	255,0	DIN Ø150	Ø90	10	Ø85x5,0	Ø140	A-1
111471	1109120	Ø34,9x106,3 INA CUP BAKIMSIZ(Unlubricated)	255,0	DIN Ø150	Ø90	10	Ø90x3,0	Ø140	A-1
111479	1109120	Ø34,9x106,3 INA CUP BAKIMSIZ(Unlubricated)	257,0	DIN Ø120	Ø75	10	Ø85x5,0	Ø140	A-2
111480	1109120	Ø34,9x106,3 INA CUP BAKIMSIZ(Unlubricated)	257,0	DIN Ø120	Ø75	10	Ø90x3,0	Ø140	A-2
111481	1109120	Ø34,9x106,3 INA CUP BAKIMSIZ(Unlubricated)	260,0	XS Ø154	+	17,5	Ø85x5,0	Ø140	B-3
111482	1109120	Ø34,9x106,3 INA CUP BAKIMSIZ(Unlubricated)	260,0	XS Ø154	+	17,5	Ø90x3,0	Ø140	B-3
111483	1109120	Ø34,9x106,3 INA CUP BAKIMSIZ(Unlubricated)	255,0	XS Ø120	+	15,5	Ø85x5,0	Ø140	B-4
111484	1109120	Ø34,9x106,3 INA CUP BAKIMSIZ(Unlubricated)	255,0	XS Ø120	+	15,5	Ø90x3,0	Ø140	B-4
111485	1109120	Ø34,9x106,3 INA CUP BAKIMSIZ(Unlubricated)	255,0	DIN Ø150	Ø90	10	Ø80x3,5	Ø140	A-5
111486	1109120	Ø34,9x106,3 INA CUP BAKIMSIZ(Unlubricated)	257,0	DIN Ø120	Ø75	10	Ø80x3,5	Ø140	A-2
111487	1109120	Ø34,9x106,3 INA CUP BAKIMSIZ(Unlubricated)	260,0	XS Ø154	+	17,5	Ø80x3,5	Ø140	B-3
111488	1109120	Ø34,9x106,3 INA CUP BAKIMSIZ(Unlubricated)	255,0	XS Ø120	+	15,5	Ø80x3,5	Ø140	B-4

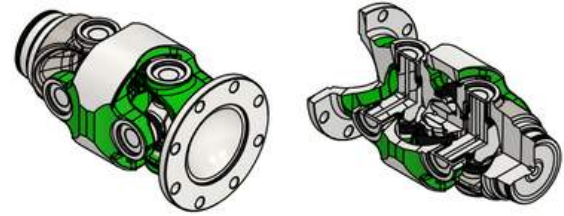


MERKEZLEMELİ MAFSAL TAKIMI / CENTERED CARDAN DOUBLE JOINT ASSM.



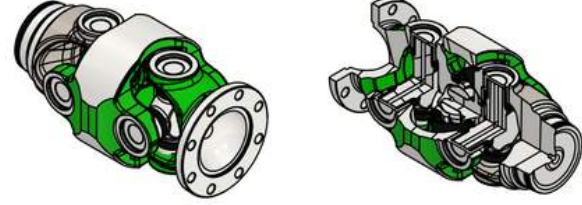
Ana Parca / Main Part			
Oymak No / Number	OEM No / Number	Urun Detayı/ Product Details	
111470	-	Merkezlemeli Sabit Mafsal Takımı (Centered Double Joint Assy.) Ø34,9x106,3 / DIN150x8x12,1 (Bakımsız INA CUP/Unlubricated)	
Alt Parçalar / Sub Assembly			
Oymak No / Number	OEM No / Number	Parça Adı / Part Type	Urun Detayı/ Product Details
1109120	-	Istavroz / Universal Joint	Ø34,9x106,3 INA CUP BAKIMSIZ(Unlubricated)
112064	-	Çiftli Mafsal / Double Joint	Ø34,9x106,3 / H:102 mm
1105341	-	Flanşlı Çatal / Flange Yoke	Ø34,9x106,3 - DIN150x8x12,1 (Merkezlemeli/Centered)
1106202	-	Tüp Çatal / Tube Yoke	Ø34,9x106,3 - Tube: Ø85x5 (Merkezlemeli/Centered)

Ana Parca / Main Part			
Oymak No / Number	OEM No / Number	Urun Detayı/ Product Details	
111471	-	Merkezlemeli Sabit Mafsal Takımı (Double Joint Assy.) Ø34,9x106,3 / DIN150x8x12,1 (Bakımsız INA CUP/Unlubricated)	
Alt Parçalar / Sub Assembly			
Oymak No / Number	OEM No / Number	Parça Adı / Part Type	Urun Detayı/ Product Details
1109120	-	Istavroz / Universal Joint	Ø34,9x106,3 INA CUP BAKIMSIZ(Unlubricated)
112064	-	Çiftli Mafsal / Double Joint	Ø34,9x106,3 / H:102 mm
1105341	-	Flanşlı Çatal / Flange Yoke	Ø34,9x106,3 - DIN150x8x12,1 (Merkezlemeli/Centered)
1106203	-	Tüp Çatal / Tube Yoke	Ø34,9x106,3 - Tube: Ø90x3 (Merkezlemeli/Centered)

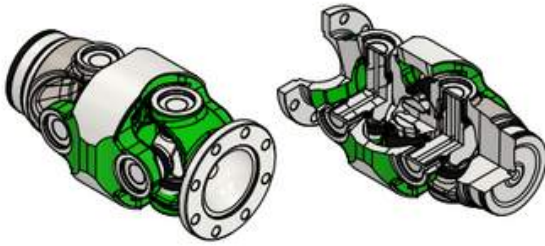




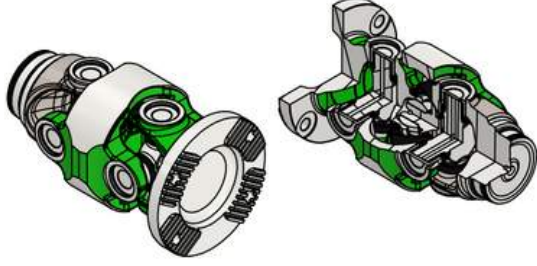
Ana Parca / Main Part		
Oymak No / Number	OEM No / Number	Urun Detayi/ Product Details
111479	-	Merkezemeli Sabit Mafsal Takımı (Ceentered Double Joint Assy.) Ø34,9x106,3 / DIN120x8x10,1 (Bakımsız INA CUP/Unlubricated)
Alt Parçalar / Sub Assembly		Urun Detayi/ Product Details
Oymak No / Number	OEM No / Number	Parca Adı / Part Type
1109120	-	Istavroz / Universal Joint
112064	-	Çiftli Mafsal / Double Joint
1105369	-	Flanşlı Çatal / Flange Yoke
1106202	-	Tüp Çatal / Tube Yoke



Ana Parca / Main Part		
Oymak No / Number	OEM No / Number	Urun Detayi/ Product Details
111480	-	Merkezemeli Sabit Mafsal Takımı (Centered Double Joint Assy.) Ø34,9x106,3 / DIN120x8x10,1 (Bakımsız INA CUP/Unlubricated)
Alt Parçalar / Sub Assembly		Urun Detayi/ Product Details
Oymak No / Number	OEM No / Number	Parca Adı / Part Type
1109120	-	Istavroz / Universal Joint
112064	-	Çiftli Mafsal / Double Joint
1105369	-	Flanşlı Çatal / Flange Yoke
1106203	-	Tüp Çatal / Tube Yoke

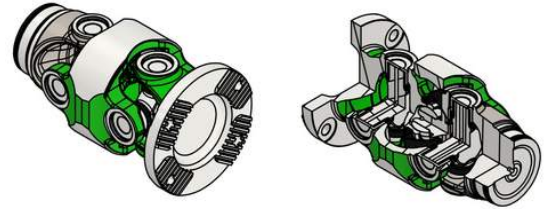


MERKEZLEMELİ MAFSAL TAKIMI / CENTERED CARDAN DOUBLE JOINT ASSM.



Ana Parca / Main Part			
Oymak No / Number	OEM No / Number	Urun Detayı/ Product Details	
111481	-	Merkezlemeli Sabit Mafsal Takımı (Cenetered Double Joint Assy.) Ø34,9x106,3 / XS150x4x13 (Bakımsız INA CUP/Unlubricated)	
Alt Parçalar / Sub Assembly			
Oymak No / Number	OEM No / Number	Parca Adı / Part Type	Urun Detayı/ Product Details
1109120	-	Istavroz / Universal Joint	Ø34,9x106,3 INA CUP BAKIMSIZ(Unlubricated)
112064	-	Çiftli Mafsal / Double Joint	Ø34,9x106,3 / H:102 mm
1105370	-	Flanşlı Çatal / Flange Yoke	Ø34,9x106,3 -XS154x4x13 (Merkezlemeli/Cenetered)
1106202	-	Tüp Çatal / Tube Yoke	Ø34,9x106,3 - Tube: Ø85x5 (Merkezlemeli/Centered)

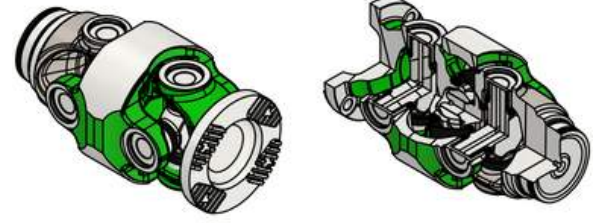
Ana Parca / Main Part			
Oymak No / Number	OEM No / Number	Urun Detayı/ Product Details	
111482	-	Merkezlemeli Sabit Mafsal Takımı (Cenetered Double Joint Assy.) Ø34,9x106,3 // XS150x4x13 (Bakımsız INA CUP/Unlubricated)	
Alt Parçalar / Sub Assembly			
Oymak No / Number	OEM No / Number	Parca Adı / Part Type	Urun Detayı/ Product Details
1109120	-	Istavroz / Universal Joint	Ø34,9x106,3 INA CUP BAKIMSIZ(Unlubricated)
112064	-	Çiftli Mafsal / Double Joint	Ø34,9x106,3 / H:102 mm
1105370	-	Flanşlı Çatal / Flange Yoke	Ø34,9x106,3 -XS154x4x13 (Merkezlemeli/Cenetered)
1106203	-	Tüp Çatal / Tube Yoke	Ø34,9x106,3 - Tube: Ø90x3 (Merkezlemeli/Centered)



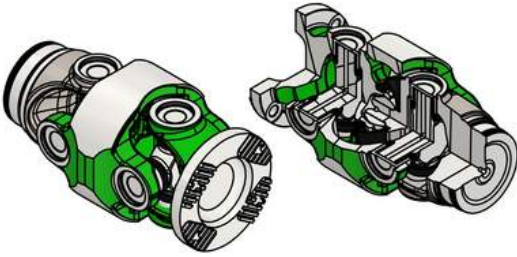
MERKEZLEMELİ MAFSAL TAKIMI / CENTERED CARDAN DOUBLE JOINT ASSM.



Ana Parca / Main Part			
Oymak No / Number	OEM No / Number	Urun Detayi/ Product Details	
111483	-	Merkezllemeli Sabit Mafsal Takımı (Centered Double Joint Assy.) Ø34,9x106,3 / XS120x4x11 (Bakımsız INA CUP/Unlubricated)	
Alt Parçalar / Sub Assembly			
Oymak No / Number	OEM No / Number	Parca Adı / Part Type	Urun Detayi/ Product Details
1109120	-	Istavroz / Universal Joint	Ø34,9x106,3 INA CUP BAKIMSIZ(Unlubricated)
112064	-	Çiftli Mafsal / Double Joint	Ø34,9x106,3 / H:102 mm
1105357	-	Flanşlı Çatal / Flange Yoke	Ø34,9x106,3 -XS120x4x11 (Merkezllemeli/Centered)
1106202	-	Tüp Çatal / Tube Yoke	Ø34,9x106,3 - Tube: Ø85x5 (Merkezllemeli/Centered)



Ana Parca / Main Part			
Oymak No / Number	OEM No / Number	Urun Detayi/ Product Details	
111484	-	Merkezllemeli Sabit Mafsal Takımı (Double Joint Assy.) Ø34,9x106,3 / DIN150x8x12,1 (Bakımsız INA CUP/Unlubricated)	
Alt Parçalar / Sub Assembly			
Oymak No / Number	OEM No / Number	Parca Adı / Part Type	Urun Detayi/ Product Details
1109120	-	Istavroz / Universal Joint	Ø34,9x106,3 INA CUP BAKIMSIZ(Unlubricated)
112064	-	Çiftli Mafsal / Double Joint	Ø34,9x106,3 / H:102 mm
1105357	-	Flanşlı Çatal / Flange Yoke	Ø34,9x106,3 - XS120x4x11
1106203	-	Tüp Çatal / Tube Yoke	Ø34,9x106,3 - Boru/Tube: Ø90x3

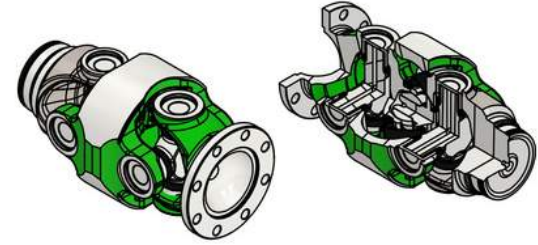


MERKEZLEMELİ MAFSAL TAKIMI / CENTERED CARDAN DOUBLE JOINT ASSM.



Ana Parca / Main Part			
Oymak No / Number	OEM No / Number	Urun Detayı/ Product Details	
111485	-	Merkezlemeli Sabit Mafsal Takımı (Double Joint Assy.) Ø34,9x106,3 / DIN150x8x12,1 (Bakımsız INA CUP/Unlubricated)	
Alt Parçalar / Sub Assembly			
Oymak No / Number	OEM No / Number	Parca Adı / Part Type	Urun Detayı/ Product Details
1109120	-	Istavroz / Universal Joint	Ø34,9x106,3 INA CUP BAKIMSIZ(Unlubricated)
112064	-	Çiftli Mafsal / Double Joint	Ø34,9x106,3 / H:102 mm
1105341	-	Flanşlı Çatal / Flange Yoke	Ø34,9x106,3/DIN150x8x12,1/H: 70 mm
1106221	-	Tüp Çatal / Tube Yoke	Ø34,9x106,3 - Boru/Tube: Ø80x3,5

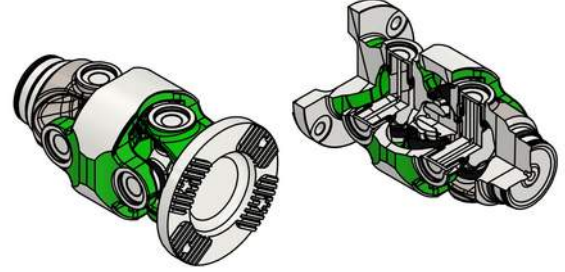
Ana Parca / Main Part			
Oymak No / Number	OEM No / Number	Urun Detayı/ Product Details	
111486	-	Merkezlemeli Sabit Mafsal Takımı (Double Joint Assy.) Ø34,9x106,3 / DIN150x8x12,1 (Bakımsız INA CUP/Unlubricated)	
Alt Parçalar / Sub Assembly			
Oymak No / Number	OEM No / Number	Parca Adı / Part Type	Urun Detayı/ Product Details
1109120	-	Istavroz / Universal Joint	Ø34,9x106,3 INA CUP BAKIMSIZ(Unlubricated)
112064	-	Çiftli Mafsal / Double Joint	Ø34,9x106,3 / H:102 mm
1105369	-	Flanşlı Çatal / Flange Yoke	Ø34,9x106,3 - DIN120x8x10,1 (Merkezlemeli/Centered)
1106221	-	Tüp Çatal / Tube Yoke	Ø34,9x106,3 - Boru/Tube: Ø80x3,5



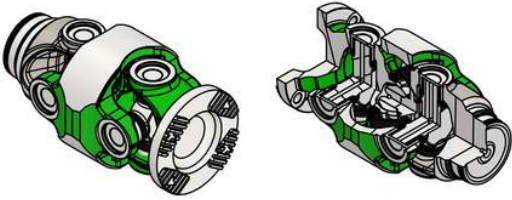
MERKEZLEMELİ MAFSAL TAKIMI / CENTERED CARDAN DOUBLE JOINT ASSM.



Ana Parca / Main Part			
Oymak No / Number	OEM No / Number	Urun Detayi/ Product Details	
111487	-	Merkezclemeli Sabit Mafsal Takımı (Double Joint Assy.) Ø34,9x106,3 / DIN150x8x12,1 (Bakımsız INA CUP/Unlubricated)	
Alt Parccalar / Sub Assembly			
Oymak No / Number	OEM No / Number	Parca Adı / Part Type	Urun Detayi/ Product Details
1109120	-	Istavroz / Universal Joint	Ø34,9x106,3 INA CUP BAKIMSIZ(Unlubricated)
112064	-	Çiftli Mafsal / Double Joint	Ø34,9x106,3 / H:102 mm
1105370	-	Flanşlı Çatal / Flange Yoke	Ø34,9x106,3 - XS154x4x13 (Merkezclemeli/Cenetered)
1106221	-	Tüp Çatal / Tube Yoke	Ø34,9x106,3 - Boru/Tube: Ø80x3,5



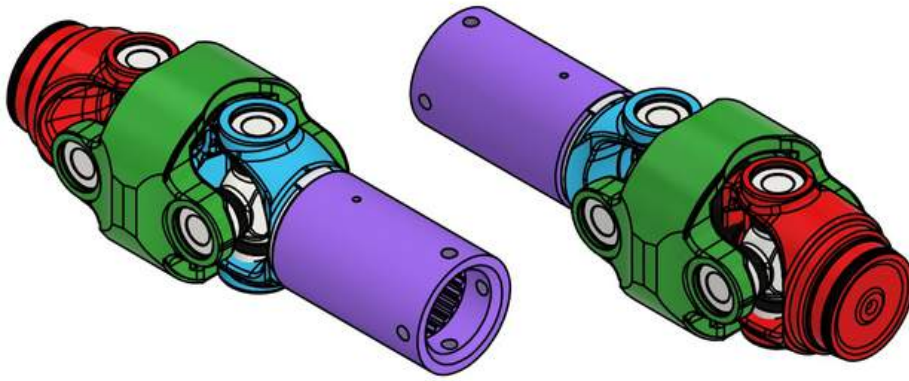
Ana Parca / Main Part			
Oymak No / Number	OEM No / Number	Urun Detayi/ Product Details	
111488	-	Merkezclemeli Sabit Mafsal Takımı (Double Joint Assy.) Ø34,9x106,3 / DIN150x8x12,1 (Bakımsız INA CUP/Unlubricated)	
Alt Parccalar / Sub Assembly			
Oymak No / Number	OEM No / Number	Parca Adı / Part Type	Urun Detayi/ Product Details
1109120	-	Istavroz / Universal Joint	Ø34,9x106,3 INA CUP BAKIMSIZ(Unlubricated)
112064	-	Çiftli Mafsal / Double Joint	Ø34,9x106,3 / H:102 mm
1105357	-	Flanşlı Çatal / Flange Yoke	Ø34,9x106,3 - XS120x4x11
1106221	-	Tüp Çatal / Tube Yoke	Ø34,9x106,3 - Boru/Tube: Ø80x3,5



MERKEZLEMELİ MAFSAL TAKIMI / CENTERED CARDAN DOUBLE JOINT ASSM.



Ana Parca / Main Part			
Oymak No / Number	OEM No / Number	Urun Detayı/ Product Details	
111489	-	Merkezlemeli Sabit Mafsal Takımı (Double Joint Assy.) Ø34,9x106,3 / DIN150x8x12,1 (Bakımsız INA CUP/Unlubricated)	
Alt Parçalar / Sub Assembly			
Oymak No / Number	OEM No / Number	Parca Adı / Part Type	Urun Detayı/ Product Details
1109120	-	Istavroz / Universal Joint	Ø34,9x106,3 INA CUP BAKIMSIZ(Unlubricated)
112064	-	Çiftli Mafsal / Double Joint	Ø34,9x106,3 / H:102 mm
1106222	-	Tüp Çatal / Tube Yoke	Ø34,9x106,3 - XS120x4x11
1106202	-	Tüp Çatal / Tube Yoke	Ø34,9x106,3 - Boru/Tube: Ø85x5
1117246	-	Kovan / Sleeve Tube	DIN5480 - 55x2,5x20



DOUBLE CARDAN

AFTERMARKET PARTS/ YEDEK PARÇALAR



Ana Parca / Main Part			
Oymak No / Number	OEM No / Number	Kategori / Category	Urun Detayi/ Product Details
1109120	-	Istavroz / Universal Joint	Istavroz 1480 Seri -Ø34,9x106,3 INA CUP - BAKIMSIZ(Unlubricated)
1109164	-	Istavroz / Universal Joint	Istavroz -Ø48x126 INA CUP - BAKIMSIZ(Unlubricated) (KEPTEN CIVATALI/Bolt From Cap)
1109080	-	Istavroz / Universal Joint	Ø34,9x106,3 mm - Yandan Grasörlüklü(Side Lubricated) (INA)
112056	-	Merkezlemeli Çiftli Mafsal / Centered Double Joint Assy.	Ø48,0x126,0 - H:115 mm
112064	-	Merkezlemeli Çiftli Mafsal / Centered Double Joint Assy.	Ø34,9x106,3 - H:102 mm
112072	-	Merkezlemeli Çiftli Mafsal / Centered Double Joint Assy.	Ø48,0x126,0- H:115 mm
1105341	-	Flanşlı Çatal / Flange Yoke	Ø34,9x106,3 - DIN150x8x12,1 (Merkezlemeli/Centered)
1105357	-	Flanşlı Çatal / Flange Yoke	Ø34,9x106,3 -XS120x4x11,0 (Merkezlemeli/Centered)
1105369	-	Flanşlı Çatal / Flange Yoke	Ø34,9x106,3 - DIN120x8x10,1 (Merkezlemeli/Centered)
1105370	-	Flanşlı Çatal / Flange Yoke	Ø34,9x106,3 -XS154x4x13,0 (Merkezlemeli/Centered)

Ana Parca / Main Part			
Oymak No / Number	OEM No / Number	Kategori / Category	Urun Detayi/ Product Details
1106202	-	Tüp Çatal / Tube Yoke	Ø34,9x106,3 - Tube: Ø85x5,0 (Merkezlemeli/Centered)
1106203	-	Tüp Çatal / Tube Yoke	Ø34,9x106,3 - Tube: Ø90x3,0 (Merkezlemeli/Centered)
1106221	-	Tüp Çatal / Tube Yoke	Ø34,9x106,3 - Tube: Ø80x3,5 (Merkezlemeli/Centered)
1106222	-	Tüp Çatal / Tube Yoke	Ø34,9x106,3 -Tube: Ø85x5,0 (Merkezlemeli/Centered)
1106161	-	Tüp Çatal / Tube Yoke	Ø48,0x126 - Tube: Ø80x4,0 (Merkezlemeli/Centered)
1112157	-	Çatalı Mil / Yoke Shaft	Ø48x126 (Merkezlemeli/Centered) - L: 325,5 mm
1121319	-	Kayıcı Takım / Slip Assy.	Ø48,0x126 - 7C Mechanics - DIN5480 55x2,5x20 L=262,5 mm