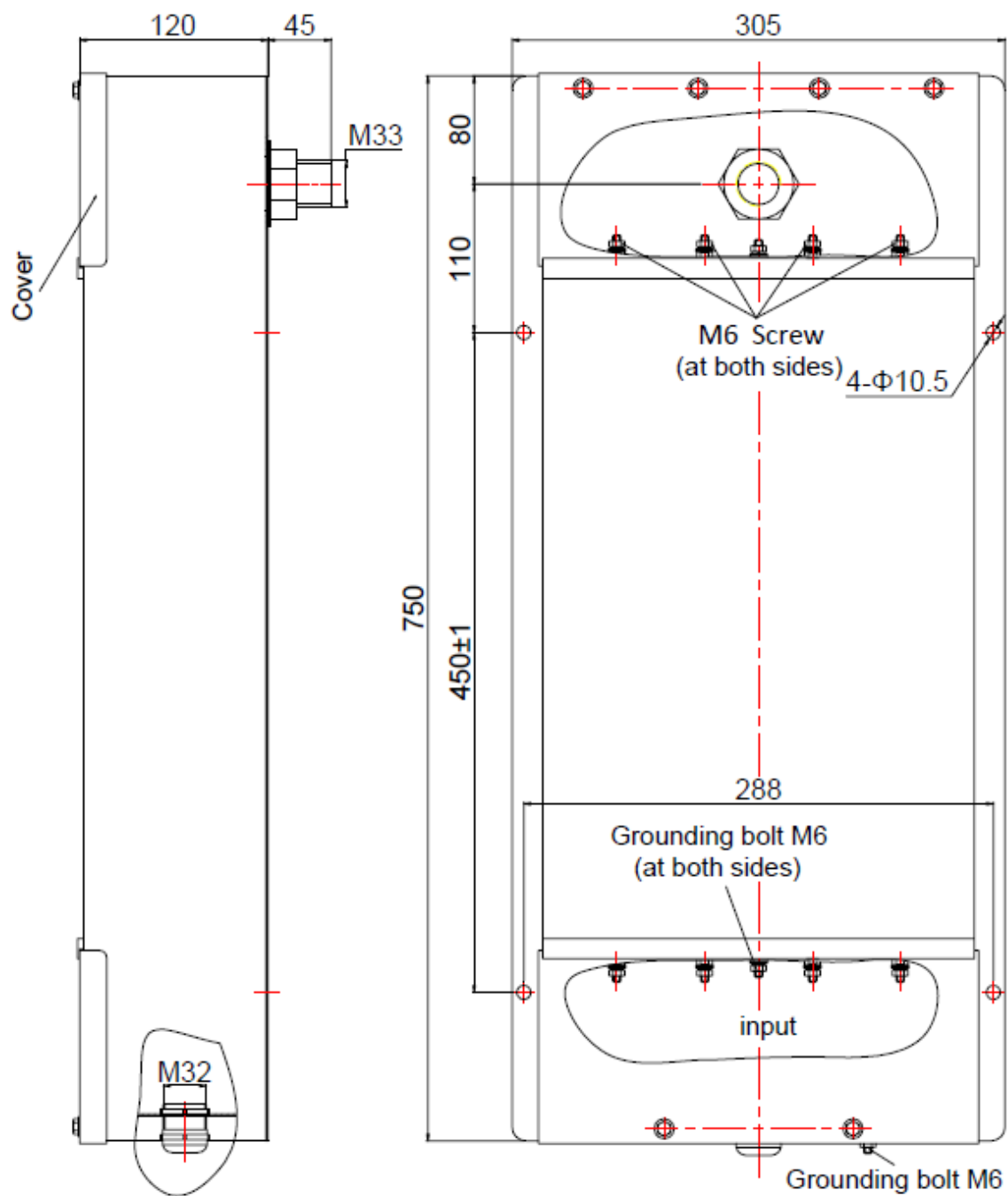




# U86C4x16

Power Line EMI Filter

## 1. Dimensions (mm)





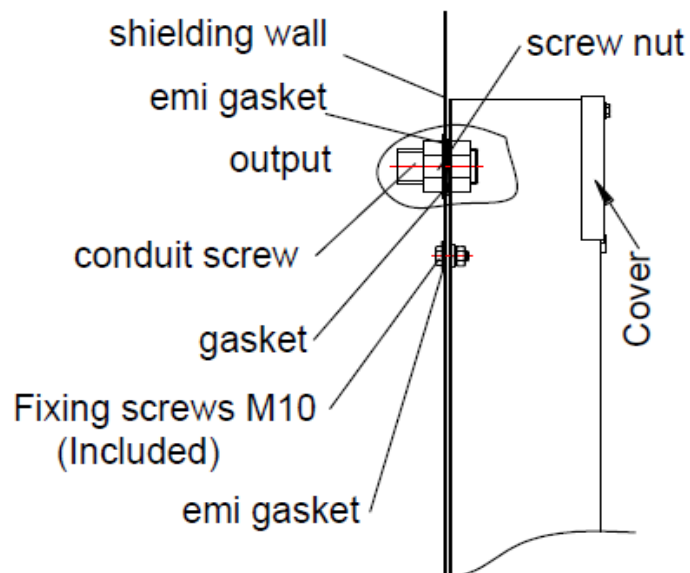
## 2. Specifications

<b>Rated Voltage</b>	480VAC/277VDC
<b>Operating Frequency</b>	0-60Hz
<b>Rated Current</b>	4x16A
<b>Shielding Effectiveness</b>	100dB, 14kHz-40GHz
<b>Climatic Category</b>	25/070/21
<b>Hipot Test</b>	1200VDC, 2 SEC

## 3. Typical Applications

EMC Anechoic Chambers

## 4. Installation Diagram





## 5. Accessories List

- ① M33 Conduit Screw: 1pc
- ② Gasket 33: 1pc
- ③ M33 Screw Nut: 1pc
- ④ EMI Gasket 33: 1pc
- ⑤ Certificate: 1pc
- ⑥ Cable Gland M32: 1pc