



**General information**

Name	EasyCharge DUO 18 AC	
SKU	2U-449719	
Description	2USB easyCharge DUO USB AC 18.0W/3.6A	

**Basics**

Model nr	9012F	
Customs nr (HS-code)	8536.69.90.99	
Color	SKU	EAN
Matt Black	2U-449719	8718868449719
Glossy white	2U-449221	8718868449221

**Dimensions**

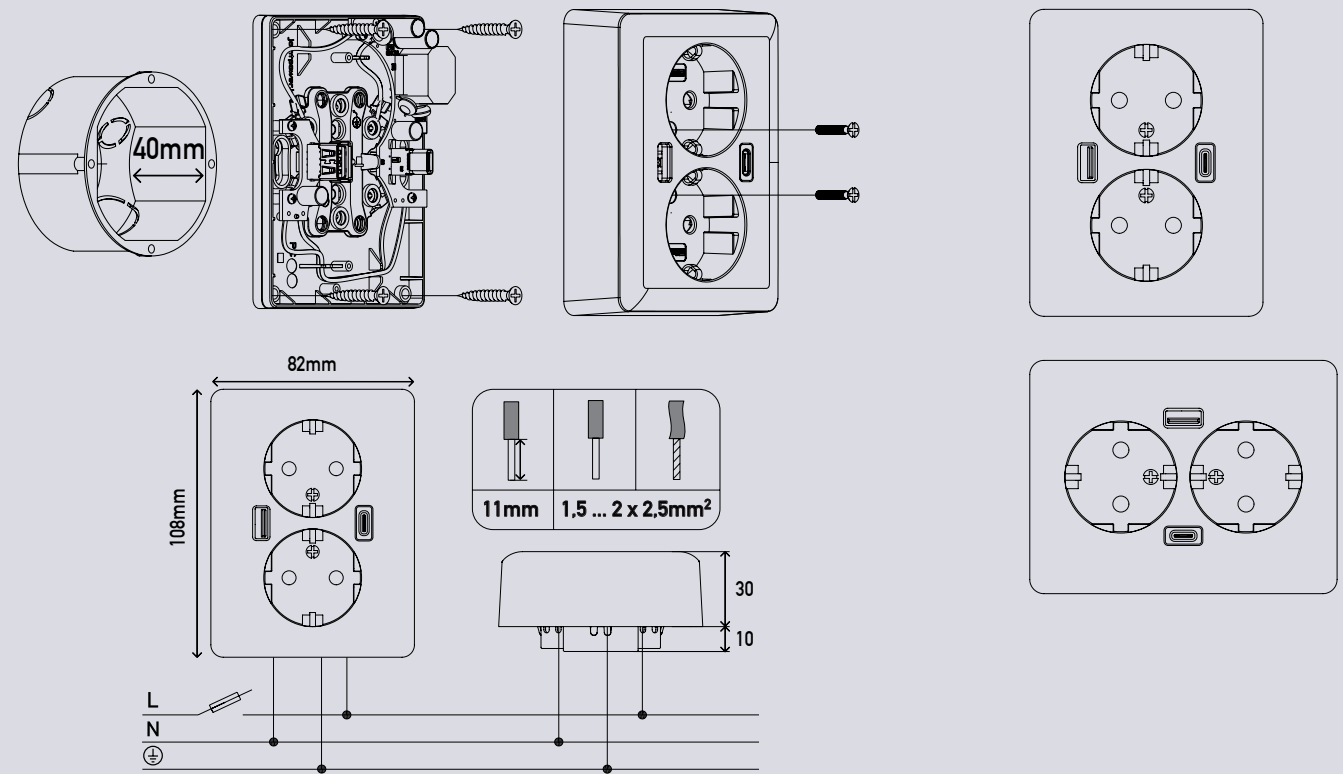
Depth (mm)	30
Height (mm)	108
Width (mm)	30
Nett weight (gram)	146
Gross weight (gram)	194
Mounting depth (mm)	10

**Certifications & Reports**

CB report	
KEMA-KEUR	

**Technical specifications**

Rated voltage	220-250 V AC
Rated frequency	50 Hz
Rated current	16A
Rated load	3680W
Input current	Max. 500 mA
Input terminals	Screw terminals
Input wiring	1,5mm <sup>2</sup> - 2*2,5mm <sup>2</sup> rigid, rigid-stranded or flexible
Stripping length (mm)	11
Overvoltage category (OVC)	III
Socket type IEC	Type F
Output ports	USB-A, USB-C
USB protocollen:	Smart IC to enable efficient charging
<b>Output current</b>	
USB-A	2.4 A/5.0 V DC
USB-C	3.8 A/5.0 V DC
Output power	18.0W (Total output power is shared between the USB ports)
Energy efficiency (%)	>=80%
Stand-by power (mW)	<= 80
Expected lifetime at full load (h)	20000
Operating temperature	0 - +40°C
Storage temperatures	-20°C - +80°C



**Compliance (CE & UKCA)**

Directives	Reference standards	National Norm
EMC	EN IEC 61000-3-2:2019+A1:2021	
EMC	EN 61000-3-3:2013+A1:2019	
EMC	EN 55032:2015+A11:2020	
EMC	EN-IEC 61204-3:2018	
EMC	EN 55035:2017+A11:2020	
ErP (EcoDesign)	2009/125/EC & (EU) 2019/1782	
LVD	IEC 60884-1:2022	
LVD	IEC 60884-3-1:2021	
LVD	IEC 60884-1:2022	NEK 502:2016+A1:2022
LVD	IEC 60884-1:2002 +A1:2006+A2:2013	SS 4280834 T1:2013
LVD	EN IEC 62368-1:2020	
LVD	EN IEC 61558-1:2019	
LVD	EN 61558-2-16:2009+A1:2013	
LVD	IEC 60884-1:2002 +A1:2006+A2:2013	SS-IEC 60884-1:2013
LVD	IEC 60884-1:2002 +A1:2006+A2:2013	NEN 1020:2019
LVD	IEC 60884-1:2002 +A1:2006+A2:2013	SFS 5610:2015+A11:2016
LVD	IEC 60884-1:2002 +A1:2006+A2:2013	NEK IEC 60884-1:2002+A1:2006+A2:2013
LVD		DIN VDE 0620-1:2021 (Clause 10.5)
LVD		DIN VDE 0620-1:2016+A1:2017
REACH	Regulation (EC) No 1907/2006	
RoHS	Directive 2011/65/EU	

