



# T 230 MVIP SLIM

## MOTORIZED VIP TURNSTILE

- Strong Mechanism
- Elegant Design
- Longlived
- Disabled Passage
- VIP Passage
- Spare Parts Support
- Logo Customization

## T 230 MVIP SLIM MOTORIZED VIP TURNSTILE

T 230 MVIP Slim Gate serves as an alternative passage lane for people with wheelchair and for other VIP passage purposes. Thanks to its stylish design and appearance, it can suit any interior.

### Application

T 230 MVIP Slim Gate can be installed in various interior locations like banks, ministries, administrative offices, public transportation centers, business centers and other similar sites as a VIP lane.

### Basic Materials

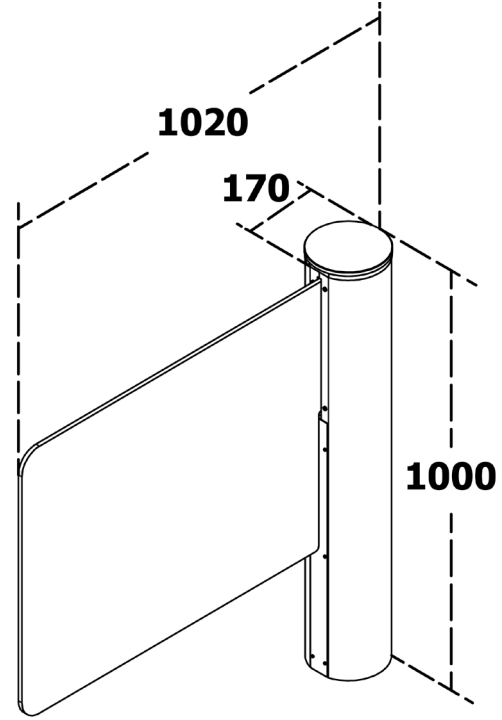
T 230 MVIP Slim Turnstile main body is made of 304 stainless steel, wings with 10 mm plexy glass. Red / Green/ Blue color indicator led is standard on the top cover. Also it is possible to apply logo on the wings. The electronic boards are designed by the qualified engineers of Makim, enabling T 230 MVIP Slim Gate work in various modes and entegrations together with the special PLC.

### General Usage

T 230 MVIP Slim Gate motorized VIP gate works bi-directionally. Any kind of access control system like card reader, biometric reader, remote control unit or push button can be connected to T 230 MVIP Slim via simple dry-contact. Once the access right is granted, T 230 MVIP Slim will open automatically, in 90° width. The gate stays in open position for 15 seconds and then closes & locks itself again. This open-waiting time can be changed on the PLC settings. The T 230 MVIP Slim Turnstile is suitable for disabled and VIP-purpose accesses, which are recommended to be installed next to the Makim tripod turnstiles to provide a lane for the main flow.

### Safety

In case of power cut, T 230 MVIP Slim Gate is unlocked to allow free passage in both directions. As an alternative, battery can be used to keep standard working mode of T 230 MVIP Slim Gate for a certain while in case of power cut.



Control /Operation Voltage	100-230 VAC 50/60 Hz
Power Consumption	30 W
Operation Temperature	- 10° C - + 50° C
Passage Speed	20-30 P / Minute
Weight	25 Kg
Usage Area	Indoor
Body	304 Grade SS
Wing Length	850 mm
Wing	10 mm Plexyglass
Top cover	12 mm Plexyglass
Optional Accessories	Biometric reader (with apparatus), card reader (with apparatus), button, remote control
Security Level	●●●○○

#### TURNSTILE FACTORY

Address: Ankara Uzay ve Havacılık İhtisas OSB, HAB OSB Mah. B25 Cd.No:3 06980 Kahramankazan/Ankara-TÜRKİYE  
Phone: +90 (312) 267 56 87 Fax: 0 (312) 267 56 99  
pazarlama@makim.com.tr

#### ACCESS CONTROL SALES OFFICE ANKARA

Address: Ger-San Sanayi Sitesi Batı Sitesi Mah. Gersan, 2307 Sk/3.Cad.No:16 06370 Ergazi / Ankara-TÜRKİYE  
Phone: +90 (312) 257 02 52 Fax: 0 (312) 257 02 55  
pazarlama@makim.com.tr

#### ACCESS CONTROL SALES OFFICE ISTANBUL

Address: Perpa Ticaret Merkezi, B Blok Kat: 2 No: 57-34384 Okmeydanı/Şişli İstanbul-TÜRKİYE  
Phone: +90 (212) 210 29 41 Fax: 0 (212) 210 68 15  
pazarlama@makim.com.tr

#### ACCESS CONTROL WAREHOUSE AND TECHNICAL DISPATCH

Address: Perpa Ticaret Merkezi, B Blok Kat: 1-2 No:57 Okmeydanı/Şişli İstanbul-TÜRKİYE  
Phone: +90 (212) 210 29 41 Fax: 0 (212) 210 68 15  
sube@makim.com.tr