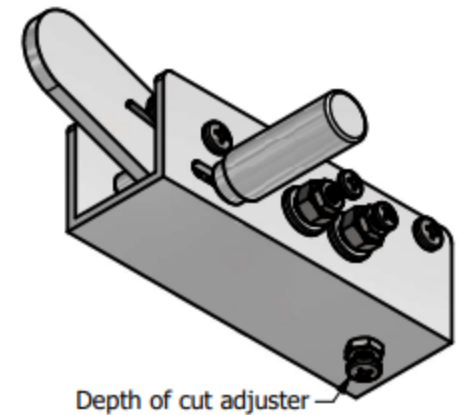
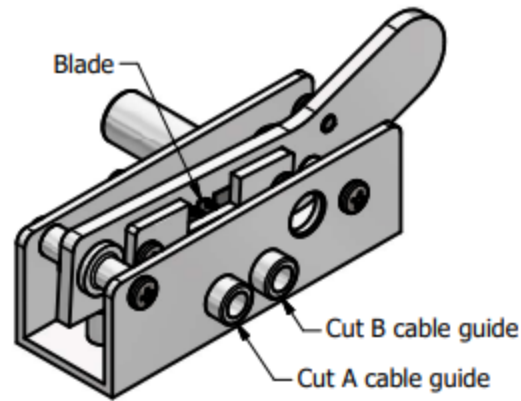
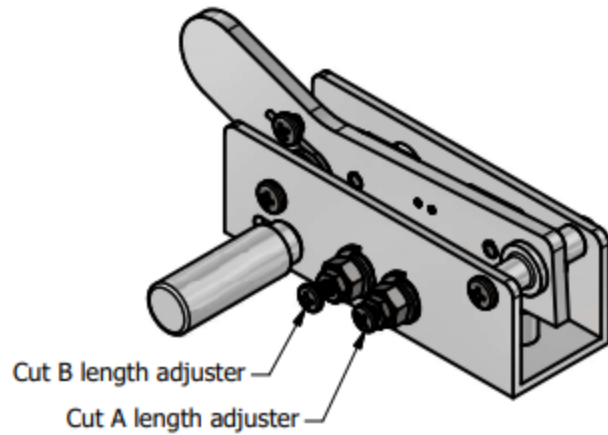




Important

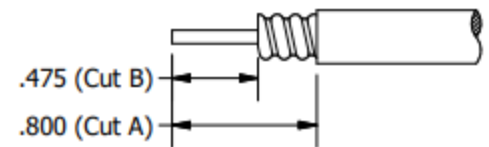
Any information in any way which pertains to this part shall be treated as proprietary and its use or disclosure in whole or part for purposes other than direct fulfillment of contracts with this company, without its written consent is prohibited.




Notes:

1. Connector: 7-10-63
2. Cable: 1/4 FSJ1-50A
3. Dimensions: 5.86 (L) x 3.66 (W) x 2.55 (H)
4. Blade: Any "Heavy duty" utility knife replacement such as Husky, Stanley, Craftsman or Dewalt. High carbon blades are **Not** recommended as they can leave residue (rust) on the cable and/or tool

Cable strip dimensions



UNLESS OTHERWISE SPECIFIED	DR. AM	4/2/2024	TITLE	MAT'L: Mat'l Spec.	
	APPR. AM	4/9/2024		AREA: 98.736 in ²	
ALL DIMENSIONS ARE BEFORE PLATE DIMENSIONS ARE IN INCHES TOLERANCES ON FRACTIONS DECIMALS 3PL DECIMALS 2PL ± 1/64 ± .005 ± .010 SURFACE TEXTURE: REMOVE ALL BURRS & SHARP EDGES THREADS: PLATING ALLOWANCES ARE .0002 MIN. .0003 MAX.	 TED MANUFACTURING CORP.		STRIPPER TOOL	MASS: 260.718 g	
				SIZE A4	
				DWG NO. 27-214	
				REV	

