

# BRAKE DRUMS



**MANY MORE TO  
COME !!**

<b>CODE</b>	<b>MODEL</b>	<b>WEIGHT KG</b>
TD0103	MAN	41
TD0104	BENZ	47
TD0109	BENZ	50
TD0110	MAN	47
TD0113	BENZ	48
TD0114	MAN	47
TD0119	MAN	53
TD0120	BENZ	43
TD0140	MAN	53
TD0140//	MAN	50
TD0153	MAN	43
TD0154	MAN	38
TD0160	MAN(MERC)	40
TD0161	MAN	53
TD0161//	MAN	50
TD0185	FREIGH	52
TD0199	FREIGHTLINER	47
TD0217	HINO	37
TD0218	NISSAN	50
TD0222	ISUZU	44
TD0224	TOYOTA	21
TD0243	HINO	19
TD0245	HINO	44
TD0246	HINO	55
TD0258	TOYOTA	16
TD0260	HINO	25
TD0264	NISSAN UD	
TD0266	NISSAN	52
TD0267	NISSAN	55
TD0282	NISSAN	34
TD0283	NISSAN	44
TD0284	NISSAN	32
TD0298	HINO	17
TD0299	NISSAN/HINO	17
TD0300	NISSAN	17
TD0319	EAGLE	47.5
TD0320	EAGLE	45
TD0334	EAGLE	48
TD0356	NISSAN	18
TD0403		42
TD0406	PROTEA	
TD0418	TRAILER SWIFT	38
TD0518	SWIFT	15

TD0523	SCANIA	85
TD0572	ISUZU	20
TD0573	ISUZU	16
TD0574	ISUZU	22
TD0576	ISUZU	28
TD0582	ISUZU	41
TD0587	ISUZU	50
TD0657	HINO	38
TD0629	DAEWOO	42
TD0638	DAEWOO	57
TD0643	TATA	
TD0645	EAGLE	52
TD0667	HINO	66
TD0695	HINO	46
TD0696	HINO	59
TD0729	NISSAN	68
TD0809	VOLVO	55
TD0810	VOLVO	73
TD0821	VOLVO	63
TD0823	VOLVO	58
TD0826	ISUZU	42
TD0831	ISUZU	44
TD0851	VOLVO	55
TD0892	FAW	45
TD0963	BPW	41
TD1115	BPW(OLD MODEL)	50
TD115A	BPW(NEW TYPE)	50
TD1117	BPW(OLD TYPE)	40
TD1117A	BPW(NEW TYPE)	40

# EQUALIZER ROCKER



**EQL001**

**EQUALIZER(ROCKER) 8MM**

# ROCKER PIN



**EQLP001**

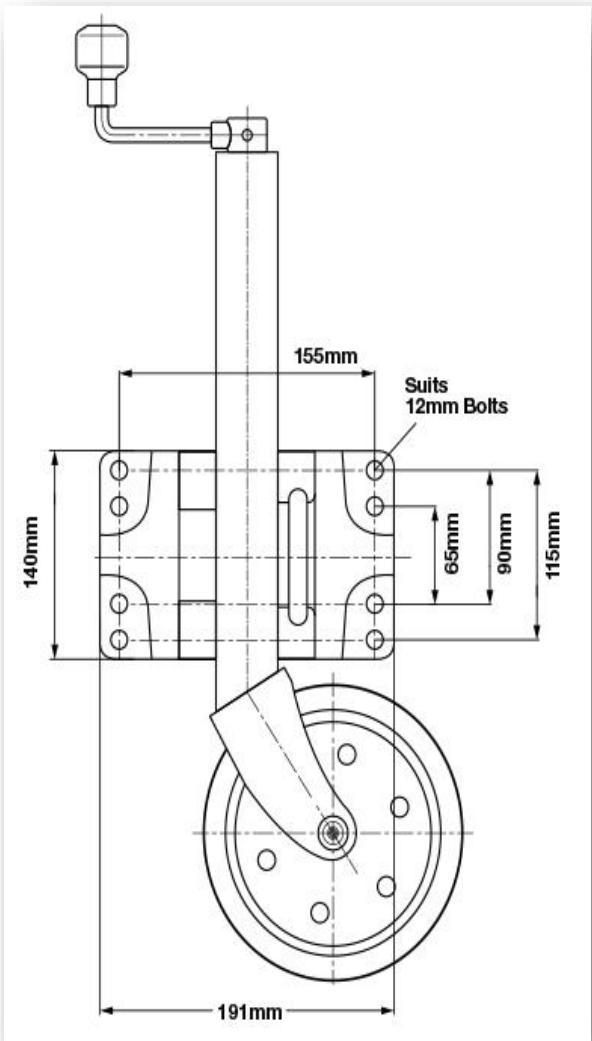
**EQUALIZER(F ROCKER) PIN /  
COMPLETE-EN9**

# JOCKEY WHEEL WITH SWIVEL PLATE



## JW48-8SSP

### JOCKEY WHEEL WITH SWIVEL PLATE



# SPRING BLADE

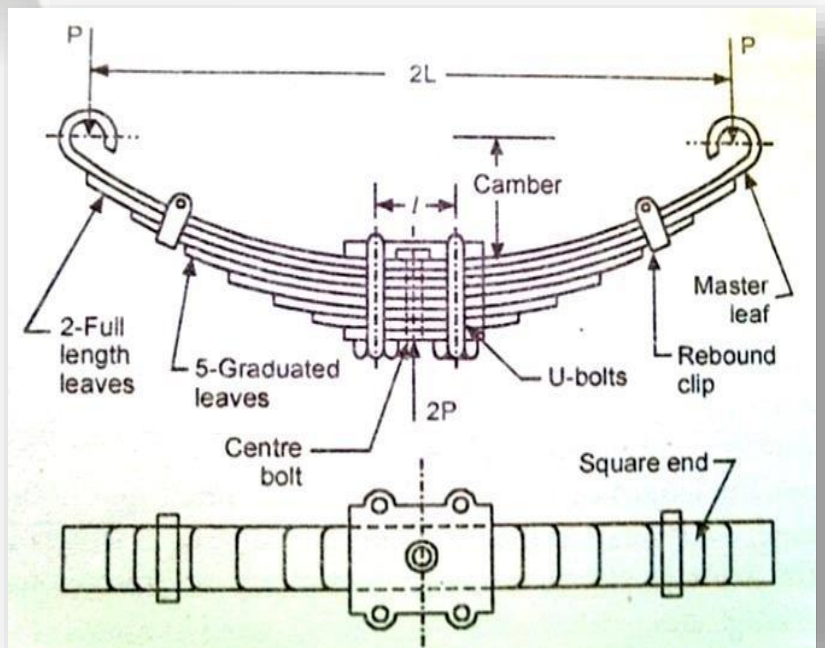
## LEAF 6



**LS6-27**

**SPRING BLADE LEAF**

**6/7/9**



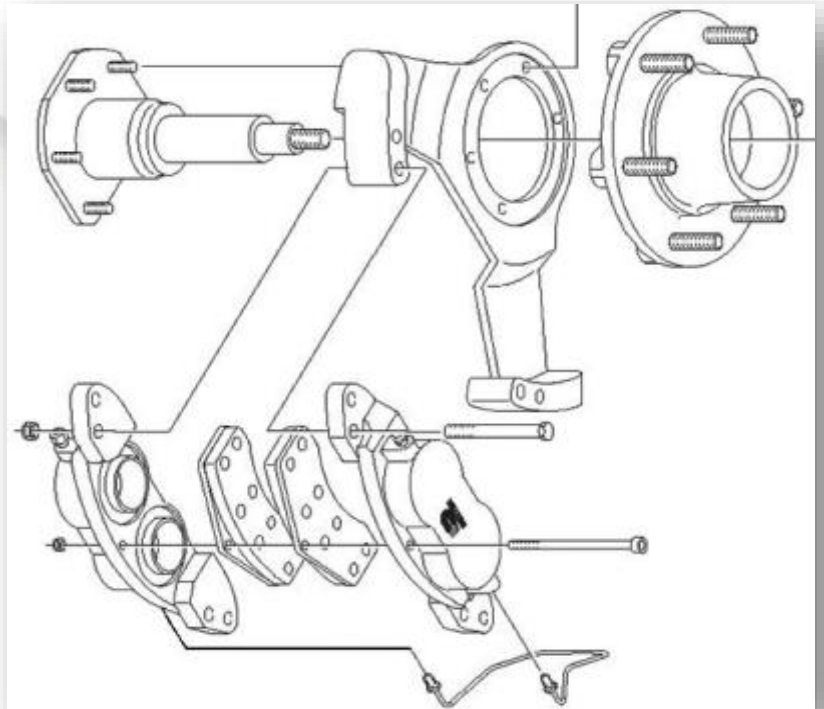
# WHEEL HUB



**BPW290**

**BPW BRAKE DRUM OEM**

**0310667290**



# WHEEL NUT



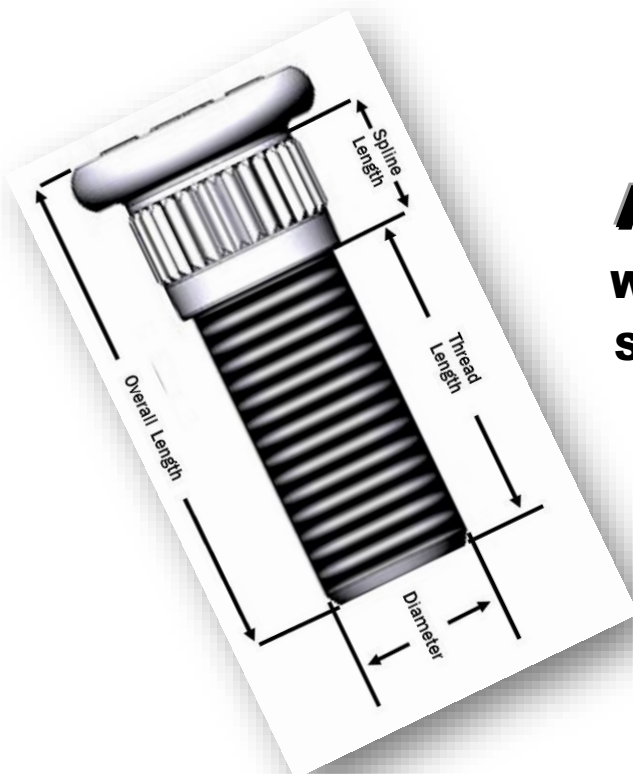
**XN001201**

**WHEEL**

**NUT\M22X1.5\WHEEL**

**SPL BLACK**

# WHEEL STUD



**AJ000101**

**WHEEL STUD M22X1.5**

**SERRATED**

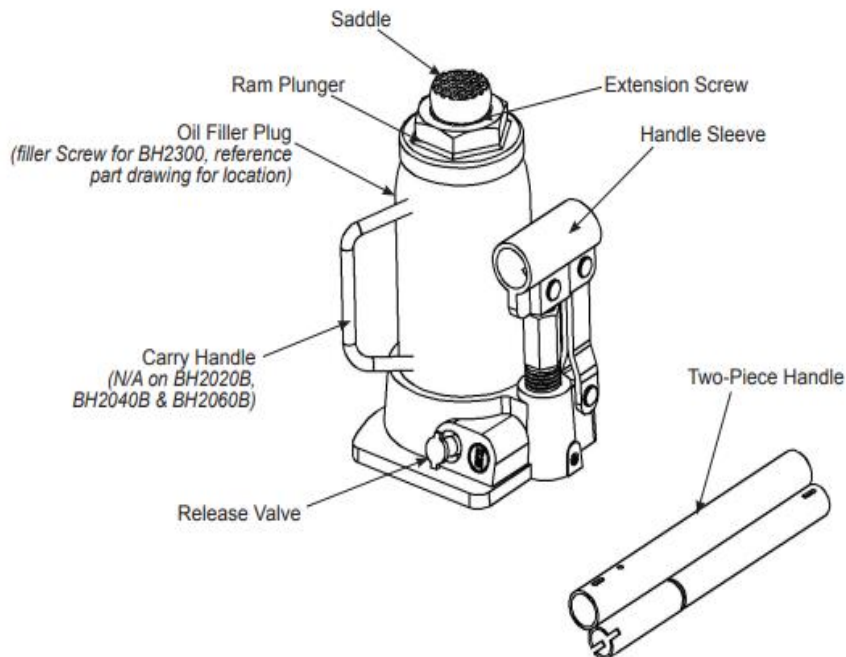
**103MM**



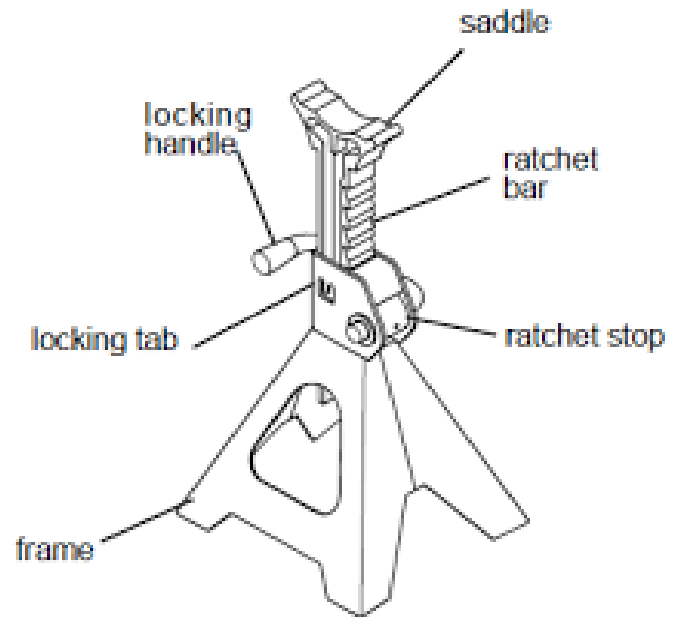
# BOTTLE JACK



Capacity Kgs	Min Height mm	Lifting Height mm	Adj. Height mm	Weight kgs
2000	181	116	48	3.1
3000	194	118	60	3.8
5000	216	127	70	5.1
8000	230	147	80	5.8
10000	230	150	80	7.1
12000	230	155	80	8.3
15000	230	150	80	9.3
20000	242	150	60	11.9
25000	250	155	60	15.3
32000	260	155	60	17.5
40000	260	155	60	23.5
50000	270	160	60	27.5



# JACK STAND



## SPEifications

### SIZES AVAILABLE

3T

6T

12T

20T

# TROLLEY JACKS



## SPEIFICATIONS

### SIZES AVAILABLE

2T

3T

4T

5T

20T

