

Fender deck socket 120mm

Material: Stainless steel

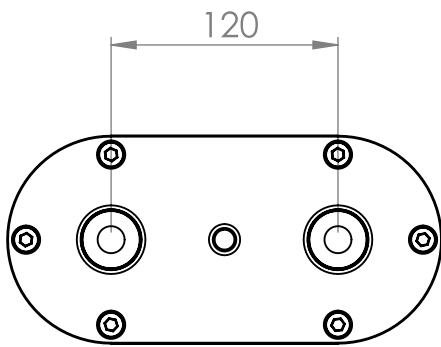
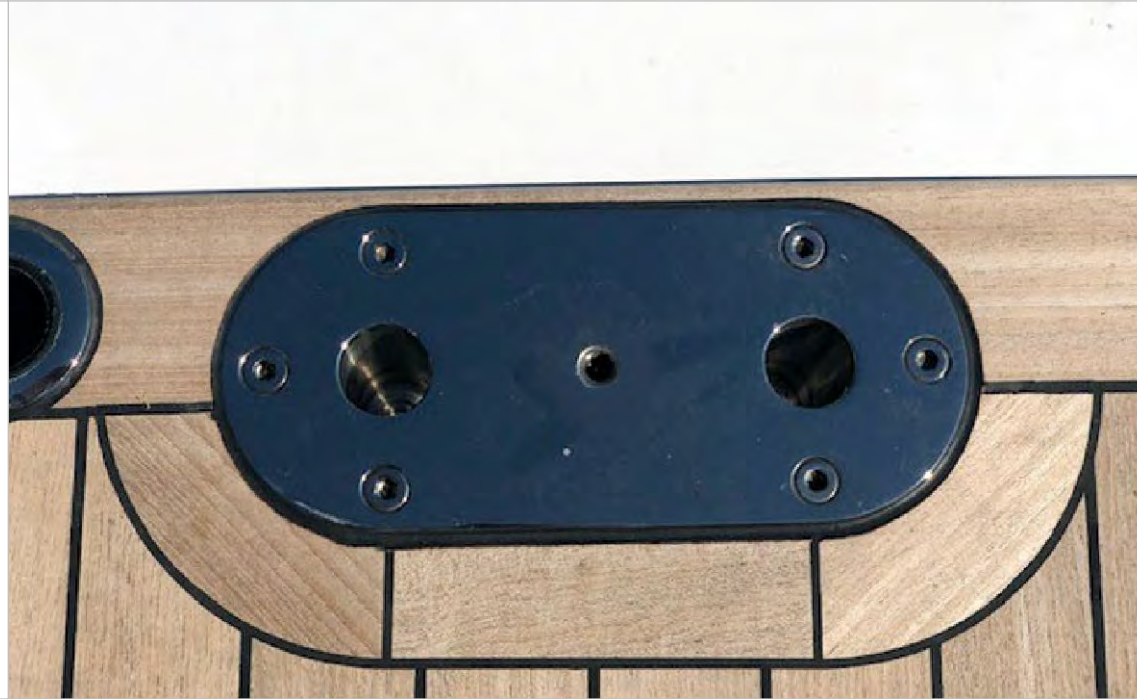
2000001883

Description

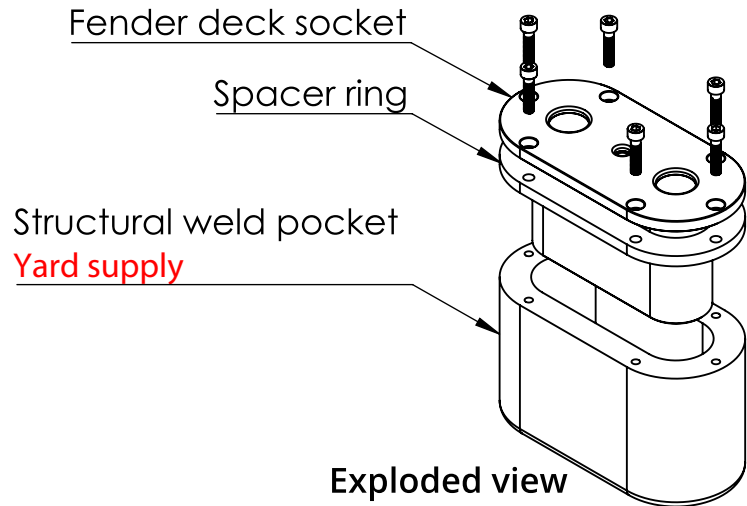
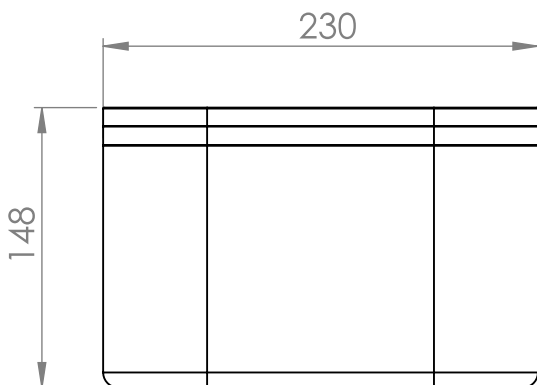
The fender deck socket 120mm is a strong, yet elegant flush attachment point for the fenders on deck.

No drainage for the fender deck socket is needed, thanks to the unique drainage system of the deck socket fitting 120mm.

The fender deck socket can be installed with various finishes, please consult the Xquip engineering department for the various options and possibilities.



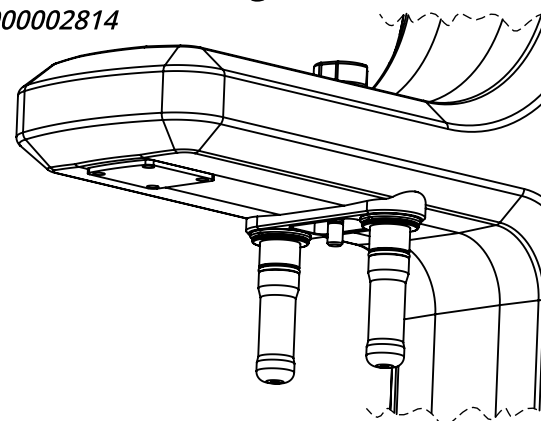
Top view



Exploded view

Fender deck fitting 120mm

20000002814



Fender deck pocket 120mm

Material: To be determined by yard

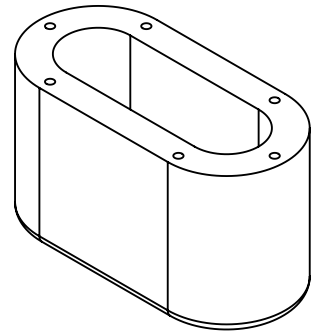
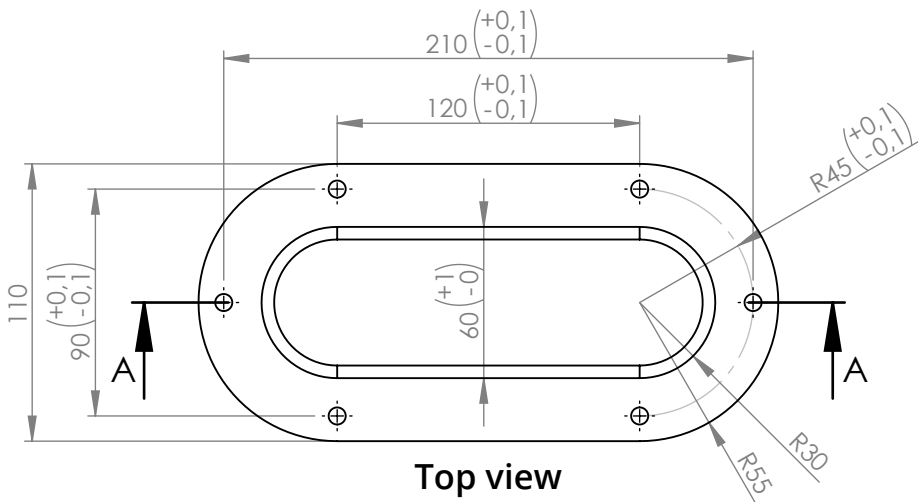
2000001878

Description

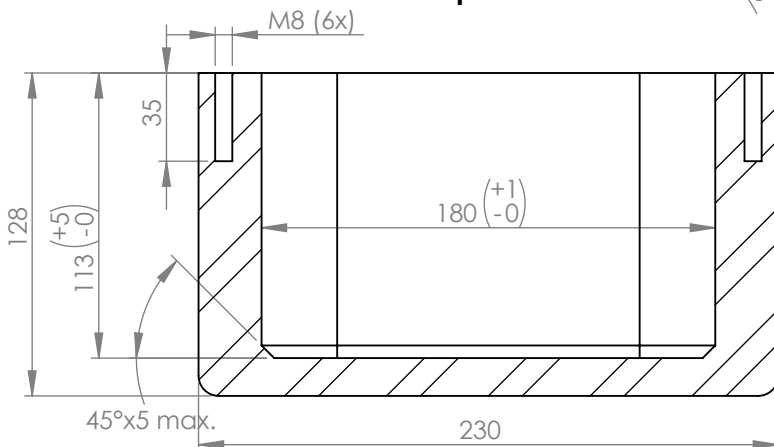
The fender deck pocket 120mm is the adaptor of the fender deck socket 120mm. The fender deck pocket will hold the fender deck socket firmly in place.

The fender deck pocket is an external party supply (Shipyard/ subcontractor).

The inside dimensions of the fender deck pocket and bolt pattern are fixed and can not be changed without consulting the Xquip engineering department.



Isometric view

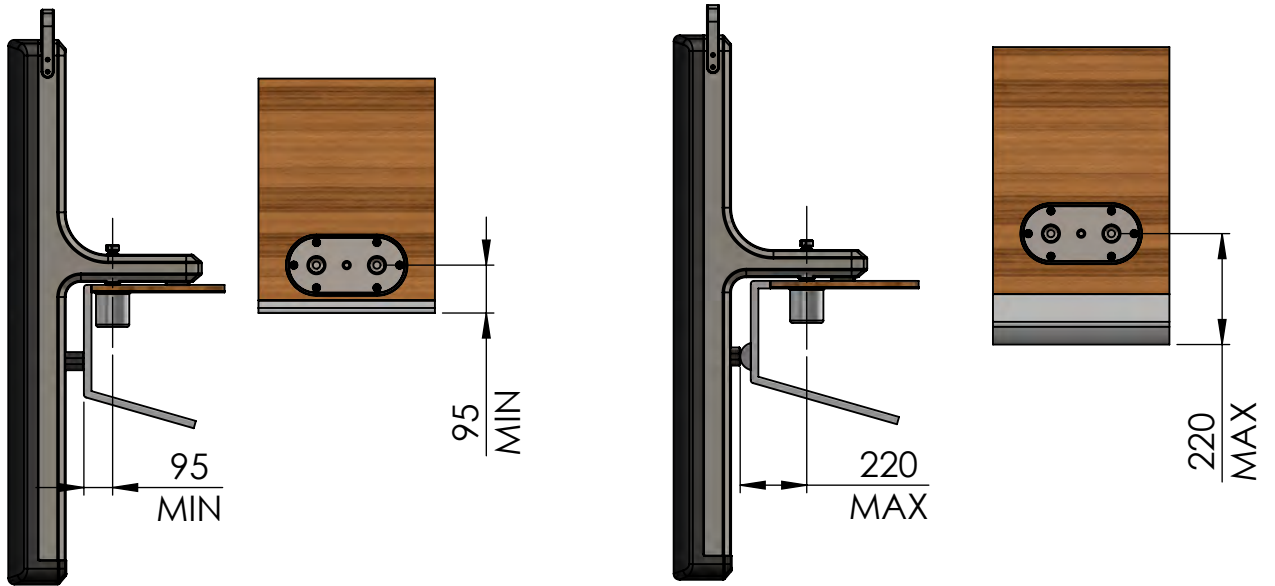


Hole pattern is fixed.
 Final geometry to be determined by yard.
NOT Xquip supply.
 This geometry is just a suggestion.

Fender pocket positioning in deck

For the X1 & Essential + Roll fenders

Essential + Roll Fender



X1 Fender

