

Carbon roll fenders

Material: Carbon fiber, AISI 316 stainless steel, PU foam

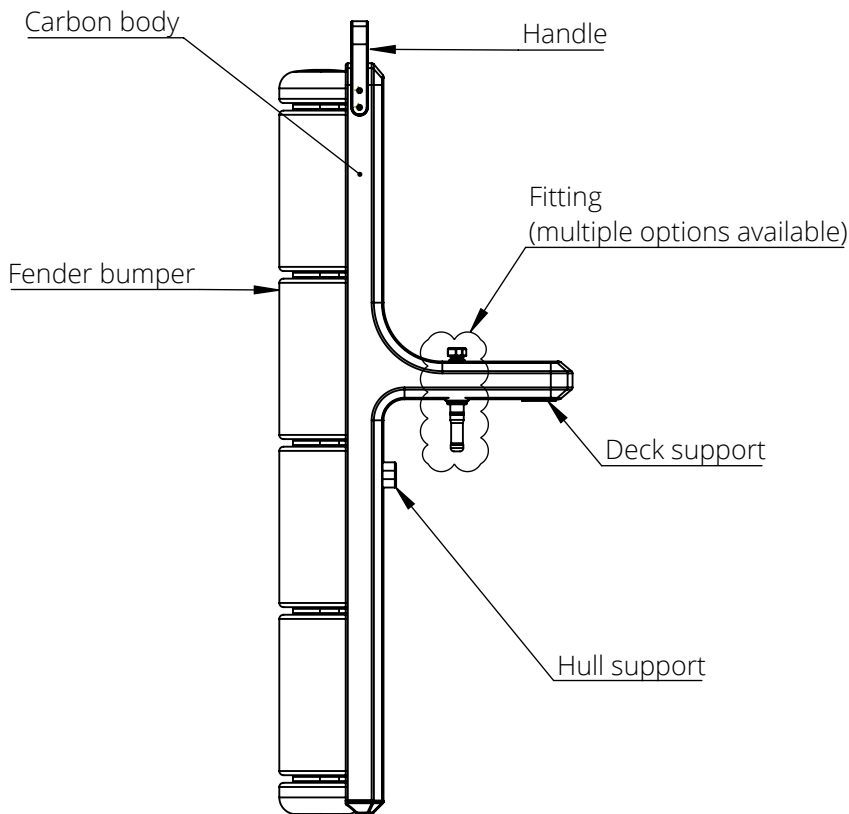
2000002800

Description

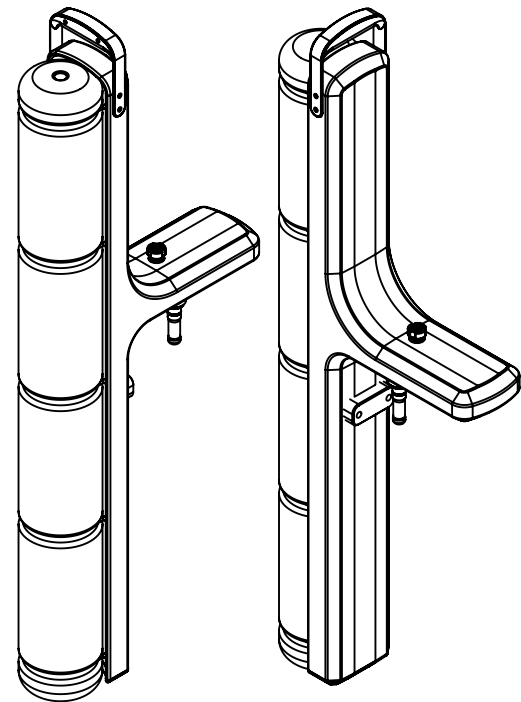
The roll fender is a versatile fender that keeps vessels up to 10 tons safely alongside the any yacht.

Care has been taken into designing a solution that is both strong and aesthetically appealing. The durable rolling fender bumpers allows for tenders to gently slide along the fenders without damaging paintwork.

The fender body is entirely made out of carbon fiber, therefore very light weight.



Side view



Isometric views

see drawing on next page for dimensions

Carbon roll fenders

Material: Carbon fiber, AISI 316 stainless steel, PU foam

2000002800

