

HOTOMOBIL CAMPER FRANCE  
4 RUE MARIE LOUISE AUSSET  
38160 ST MARCELLIN  
04 76 38 22 65

TARIF TTC CLIENT GLADIATOR SE

**Contact**

Laurent MONTAGNER  
octanemoto38@wanadoo.fr  
+33 6 87 61 51 85

**GLADIATOR EU SIZE**

	MEGA EDITION / GLADIATOR SE
Weight	790 KG
Cabin Floor Length	186 cm
Cabin width between wheelhouses	120 cm
Interior Height	195 cm
Body	Monocoque and non-flammable body
Interior Concept	Luxury Design
Bathroom Equipment	Gladiator SE Bathroom & Thetford Casette Toilet & Hack with fan
Isolation	20 mm Thermos Effect
Furniture	Laminate on counter
Air Heating System	Diesel Heater Eberspacher D2L 12V
Water Heater System	Truma Therme 220V with frost kontrol
Service Battery	Lifepo4 150Ah Lithium Battery
External Equipment	Locked Water Filling Port & 220 V External Energy Input
Control Panel	Electronic Control Panel (7 inch)
Gas Sensor	Gas Sensor(CBE)

**GLADIATOR EU SIZE**

	MEGA EDITION / GLADIATOR SE
Outdoor Shower System	Reich
Fresh Water Tank	55 L
Waste Water Tank	30 L
Living Room Window	Berhimi 45x50 (2x) Living Room Window
Kitchen Window	Berhimi 70x30 (1x) Kitchen Windows
Bedroom Windows	Berhimi 70x30 (2x) Bedroom Windows
Kitchen	Sink & 2 Burn Stove(Foldable) & Tap
Kitchen Upper Cabinet	Kitchen Upper Cabinet
Awning	Hotomobil Awning (220x240 cm)
Entrance Door Lighting	Sanel
Interior Lighting Packet	2x Reading Lamp & 3x Extra Lights & LED System
External Lighting Package	2X Lighting
Inverter	Linetech 1000W Inverter
Solar Energy System	205 W Solar Panel & MPPT 30A
Extra Cupboard + Fridge	Extra Cupboard & Fridge Thetford 90 L
Interior Electrical Equipment	12V Socket & USB port
Adventure Package	Sand Palette & Axe & Shovel
Exterior Coating	Gladiator Polyurea Exterior Coating

**TARIF TTC FRANCE TVA 20%****4 1900 €****TARIF OPTIONS HT TVA 20%**

Universal Type Internal Socket Weight: KG	€200.00
--	---------

## GLADIATOR EU SIZE

	MEGA EDITION / GLADIATOR SE
Gladiator Extra Fiber Color (Yellow Ral1021 , Dark Blue Ral 5011 ) Weight: 10.00 KG	€385.00
Gladiator Branding (Only for fiber color) Weight: 0.00 KG	€440.00
Dometic Awning Difference Weight: 5.00 KG	€770.00
Outdoor Shower Curtain Weight: 3.00 KG	€308.00
Gladiator Jack (4x) Weight: 52.00 KG	€1,500.00
External Ladder Weight: 10.00 KG	€220.00
Efficient Energy Package This package provides uninterrupted hot water by continuously operating the Truma Therme Boiler (220V) with a 12V power source without relying on external energy for the cabin. Additionally, it allows for high-power-consuming appliances such as hair straighteners, coffee machines, airfryers, to operate when the caravan is connected to electrical hookups at the camping areas. *Inverter should required. Weight: KG	€350.00
Gladiator Cruise Charger (7 Pin Connector) Weight: 1.00 KG	€770.00
Eberspacher Hydronic S3 Difference ( Cabin & Water Heating) Weight: KG	€1,600.00
220V Truma Compact 2,2kW Air conditioner(Truma) Weight: 29.50 KG	€2,900.00
220V Maxxair 2,4kW Air conditioner Weight: 36.00 KG	€2,300.00

## GLADIATOR EU SIZE

	MEGA EDITION / GLADIATOR SE
Urban Badger Portable Fridge 25 L Weight: 5.00 KG	€330.00
Lifepo4 Lithium 200 Ah Battery Difference Weight: 5.00 KG	€400.00
Urban Badger x Gladiator Adventure Gear Bundle For content request the catalog. Weight: KG	€197.00
Outdoor Table Weight: 2.00 KG	€396.00

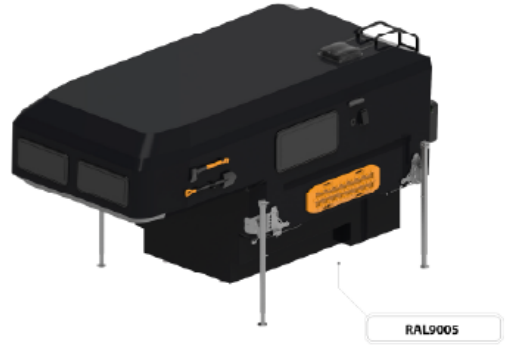
### Color Options

Gray Poliurea	
Yellow Fiber	

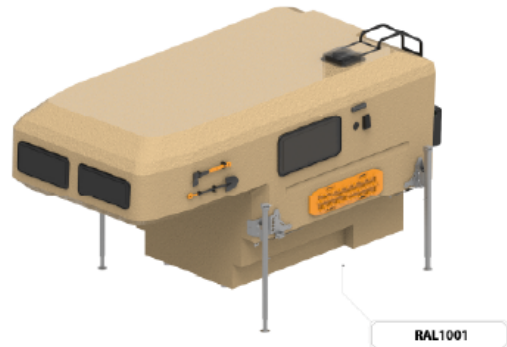
## GLADIATOR EU SIZE

MEGA EDITION / GLADIATOR SE

Black Poliürea



Desert Poliürea



Standart Beyaz Fiber

Dark Blue Fiber

Khaki Poliürea



White Poliürea

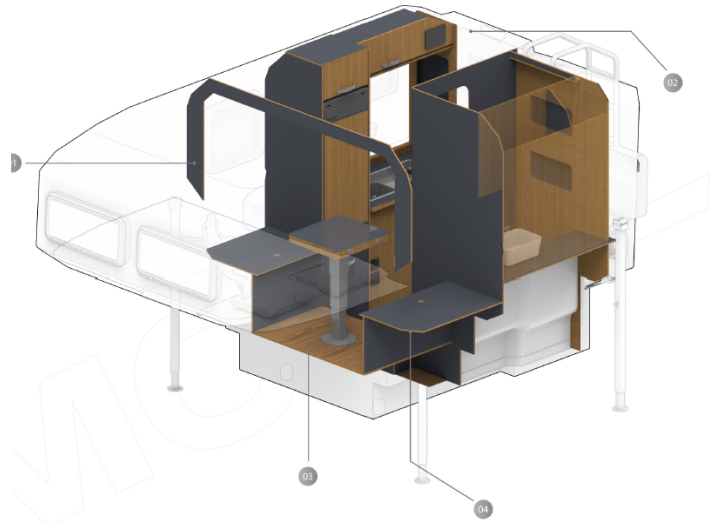
Blue Poliürea

Concept Options

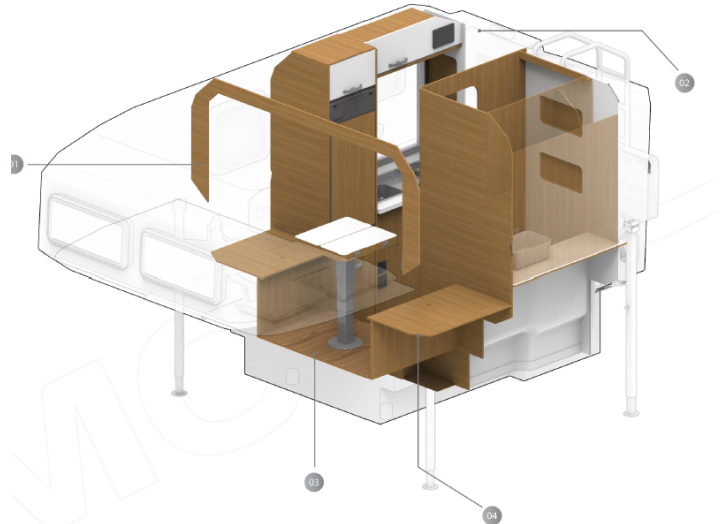
# GLADIATOR EU SIZE

## MEGA EDITION / GLADIATOR SE

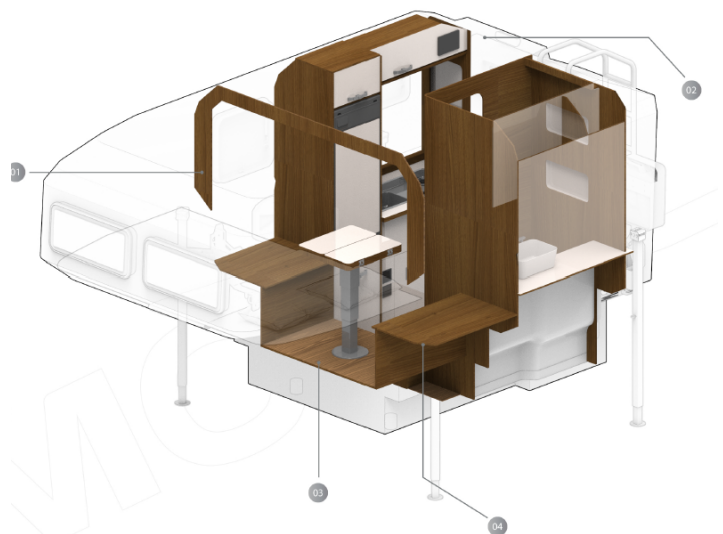
Sis Concept



Deluxe Concept



Royal Concept



First Class Concept