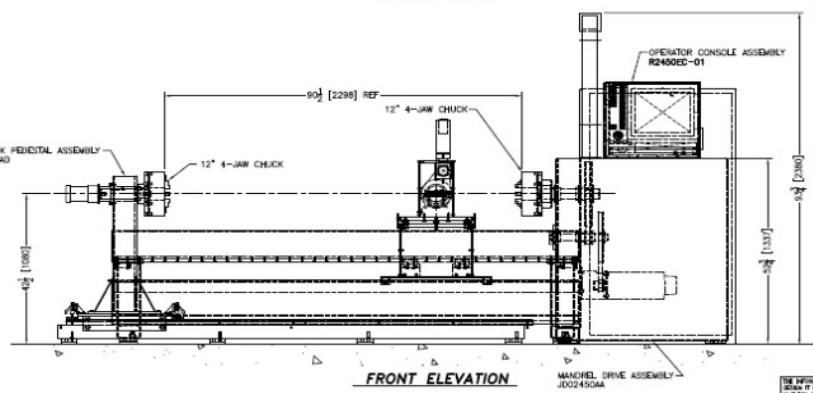
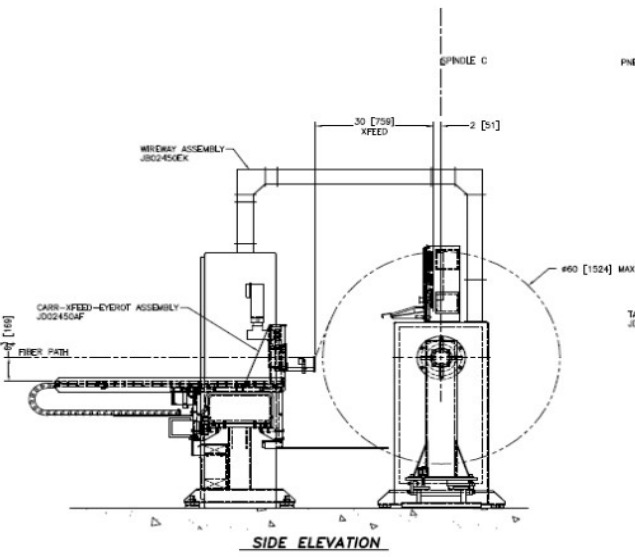


MACHINE SPECIFICATIONS:	
MANDREL AXIS:	
EFFECTIVE SPEED RANGE	0-110 RPM
MAXIMUM MANDREL DIAMETER	365" [1524 mm]
MAXIMUM MANDREL HEIGHT	8000 lb [2721 kg]
RATED TORQUE	3421 in-lb [612 N-m]
CARRIAGE AXIS:	
USABLE TRAVEL	87" [2207 mm]
MAXIMUM SPEED	200 ft/min [1 m/s]
WEIGHT CAPACITY	300 lb [227 kg]
CROSSFEED AXIS:	
USABLE TRAVEL	30" [762mm]
MAXIMUM SPEED	120 ft/min [0.63 m/s]
ROTATING EYE AXIS:	
USABLE TRAVEL	360"
MAXIMUM SPEED	60 rpm
ELECTRICAL REQUIREMENTS:	
3Ø, 480VAC, 60Hz, 3ØA	
PNEUMATIC REQUIREMENTS:	
90 psi	



THE APPROXER CONSIDERED IN THE DRAWING ABOVE THE USER AND USER'S EMPLOYER IS ADVISED THAT THE APPROXER IS NOT TO BE USED IN THE OPERATION OR REPAIR OF SUCH MACHINES. IT IS NOT TO BE SPECIFIED OR USED IN CONNECTION WITH A MACHINE OR A PART THEREOF WITHOUT WRITTEN PERMISSION.

<p>THE INFORMATION CONTAINED IN THIS DRAWING IS THE PROPERTY OF THE USER AND USER'S EMPLOYER. IT IS TO BE USED ONLY FOR THE SPECIFIC MACHINES AND PARTS SPECIFICALLY IDENTIFIED IN THIS DRAWING. IT IS NOT TO BE REPRODUCED OR TRANSMITTED IN ANY FORM OR BY ANY MEANS, ELECTRONIC OR MECHANICAL, INCLUDING PHOTOCOPYING, RECORDING, OR BY ANY INFORMATION STORAGE AND RETRIEVAL SYSTEM, WITHOUT THE WRITTEN PERMISSION OF THE USER AND USER'S EMPLOYER.</p>				<p>REV. 002 001 11/20/2002 0010 PHONE: (714) 998-3000 FAX: (714) 998-3000 E-MAIL: info@mcclainanderson.com</p>
<p>UNLESS OTHERWISE SPECIFIED:</p> <p>(1) ALL DIMENSIONS ARE IN INCHES</p> <p>(2) HOLE TO THE EDGE OF HOLES</p> <p>(3) HOLE ALL THRU HOLES</p> <p>(4) UNLESS OTHERWISE SPECIFIED</p> <p>FRACTIONS: 1/8" = 0.125" DECIMALS: 0.001" ANGLES: AS SHOWN</p>		<p>FILE: WMC-1-4-3M-OMNIPC</p> <p>GENERAL ARRANGEMENT</p> <p>DATE: 01/10/2002</p> <p>SCALE: 3/4"=1'-0"</p>	<p>DRAWN BY: JDC</p> <p>CHECKED BY: JDC</p> <p>DATE: JDC</p>	<p>PROJECT NO: JD024500A</p>