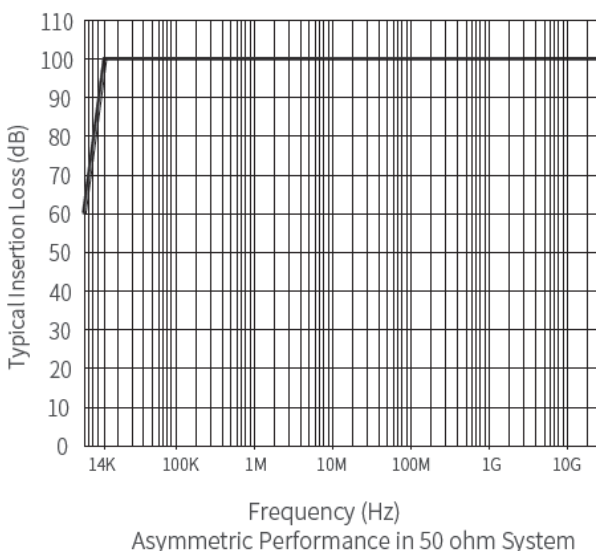




POWER LINE FILTERS FOR ANECHOIC CHAMBER

✧ TYPICAL APPLICATIONS

For anechoic chamber where the effective suppression of both conduction and radiation emission required.

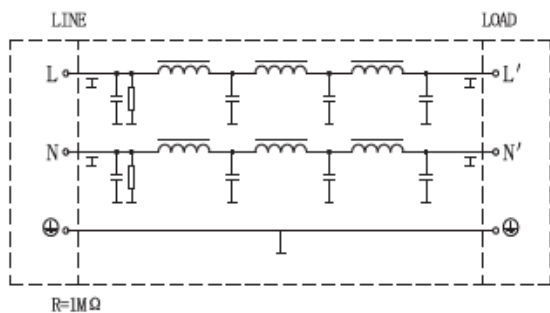


✧ TECHNICAL DATA

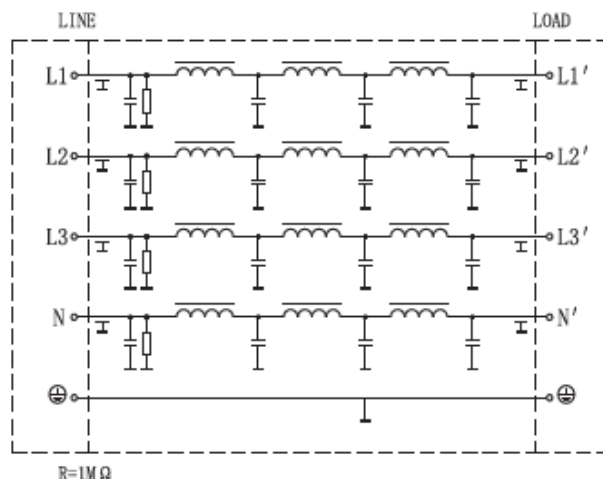
Rate voltage VR for two-line filters	277VAC / 500VDC	Line-Line or Line-Case
Rate voltage VR for four-line filters	480VAC	Line-Line
	277VAC	Line-Case
Rated Frequency fr	DC-60Hz	
Rated Current IR	See characteristics	Referred to +40°C ambient temperature
Number of lines	2 or 4	
Insertion Loss, Per MIL-STD-220C	See characteristics	14k-40GHz
DC Resistance	See characteristics	Each line
Power Dissipation	See characteristics	At rated current
Test Voltage	1200VDC/2s	Line-Line or Line-Case
Voltage Drop/ Phase ΔV	<1%	Of VR at 50Hz and IR
Leakage Current I _{leakage}	See characteristics	@250VAC, 50Hz
Reactive Current I _{reactive}	See characteristics	@250VAC, 50Hz
Discharge Time to Below 34V	30s	
Climatic Category	25/085/21	



✧ CIRCUIT DIAGRAMS



2-line filters



4-line filters

✧ PRODUCT RANGE

TYPE	IR (A)	I _{LEAKAGE} (A)*	I _{REACTIVE} (A)	DC RESISTANCE (mΩ)	POWER DISSIPATION (w)	CONNECTION	INSERTION LOSS (dB)
U82C2x16	2x16	3.5	3.5	<70	<40	M6 Screw	100dB, 14k~40GHz
U82C2x32	2x32	5	5	<20	<40	M6 Screw	
U82C2x63	2x63	5	5	<15	<90	M6 Screw	
U82C2x100	2x100	9	9	<5	<120	M12 Screw	
U82C2x150	2x150	9	9	<3	<140	M12 Screw	
U82C4x16	4x16	0.7	3.5	<70	<70	M6 Screw	
U82C4x32	4x32	0.9	5	<20	<80	M6 Screw	
U82C4x63	4x63	0.9	5	<15	<170	M6 Screw	
U82C4x100	4x100	1.7	9	<5	<220	M12 Screw	
U82C4x150	4x150	1.7	9	<3	<270	M12 Screw	
U82C1x200	200	9	9	<2.5	<120	M12 Screw	

- If voltage between neutral and earth is 0V
- One-phase and three-phase filters. Ratings are available up to 3500VDC / 25KVAC and 5000A. Single, dual, multi-stage design.



✧ DIMENSIONAL DIAGRAMS

Diagram 1

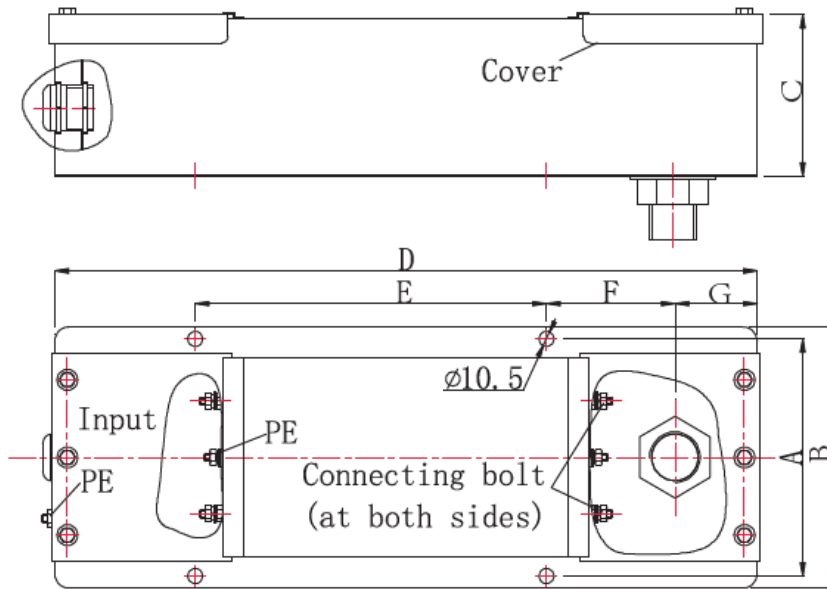


Diagram 2

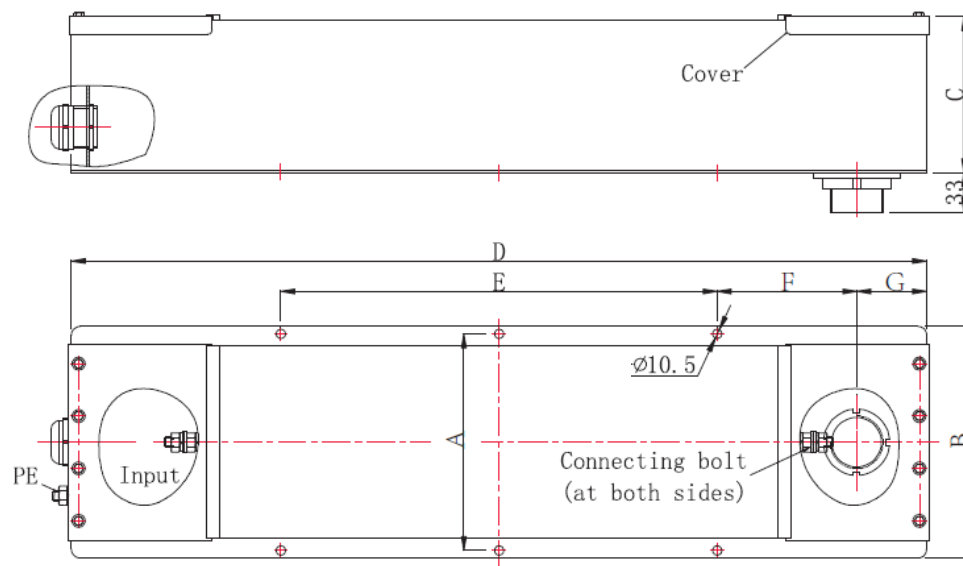
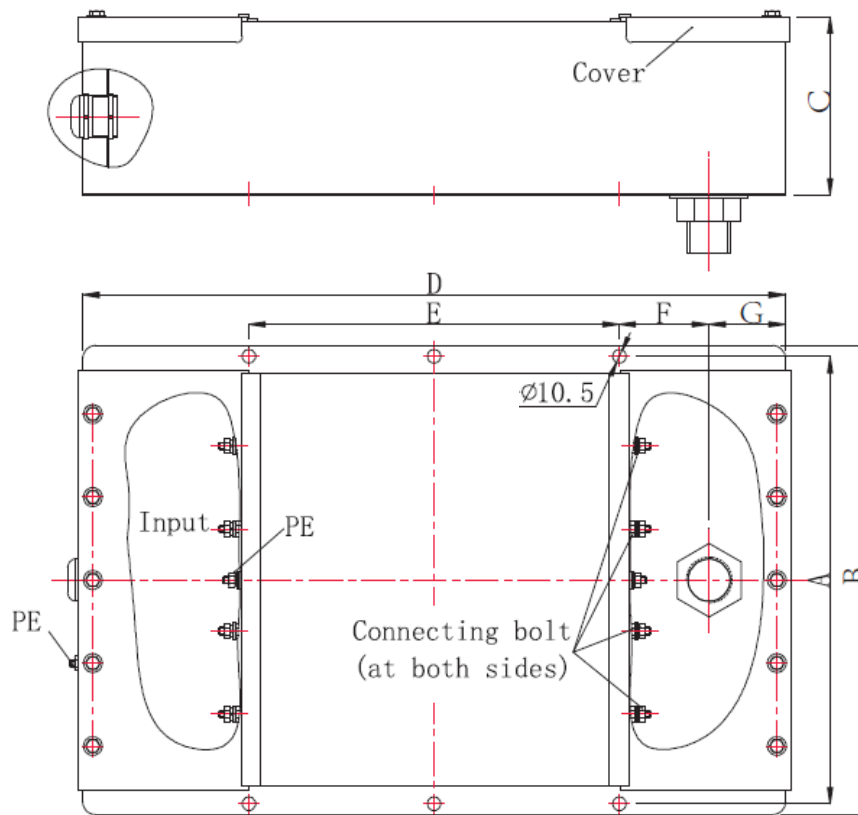




Diagram 3



✧ AVAILABLE DIMENSIONS (mm)

TYPE	A	B	C	D	E	F	G	PENETRATION	OUTLINE DRAWING
U82C2x16	188	205	120	750	450	110	80	M24 conduit screw	1
U82C2x32									
U82C2x63	188	205	140	920	620	110	80	M33 conduit screw	1
U82C2x100	288	305	180	1180	800	110	80	M60 conduit screw	1
U82C2x150									
U82C4x16	288	305	120	750	450	110	80	M33 conduit screw	4
U82C4x32									
U82C4x63	348	365	140	920	620	110	80	M33 conduit screw	4
U82C4x100	348	365	180	1480	1000	160	80	M60 conduit screw	4
U82C4x150									
U82C1x200	253	270	240	1330	800	185	80	M60 conduit screw	2

- All filter dimensions can be adjusted according to customer requirements. For more details, please contact our technical department.