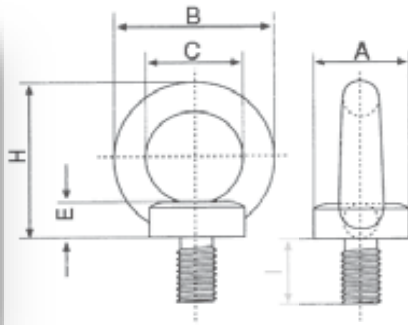


# Eye Bolts and - Nuts

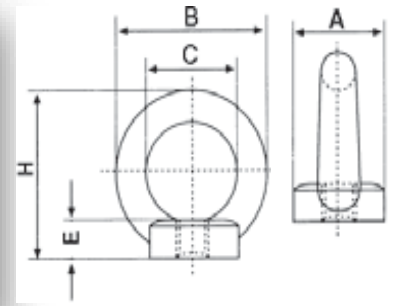
## Eye Bolts

Drop forged



## Eye Nuts

Drop forged



Size	Work Load Limit	A	B	C	I	E	H	Weight
[mm]	[t]	[mm]	[mm]	[mm]	[mm]	[mm]	[mm]	[kg/100pcs]
6	0.07	17	28	16	13	6	34	3.0
8	0.14	20	36	20	13	6	36	6.0
10	0.23	25	45	25	17	8	45	10.3
12	0.34	30	54	30	20.5	10	53	17.7
14	0.49	35	63	35	27	12	60	27.7
16	0.70	35	63	35	27	12	60	28.0
20	1.2	40	72	40	30	14	71	42.4
22	1.5	45	81	45	35	14	80	67.0
24	1.8	50	90	50	36	18	90	83.4
30	3.6	65	108	60	45	22	109	166
36	5.1	75	126	70	54	26	128	265
42	7.0	85	144	80	63	30	147	403
45	8.0	85	144	80	63	30	150	521
48	8.6	100	166	90	68	35	168	632

Size	Work Load Limit	A	B	C	E	H	Weight
[mm]	[t]	[mm]	[mm]	[mm]	[mm]	[mm]	[kg/100pcs]
6	0.07	20	36	20	8.5	34	4.2
8	0.14	20	36	20	8.5	36	5.2
10	0.23	25	45	25	10	45	9.4
12	0.34	30	54	30	11	53	16.0
16	0.7	35	63	35	13	62	24.0
20	1.2	40	72	40	16	71	35.2
22	1.5	45	81	45	18	80	58.0
24	1.8	50	90	50	20	90	70.6
30	3.6	65	108	60	25	109	132.0
33	4.3	65	108	60	25	110	170.0
36	5.1	75	126	70	30	128	208.0
39	6.1	75	126	70	30	130	260.0
42	7.0	85	144	80	35	147	311.0
45	8.0	85	144	80	35	150	407.0
48	8.6	100	166	90	40	168	502.0

# Eye Bolts

Stainless steel

Size	Work Load Limit	A	B	C	I	E	H	Weight
[mm]	[t]	[mm]	[mm]	[mm]	[mm]	[mm]	[mm]	[kg/100pcs]
6	0.07	17	28	16	13	6	34	3.0
8	0.14	20	36	20	13	6	36	6.0
10	0.23	25	45	25	17	8	45	10.3
12	0.34	30	54	30	20.5	10	53	17.7
14	0.49	35	63	35	27	12	60	27.7
16	0.70	35	63	35	27	12	62	28.0
20	1.2	40	72	40	30	14	71	42.4
22	1.5	45	81	45	35	14	80	67.0
24	1.8	50	90	50	36	18	90	83.4



# Eye Nuts

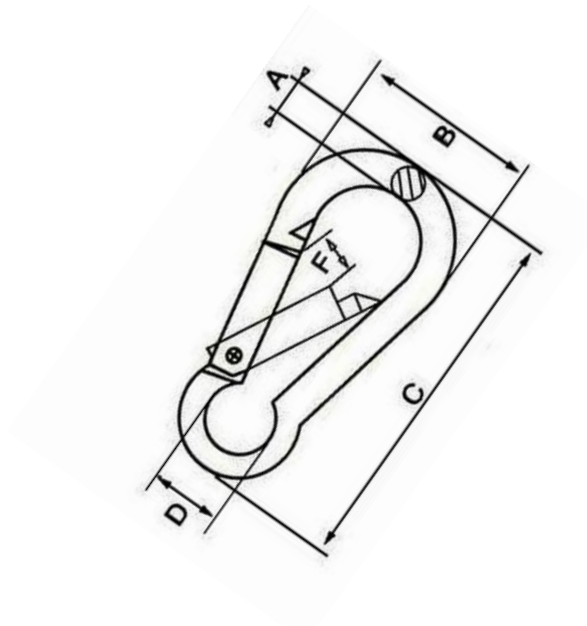
Stainless steel

Size	Work Load Limit	A	B	C	E	H	Weight
[mm]	[t]	[mm]	[mm]	[mm]	[mm]	[mm]	[kg/100pcs]
6	0.07	20	36	20	8.5	34	4.2
8	0.14	20	36	20	8.5	36	5.2
10	0.23	25	45	25	10	45	9.4
12	0.34	30	54	30	11	53	16.0
16	0.7	35	63	35	13	62	24.0
20	1.2	40	72	40	16	71	35.2
22	1.5	45	81	45	18	80	58.0
24	1.8	50	90	50	20	90	70.6



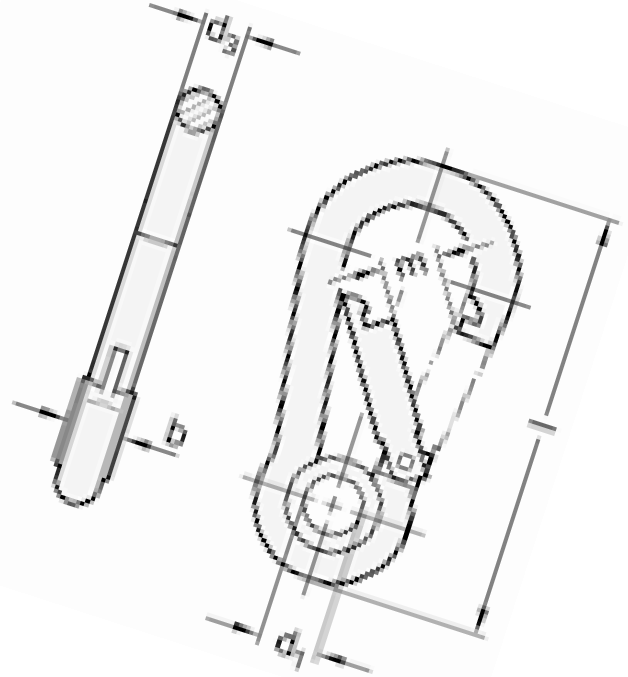
# Carabine hooks

Carabine hook



Size	A	B	C	D	F
	mm	mm	mm	mm	mm
4x40	4	19.6	40.42	5.68	5.90
5x50	5	24.8	49.98	7.84	7.14
6x60	6	30.12	61.44	9.90	9.96
7x70	7	34.64	70.00	10.14	9.84
8x80	8	40.12	81.02	12.30	12.00
9x90	9	45.10	89.90	14.60	13.00

## Carabine hook with insert



Size	A	B	C	D	F
	mm	mm	mm	mm	mm
4x40	4	19.6	40.42	5.68	5.90
5x50	5	24.8	49.98	7.84	7.14
6x60	6	30.12	61.44	9.90	9.96
7x70	7	34.64	70.00	10.14	9.84
8x80	8	40.12	81.02	12.30	12.00
9x90	9	45.10	89.90	14.60	13.00

# Quick Links



$\varnothing$ (mm)	OUTSIDE LENGTH (mm)
3	28
5	56
6	58
7	64
8	76
10	92



# Rigging Screws



JAW-EYE

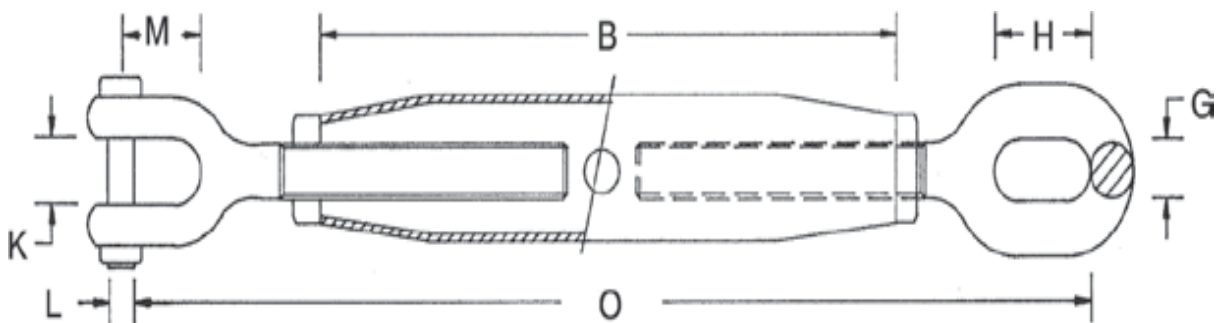


EYE-EYE



JAW-JAW

Thread Ø	WorkLoad Limit	BodyL. engthB	Approx. Take-up	OvalEye InsideLengt hH	OvalEyeInsi deWid thK	JawInsi deLen gthM	JawIn sideWid thK	EyeMateri al Ø G	JawPin Ø L	LengthI n O	Length OutO	Weight
[mm]	[t]	[t]	[mm]	[mm]	[mm]	[mm]	[mm]	[mm]	[mm]	[mm]	[mm]	[kg]
10	0.5	123	80	13	13	21	10	8	8	235	315	0.28
12	0.7	193	130	29	14	25	12	11	10	330	462	0.66
16	1.2	230	140	40	16	32	17	15	10	410	550	1.20
20	1.5	230	140	50	21	37	19	17	16	440	580	2.15
22	2.2	295	215	50	23	43	24	17	20	535	750	3.30
24	3.2	350	240	55	24	52	28	17	18	610	850	5.20
32	4.8	370	260	64	30	62	31	20	26	700	960	9.35
38	6	410	280	64	35	70	36	22	32	740	1020	11.20
51	11	420	310	100	44	100	53	38	39	800	1110	22.00



# Turnbuckles

Galvanised



Dimensions	Eye/Eye		Hook/Eye	
	LengthInA	LengthOut B	LengthInA	LengthOutB
[mm]	[mm]	[mm]	[mm]	[mm]
M6 × 110	147	227	155	235
M8 × 110	147	221	158	237
M10 × 125	176	276	182	255
M12 × 125	189	273	201	285
M14 × 140	213	313	221	321
M16 × 170	252	368	259	377
M20 × 200	292	432	307	445
M22 × 220	325	479	342	496
M24 × 255	360	544	377	561
M30 × 255	378	552	391	570
M33 × 295	424	618	449	638
M36 × 295	438	642	466	670
M39 × 330	494	714	512	732
M42 × 330	508	718	569	799
M48 × 355	581	791	638	853



# CONTAINER LIFTING LUGS

**Container Lifting Lugs** - designed for the lifting purposes of containers. Supplied in either an angled left or right configurations.





# HAND SWAGER

**Hand Swager** is a tool to produce rigging wire rope with ARM aluminum oval sleeves. Hanging strength of swaged sleeves and wires are highly guaranteed

